

Installation Instructions



AUTO VENT SHADE™

Bugflector® - Bugflector II® - Carflector®

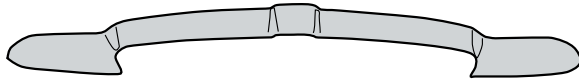
Important Safety Information



- CAUTION - Before driving, ensure that the hood shield is properly secured to vehicle.
- Do not use automatic "brush-style" car washes.
- Do not use cleaning solvents of any kind.
- Periodically check all components for tightness.

Contents

NOTE: Actual product may vary from illustration.



Hood shield



Bump On
x4

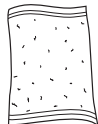


Alcohol
Pad x2

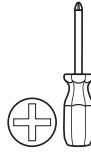
Tools Required



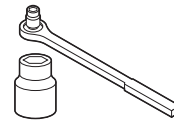
Car Wash Supplies



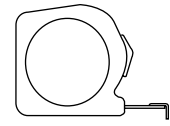
Clean Towel



Phillips
screwdriver



Socket
wrench



Tape measure

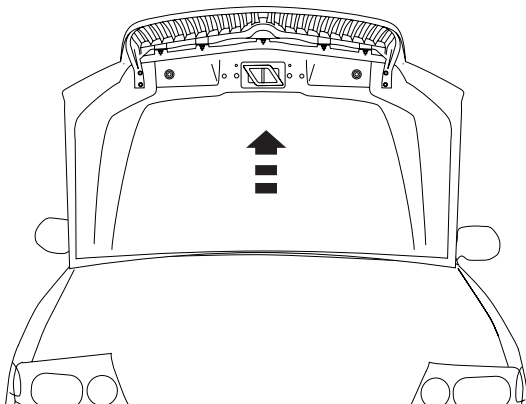
Preparation Before Painting / Installation

- A trial fit is recommended to ensure proper positioning and fit.
- Check fit of parts before painting as we will not accept the return of modified or painted parts.
- Wash and dry your vehicle to remove any debris and/or dirt from the installation area.

Installation Steps

NOTE: Actual application may vary slightly from illustrations.

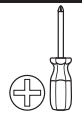
Open hood.



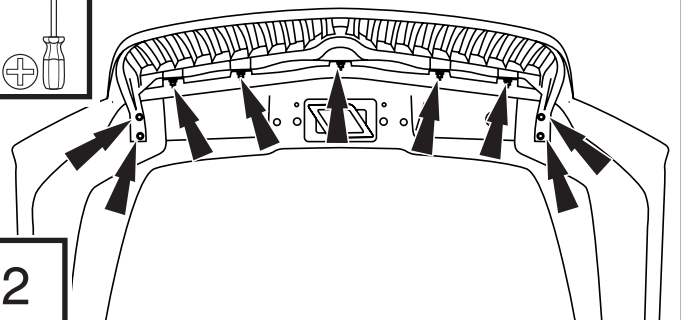
1



Loosen (5) nuts and (4) screws that attach grill to hood.

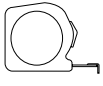


2

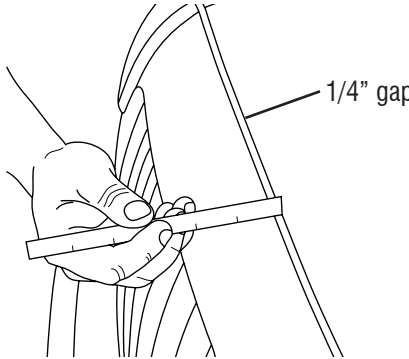


Installation Steps

NOTE: Actual application may vary slightly from illustrations.




Lower hood, and create a 1/4" (.64 cm) gap between the grill and the hood.

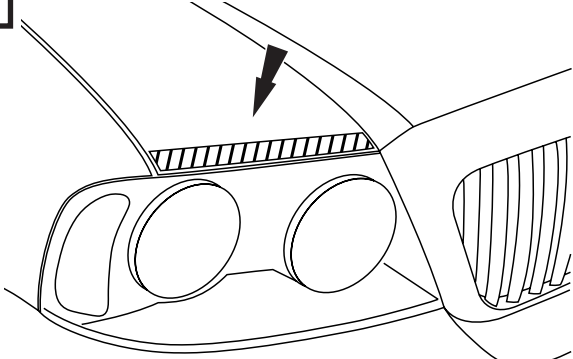


1/4" gap

3

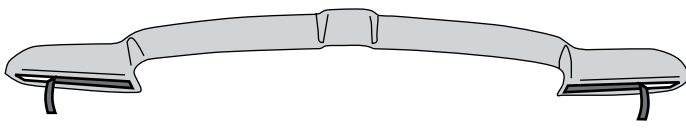


Clean the tape mounting locations on both ends of the hood with an alcohol pad.




4

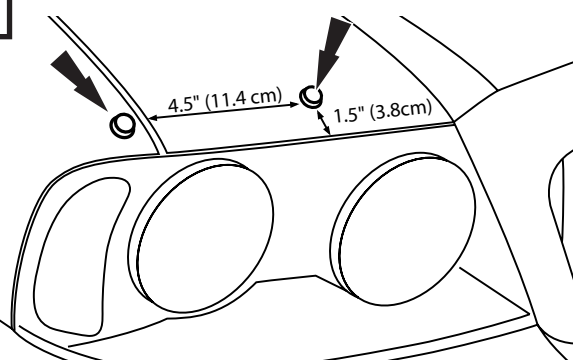
Expose 2" (5 cm) of tape liner from each end of the flanges on the hood shield.



5



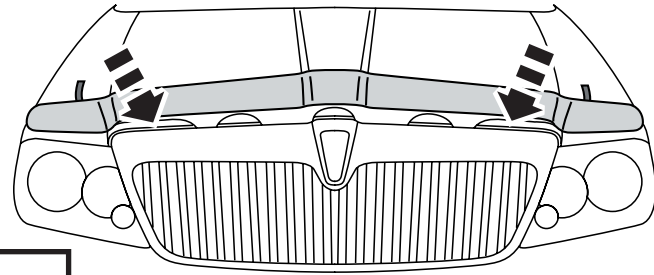
Install bump ons at pre-cleaned locations on both sides of the hood and front fenders.



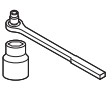
4.5" (11.4 cm)
1.5" (3.8 cm)

6

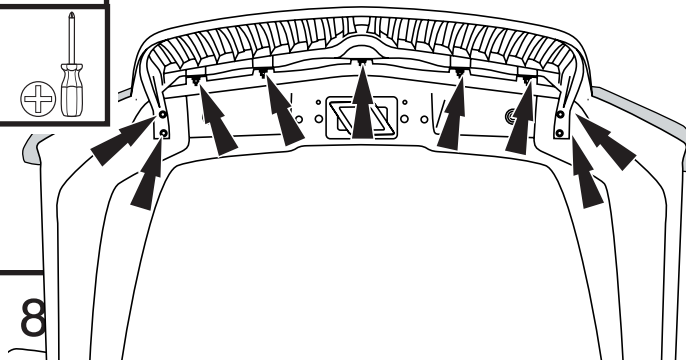
Align the hood shield center point with the center of hood. Slide hood shield into created gap between grill and hood. Press on exposed tape to secure position.



7

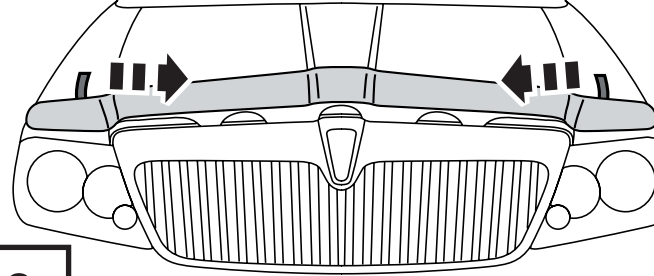


Raise hood and retighten the (5) grill nuts and (4) grill screws.




8

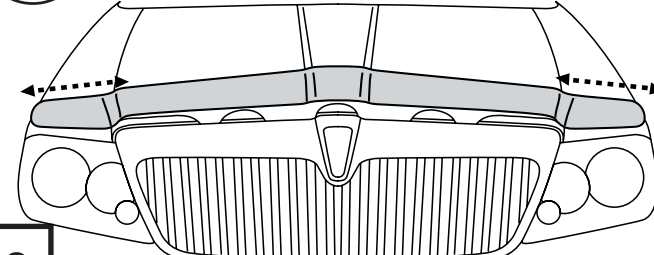
With the hood shield in its final position, remove the remaining tape liner by pulling on free ends.



9



Apply pressure to taped areas to ensure adhesion.



10

Care and Cleaning

- Wash only with mild soap & dry with a clean cloth.

Congratulations!

You have purchased one of the many quality Auto Ventshade™ branded products offered by Lund International, Inc. We take the utmost pride in our products and want you to enjoy years of satisfaction from your investment. We have made every effort to ensure that your product is top quality in terms of fit, durability, finish and ease of installation.



When it comes to quality stone and bug deflectors, AVS is the brand you can depend on.