

# Installation Instructions



## Bugflector® - Bugflector II® - Carflector®

### Important Safety Information



- CAUTION - Before driving, ensure that the hood shield is properly secured to vehicle.
- Do not use automatic "brush-style" car washes.
- Do not use cleaning solvents of any kind.
- Periodically check all components for tightness.

### Contents **NOTE:** Actual product may vary from illustration.



Hood shield



Fender Protector x2



Bump On x2

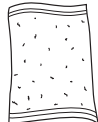


Screw x4

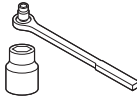
### Tools Required



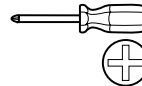
Car Wash Supplies



Clean Towel



Socket Wrench



Phillips head screwdriver



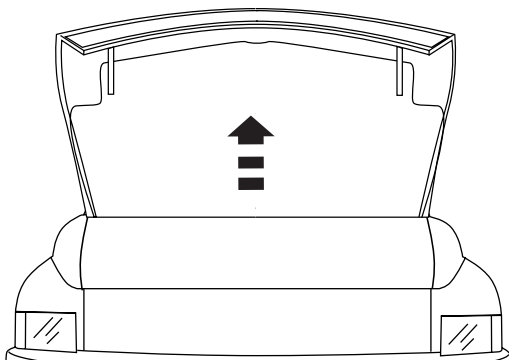
Measuring tape

### Preparation Before Painting / Installation

- A trial fit is recommended to ensure proper positioning and fit.
- Check fit of parts before painting as we will not accept the return of modified or painted parts.
- Wash and dry your vehicle to remove any debris and/or dirt from the installation area.

### Installation Steps **NOTE:** Actual application may vary slightly from illustrations.

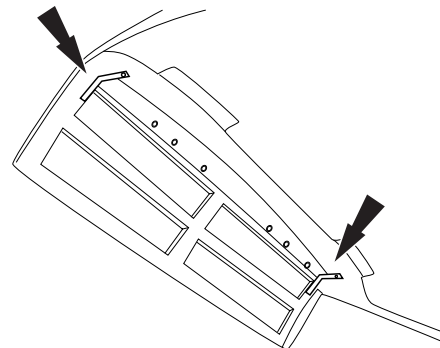
Open hood.



1



Locate the black frame that attaches to grill. Remove (4) hex screws that attaches the frame to the underside hood.



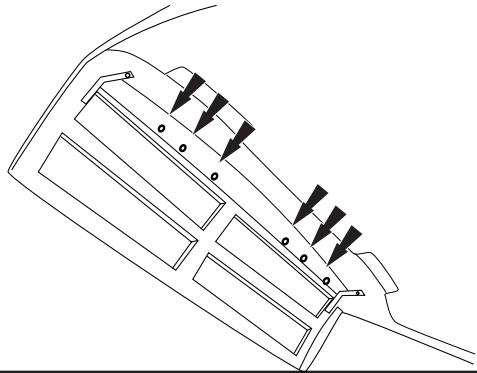
2

# Installation Steps

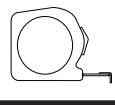
**NOTE:** Actual application may vary slightly from illustrations.



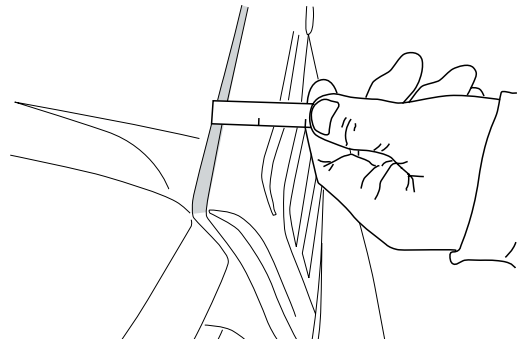
Locate the hex screw studs along the underside that attaches the top of the grill to the hood. Loosen, but do not totally remove the screws.



3

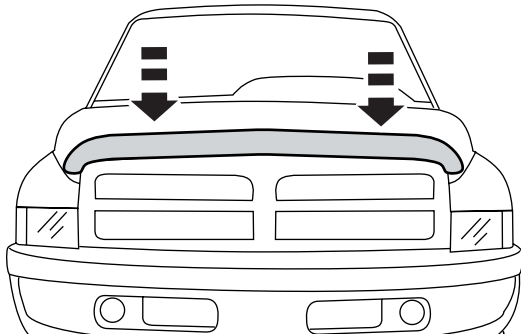


Lower the hood, and pivot the grill forward to create a 1/8" (.32 cm) gap between hood and grill.



4

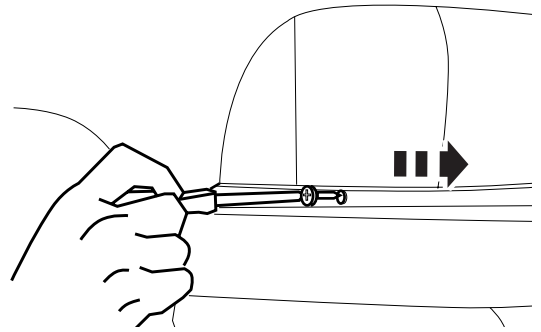
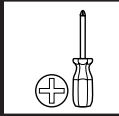
Slide the hood shield between the hood and grill and center. Replace and retighten previously loosened hex screws.



5

## Fender Protector Installation

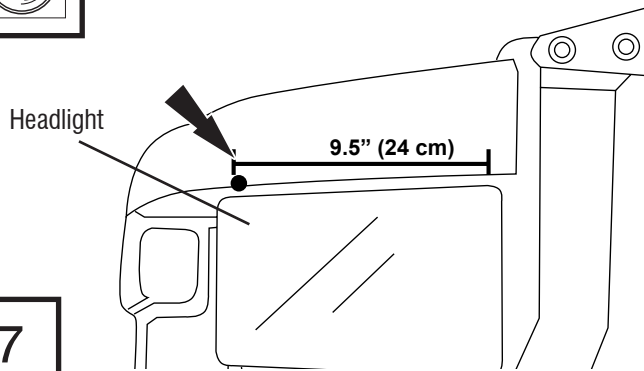
Remove side marker light by removing the (1) screw directly underneath the light and sliding light forward..



6

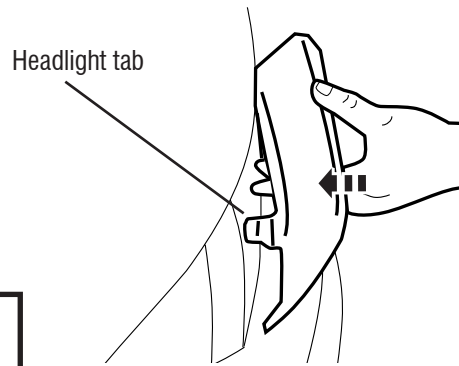


Place (1) bump-on on the leading edge of the fender above headlight 9.5" from edge of grill.



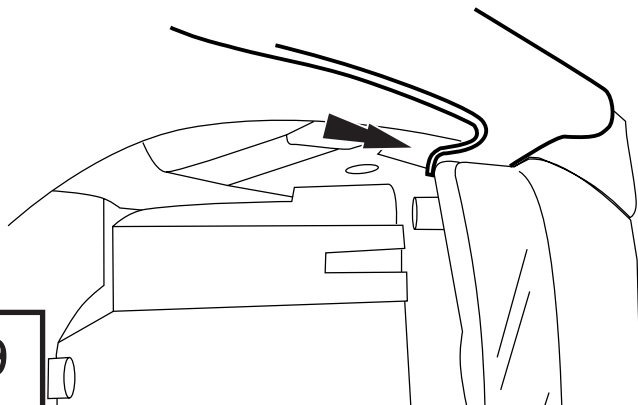
7

Slide the headlight tab behind the main headlight assembly.



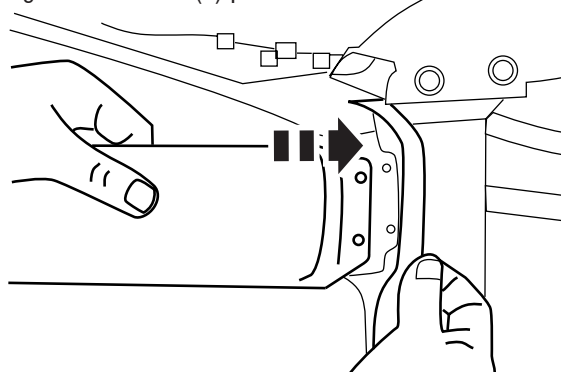
8

Tab should be positioned snugly behind headlight assembly.



9

It is necessary to expose the sheet metal flange of the hood by releasing the rubber seal nearest the grill. Discard the (2) plastic fasteners.



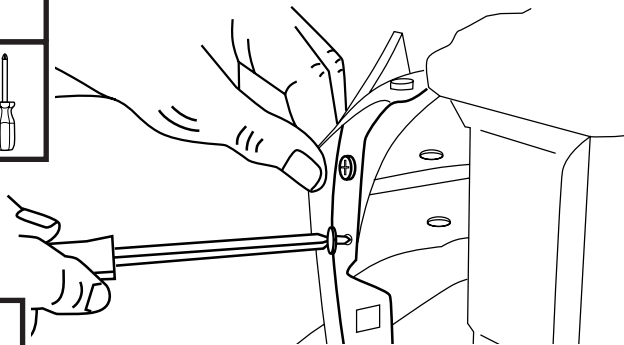
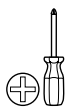
10

## Installation Steps

**NOTE:** Actual application may vary slightly from illustrations.

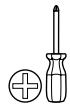


Secure rubber seal and deflector to sheet metal flange using self tapping screws.

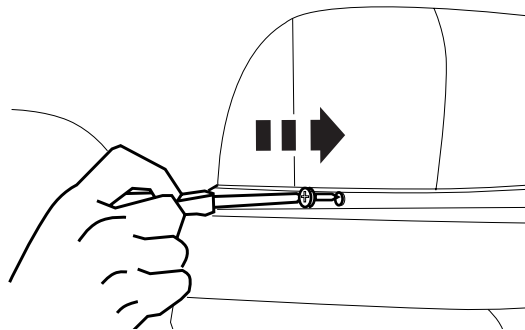


11

**NOTE:** Do not overtighten



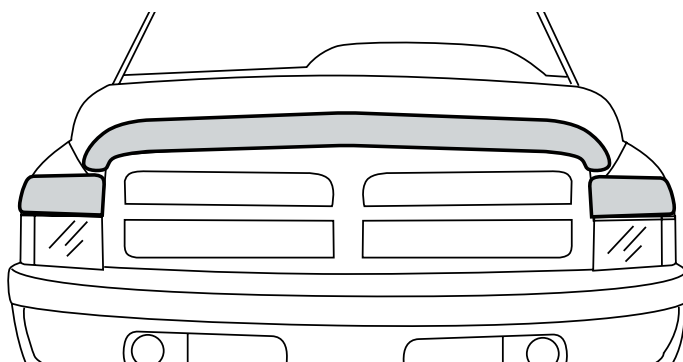
Replace side marker light and secure with previously removed screw.



12

Repeat procedure for opposite side.

13



## Care and Cleaning

- Wash only with mild soap & dry with a clean cloth.

## Congratulations!

You have purchased one of the many quality Auto Ventshade™ branded products offered by Lund International, Inc. We take the utmost pride in our products and want you to enjoy years of satisfaction from your investment. We have made every effort to ensure that your product is top quality in terms of fit, durability, finish and ease of installation.



Check out the collection of stone and bug deflectors we offer.