

Installation Instructions



Bugflector® - Bugflector II® - Carflector® - Chrome Hood Shield™

Important Safety Information



- CAUTION - Before driving, ensure that the hood shield is properly anchored to vehicle.
- Do not use automatic "brush-style" car washes.
- Do not use cleaning solvents of any kind.
- Periodically check all components for tightness.

Contents **NOTE:** Actual product may vary from illustration.



Hood shield



Screw x4



Washer x4



Hood shield
Insert x4



Fastener
Assembly
x4

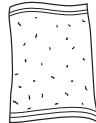


Bump On x4

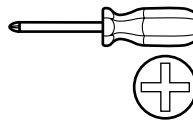
Tools Required



Car Wash Supplies



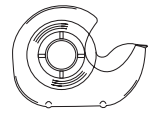
Clean Towel



Phillips screw-
driver



Grease pencil



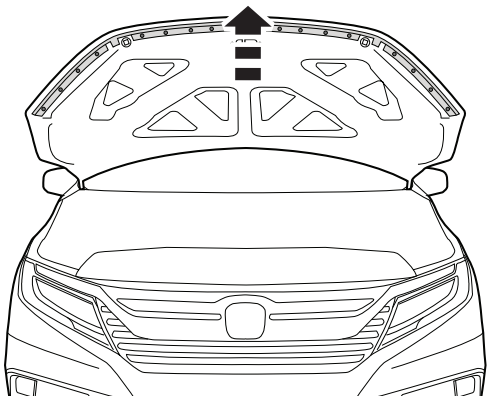
Tape

Preparation Before Painting / Installation

- A trial fit is recommended to ensure proper positioning and fit.
- Check fit of parts before painting as we will not accept the return of modified or painted parts.
- Wash your vehicle's hood to remove any debris and/or dirt.
- Dry the hood with a clean towel.

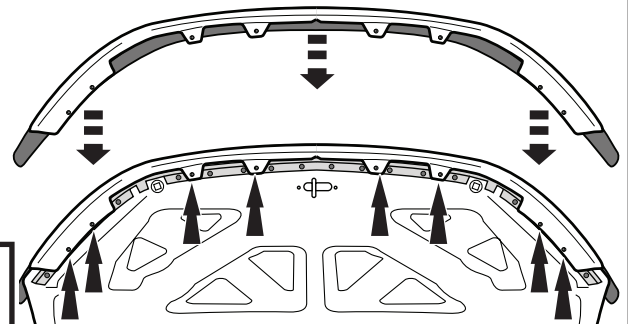
Installation Steps **NOTE:** Actual application may vary slightly from illustrations.

Raise hood.



1

Test fit hood shield in place. Note where hood shield flanges align with the factory installed weatherstrip in (8) locations. Mark all locations with a grease pencil. Remove hood shield.



2

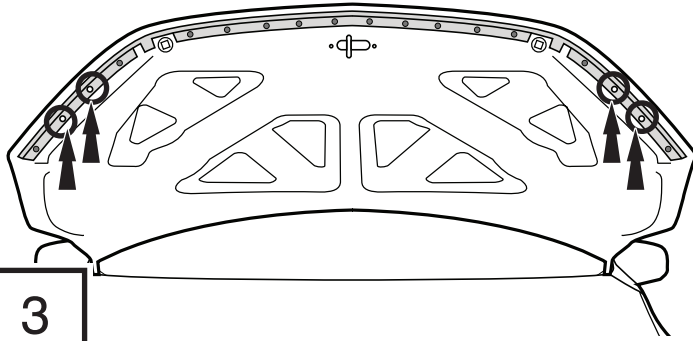
Installation Steps

NOTE: Actual application may vary slightly from illustrations.

Remove the weatherstrip retainers at the locations indicated to expose holes in hood.

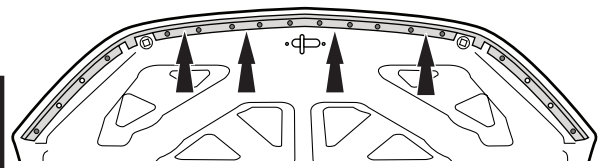
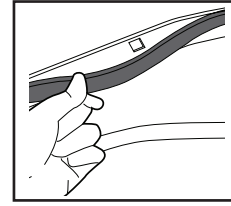


NOTE: Use caution not to damage weatherstrip.



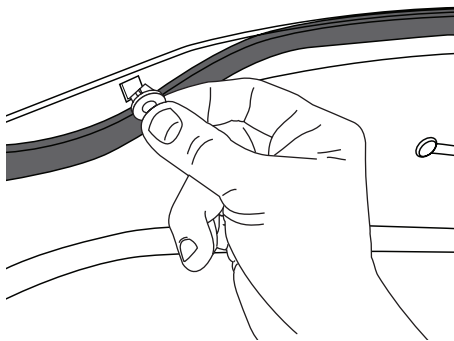
3

Carefully lift the weatherstrip away from the hood surface at the center (4) INBOARD locations indicated to expose square holes in hood.



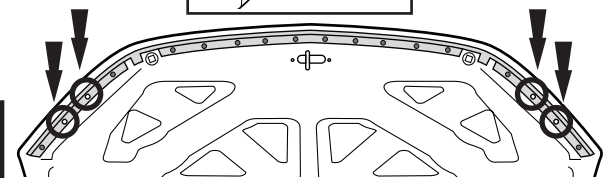
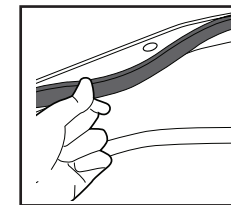
4

Press (4) hood inserts into the (4) exposed square holes. If necessary use tape to hold them firmly in place.



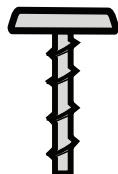
5

Carefully lift the weatherstrip away from the hood surface at the (4) OUTBOARD locations indicated to expose holes in hood.

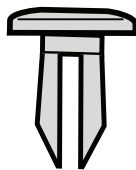


6

Separate Fastener Assembly into two pieces.



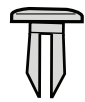
male portion



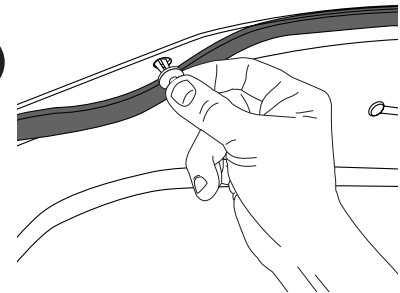
female portion

7

Press the female portion of the Fastener Assembly into the (4) exposed holes. If necessary use tape to hold them firmly in place.

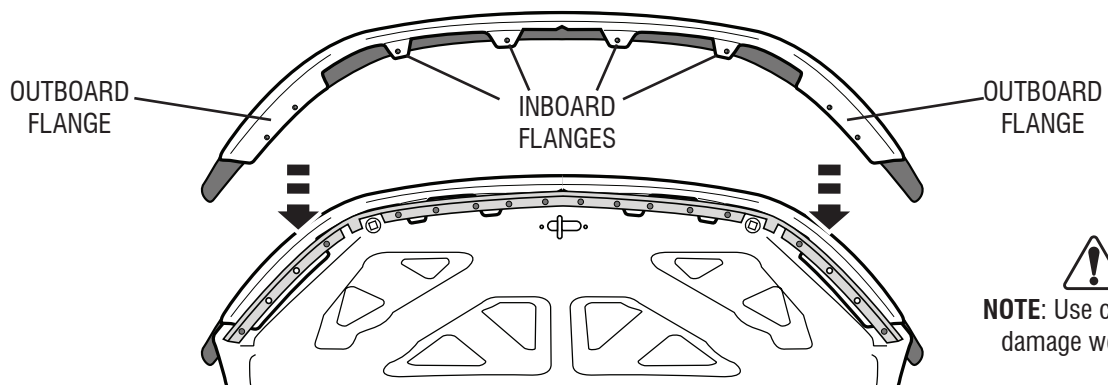


4x



8

Reinstall hood shield on hood. Carefully slide all flanges **underneath** weatherstrip.



9



NOTE: Use caution not to damage weatherstrip.

Installation Steps **NOTE:** Actual application may vary slightly from illustrations.

10

Place a washer over a screw and insert through hood shield, hood shield insert, and into hood at each of the (4) center INBOARD locations. Tighten screws.

NOTE: DO NOT OVER TIGHTEN

NOTE: Use caution not to damage weatherstrip.

11

Insert the male portion of the Fastener Assembly into the female portion at each of the (4) OUTBOARD locations. Tighten fasteners.

NOTE: DO NOT OVER TIGHTEN

NOTE: Use caution not to damage weatherstrip.

12

Close hood.

13

Apply bump ons to surface of hood.

Care and Cleaning

- Wash only with mild soap & dry with a clean cloth.

Congratulations!

You have purchased one of the many quality Auto Ventshade™ branded products offered by Lund International, Inc. We take the utmost pride in our products and want you to enjoy years of satisfaction from your investment. We have made every effort to ensure that your product is top quality in terms of fit, durability, finish and ease of installation.



Rely on premium stone and bug deflectors by AVS if you're looking for quality and efficiency.