

Installation Instructions



Bugflector[®] - Bugflector II[®] - Carflector[®] - Chrome Hood Shield[™]

Important Safety Information



- CAUTION - Before driving, ensure that the hood shield is properly anchored to vehicle.
- Do not use automatic "brush-style" car washes.
- Do not use cleaning solvents of any kind.
- Periodically check all components for tightness.

Contents NOTE: Actual product may vary from illustration.



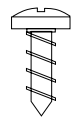
Hood Shield



Bump On
x4



Washer x6
(98022)



Screws x6
(98023)

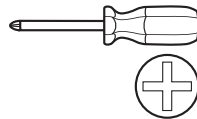
Tools Required



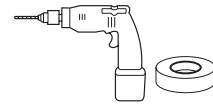
Car Wash Supplies



Clean Towel



Phillips Screwdriver



Drill with 1/8" bit
and 1/2" stop collar



Grease pencil

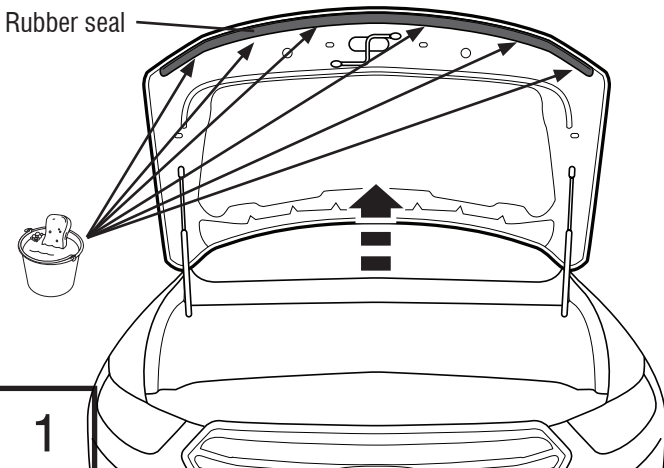
Preparation Before Painting / Installation

- A trial fit is recommended to ensure proper positioning and fit.
- Check fit of parts before painting as we will not accept the return of modified or painted parts.
- Wash your vehicle's hood to remove any debris and/or dirt.
- Dry the hood with a clean towel.
- Do NOT install hood shield if vehicle does NOT have a factory installed hood seal / gasket.

Installation Steps NOTE: Actual application may vary slightly from illustrations.

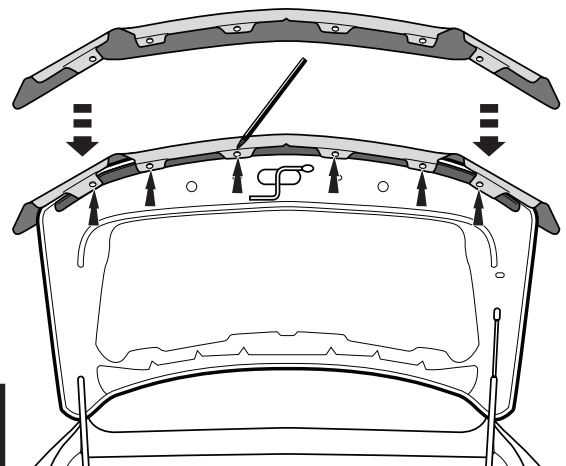
Open hood. Note the location of rubber seal on leading edge of hood. Use car wash supplies to clean the hood surface area underneath the rubber seal.

Rubber seal



1

Center hood shield in place on hood. Use a grease pencil to mark the locations on rubber seal that correspond to (6) holes on hood shield flange.

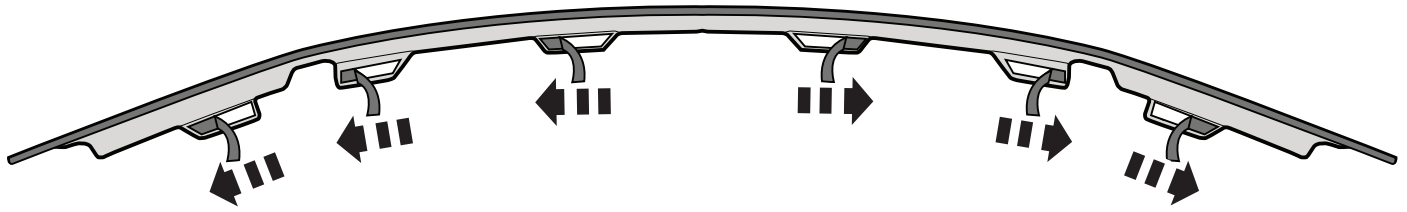


2

Installation Steps

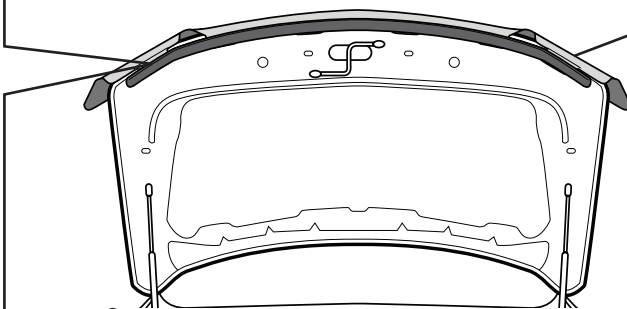
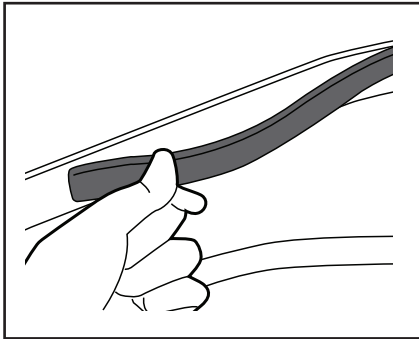
NOTE: Actual application may vary slightly from illustrations.

Remove red tape liner from (6) hood shield flanges to expose adhesive.



3

Reposition the hood shield on the hood with the flanges sliding **between** the hood and rubber seal. Firmly press adhesive tape to adhere hood shield to hood surface.



Hood shield flanges positioned **BETWEEN** rubber seal and hood.

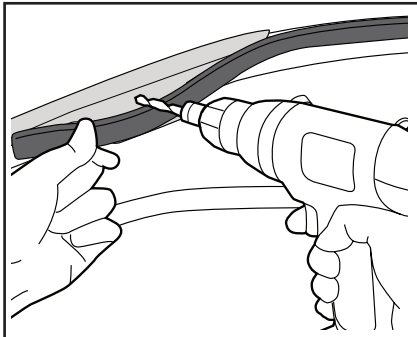
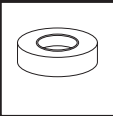
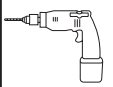
4



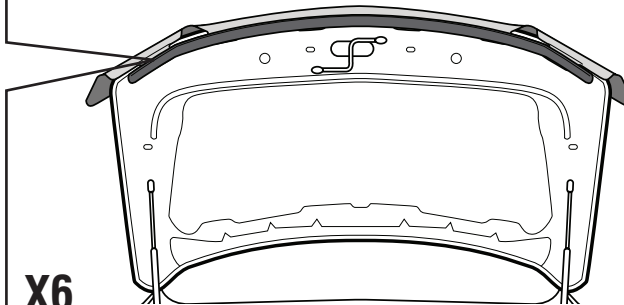
NOTE: Exercise extreme caution not to tear or damage the rubber seal when separating from hood.

Optional Screw Attachment

Use a drill with a 1/8" bit and a 1/2" stop collar to drill a pilot hole at each flange location. **NOTE:** Use caution not to drill through the opposite side of the hood!

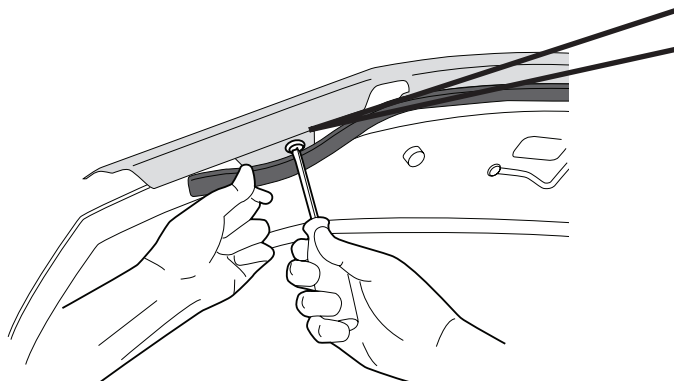
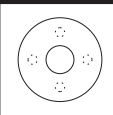
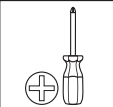


X6

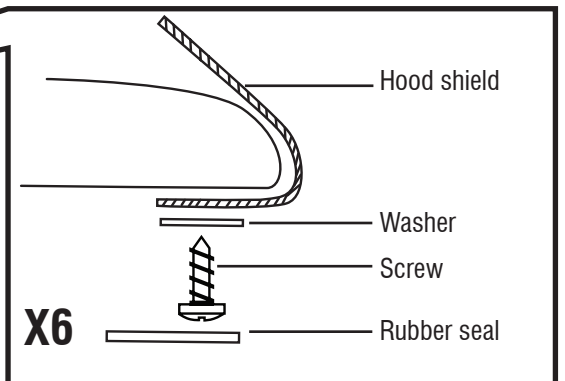


5

Install (1) screw with (1) washer through hood shield flange and into hood. Repeat for remaining locations.



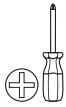
X6



6

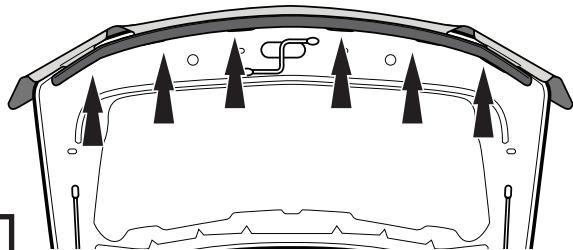
Installation Steps

NOTE: Actual application may vary slightly from illustrations.



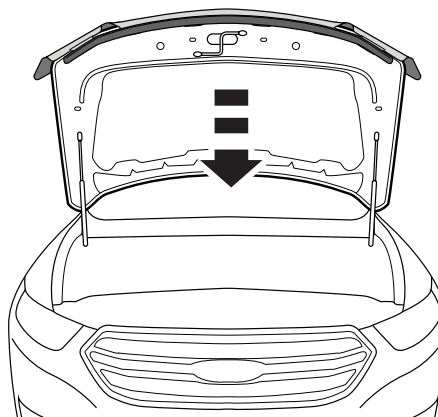
Tighten all (6) screws until snug to secure hood shield to hood.

X6



NOTE: DO NOT OVER TIGHTEN

Close Hood.

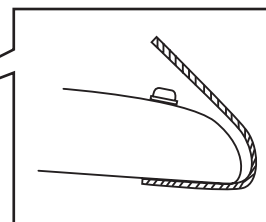
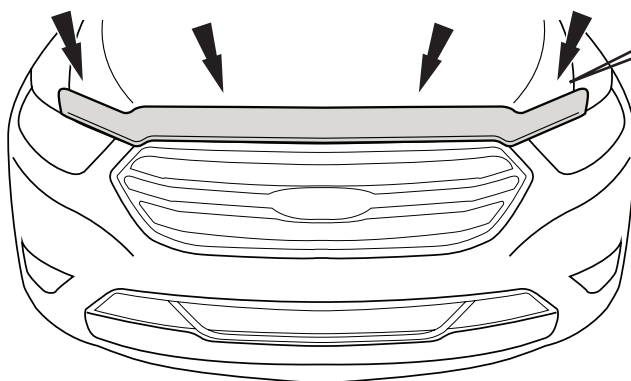


7

8



Apply bump ons to surface of hood



X4

9

Care and Cleaning

- Wash only with mild soap & dry with a clean cloth.

Congratulations!

You have purchased one of the many quality Auto Ventshade™ branded products offered by Lund International, Inc. We take the utmost pride in our products and want you to enjoy years of satisfaction from your investment. We have made every effort to ensure that your product is top quality in terms of fit, durability, finish and ease of installation.



Rely on premium stone and bug deflectors by AVS if you're looking for quality and efficiency.