

Installation Instructions



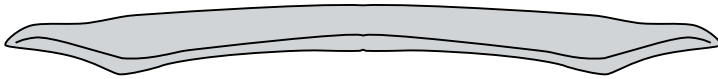
Bugflector® - Bugflector II® - Carflector®

Important Safety Information



- CAUTION - Before driving, ensure that the hood shield is properly secured to vehicle.
- Do not use automatic "brush-style" car washes.
- Do not use cleaning solvents of any kind.
- Periodically check all components for tightness.

Contents **NOTE:** Actual product may vary from illustration.



Hood shield



Bump On x4



Alcohol Pad x2

Tools Required



Car Wash Supplies



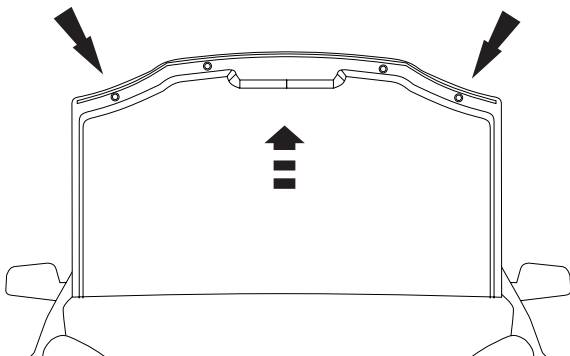
Clean Towel

Preparation Before Painting / Installation

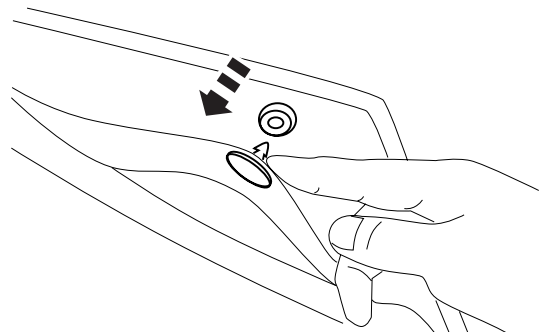
- A trial fit is recommended to ensure proper positioning and fit.
- Check fit of parts before painting as we will not accept the return of modified or painted parts.
- Wash and dry your vehicle to remove any debris and/or dirt from the installation area.

Installation Steps **NOTE:** Actual application may vary slightly from illustrations.

Raise hood, and locate (2) end fasteners attaching insulation pad to the underside of hood.



Pull the pad down to release the fasteners from hood.

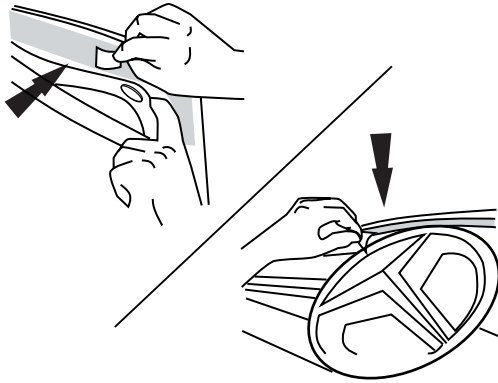


Installation Steps

NOTE: Actual application may vary slightly from illustrations.

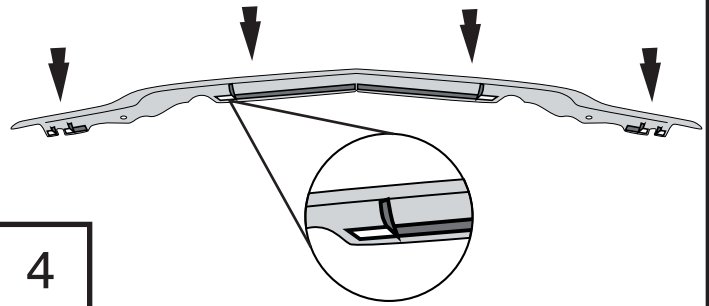
Alcohol Pad

Clean the area around holes and the flat mounting location above the mesh gill with alcohol pads.



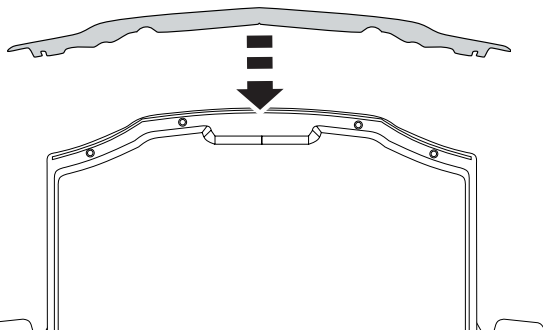
3

Expose 2" (5 cm) of tape liner from each end of the flanges on the hood shield.



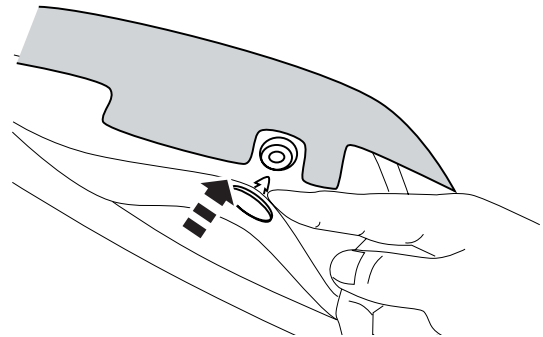
4

Align hood shield to center of hood. Press firmly on exposed tape to secure position.



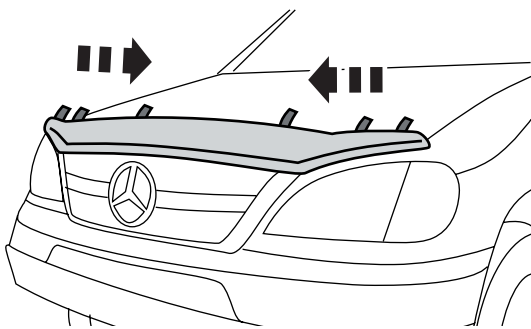
5

Align hood previously removed fasteners with slots in hood shield and holes in hood. Press firmly to reinstall fasteners.



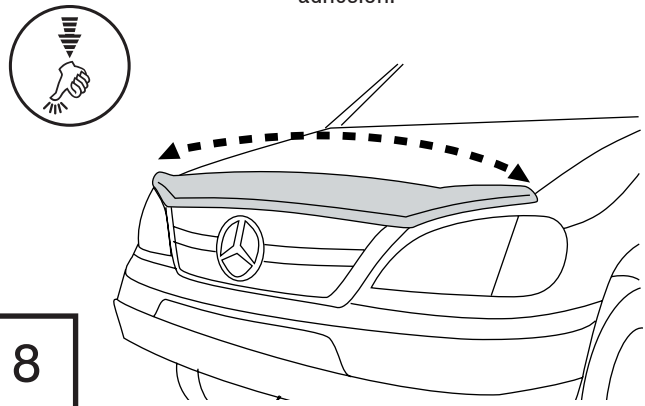
6

With hood shield in its final position, remove remaining tape liner by pulling on free ends.



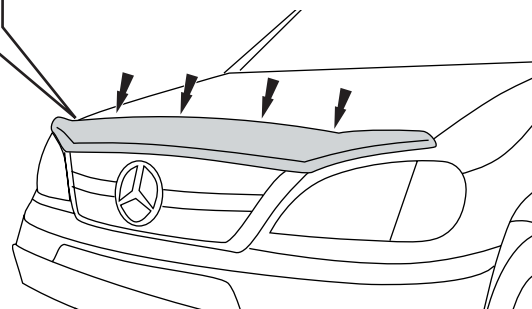
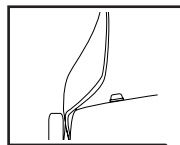
7

Apply firm pressure along all taped flanges to ensure adhesion.



8

Apply (4) bump ons to surface of hood.



9

Care and Cleaning

- Wash only with mild soap & dry with a clean cloth.

Congratulations!

You have purchased one of the many quality Auto Ventshade™ branded products offered by Lund International, Inc. We take the utmost pride in our products and want you to enjoy years of satisfaction from your investment. We have made every effort to ensure that your product is top quality in terms of fit, durability, finish and ease of installation.



When it comes to quality stone and bug deflectors, AVS is the brand you can depend on.