

Installation Instructions



Bugflector® - Bugflector II® - Carflector® - Chrome Hood Shield™

Important Safety Information



- CAUTION - Before driving, ensure that the hood shield is properly secured to vehicle.
- Do not use automatic "brush-style" car washes.
- Do not use cleaning solvents of any kind.
- Periodically check all components for tightness.

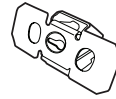
Contents **NOTE:** Actual product may vary from illustration.



Hood Shield



Fastener x4



Bracket x2



Screw x2



Washer x2



Bump On x4



Alcohol Pad

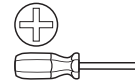
Tools Required



Car Wash Supplies



Clean Towel



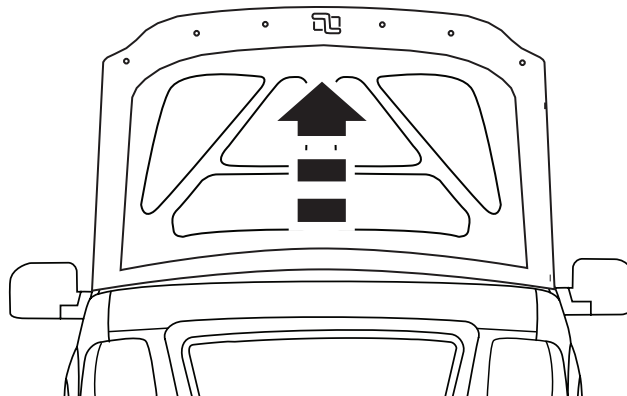
Phillips Screwdriver

Preparation Before Painting / Installation

- A trial fit is recommended to ensure proper positioning and fit.
- Check fit of parts before painting as we will not accept the return of modified or painted parts.
- Wash and dry your vehicle to remove any debris and/or dirt from the installation area.

Installation Steps **NOTE:** Actual application may vary slightly from illustrations.

Clean hood shield mounting location and raise hood.



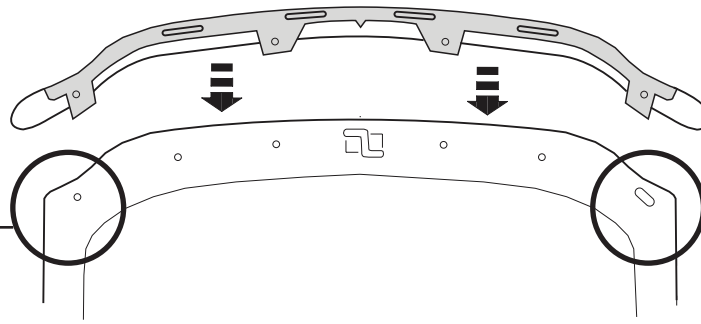
Installation Steps

NOTE: Actual application may vary slightly from drawings.

Center hood shield on hood and align with holes in hood. **If the two outboard mounting locations are round holes, proceed to Step 3.**

If the two outboard mounting locations are oval slots, proceed to Step 4.

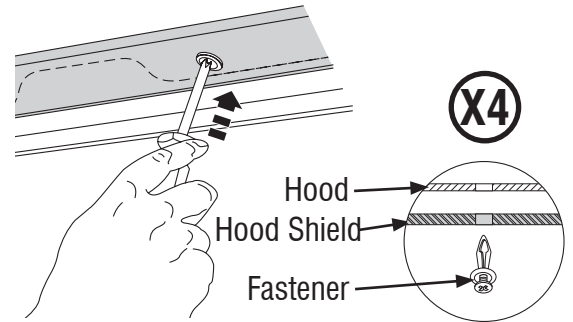
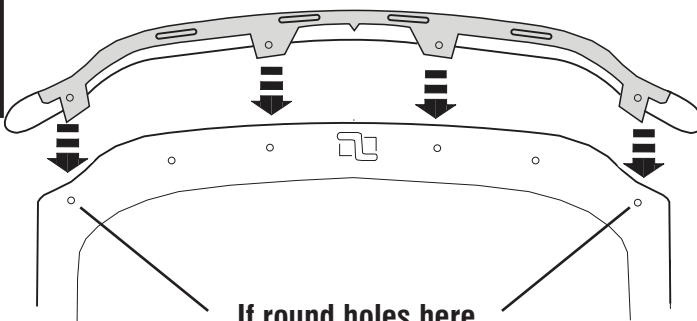
Outboard mounting location
(round hole shown)



Outboard mounting location
(oval slot shown)

2

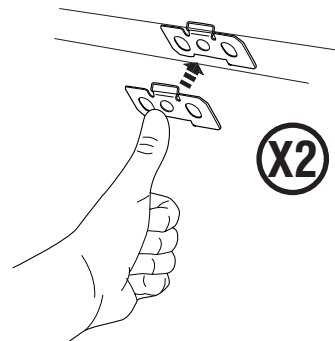
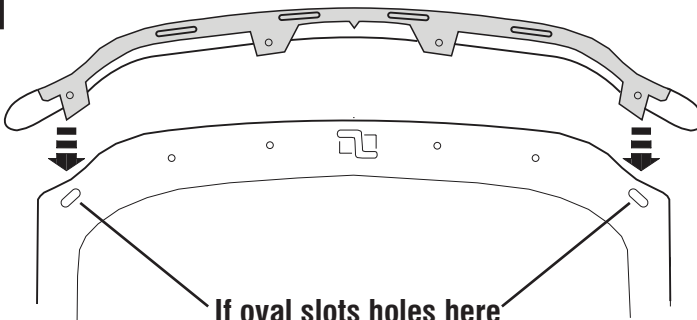
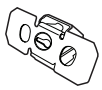
Attach hood shield to hood using (4) fasteners. Proceed to **Step 7.**



3

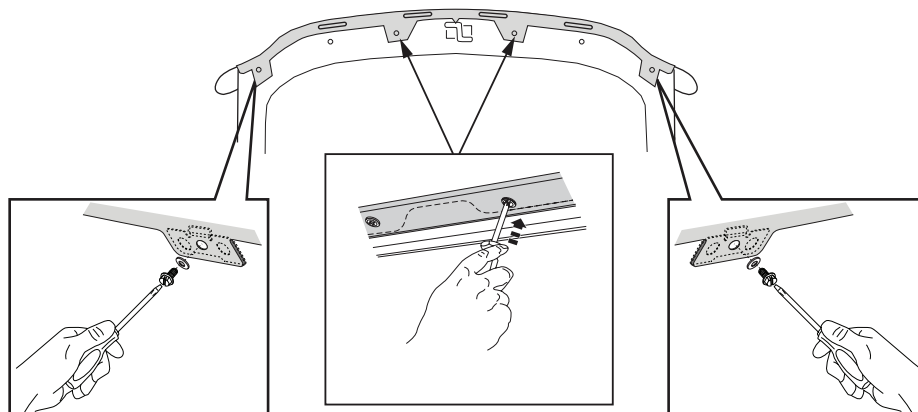
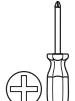
Do not over tighten!

Press a bracket into each **oval slot** mounting location prior to installing hood shield.



4

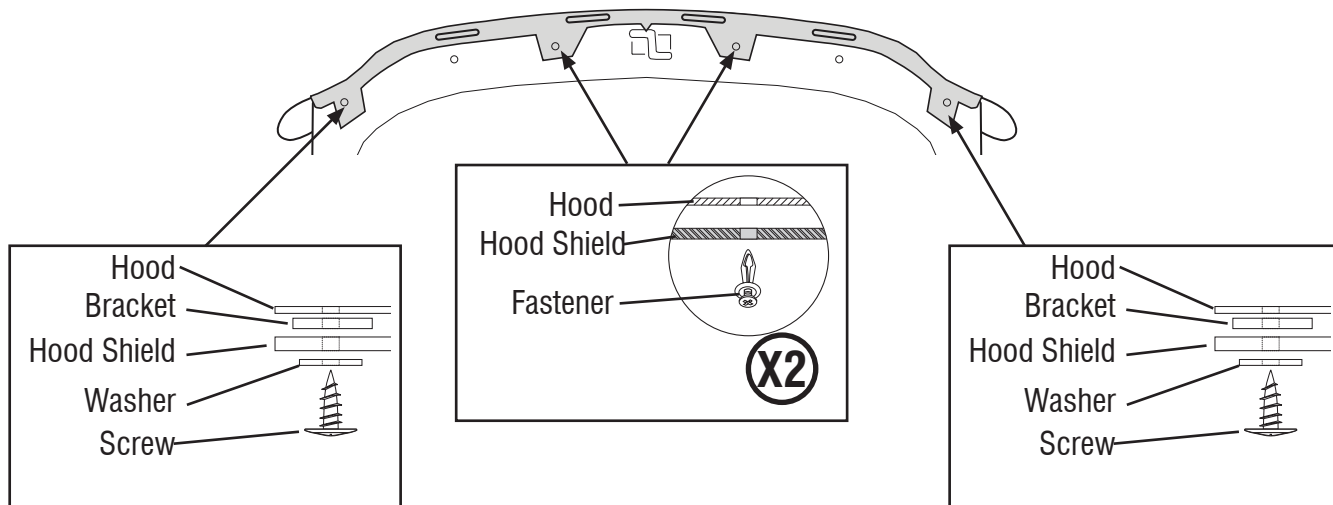
Attach hood shield to hood using (2) fasteners at center mounting locations, and (2) screws with washers at **outboard** mounting locations.



5

Installation Steps

NOTE: Actual application may vary slightly from drawings.

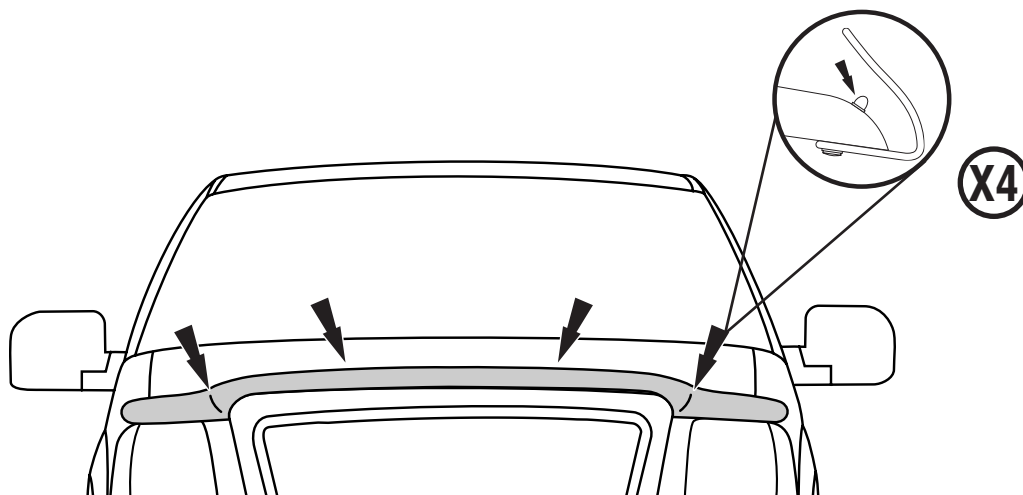


Do not over tighten!

6

Alcohol Pad

Lower hood. Clean hood surface with an alcohol pad, and apply (4) bump on's to hood surface.



7

Care and Cleaning

- Wash only with mild soap & dry with a clean cloth.

Congratulations!

You have purchased one of the many quality Auto Ventshade™ branded products offered by Lund International, Inc. We take the utmost pride in our products and want you to enjoy years of satisfaction from your investment. We have made every effort to ensure that your product is top quality in terms of fit, durability, finish and ease of installation.



When it comes to quality stone and bug deflectors, AVS is the brand you can depend on.