

Installation Instructions



Bugflector[®] - Bugflector II[®] - Carflector[®] - Chrome Hood Shield[™]

Important Safety Information



- CAUTION - Before driving, ensure that the hood shield is properly anchored to vehicle.
- Do not use automatic "brush-style" car washes.
- Do not use cleaning solvents of any kind.
- Periodically check all components for tightness.

Contents **NOTE:** Actual product may vary from illustration.



Hood Shield



Alcohol Pad x2



Fastener x2



Bump On x4

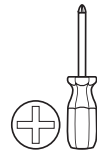
Tools Required



Car Wash Supplies



Clean Towel

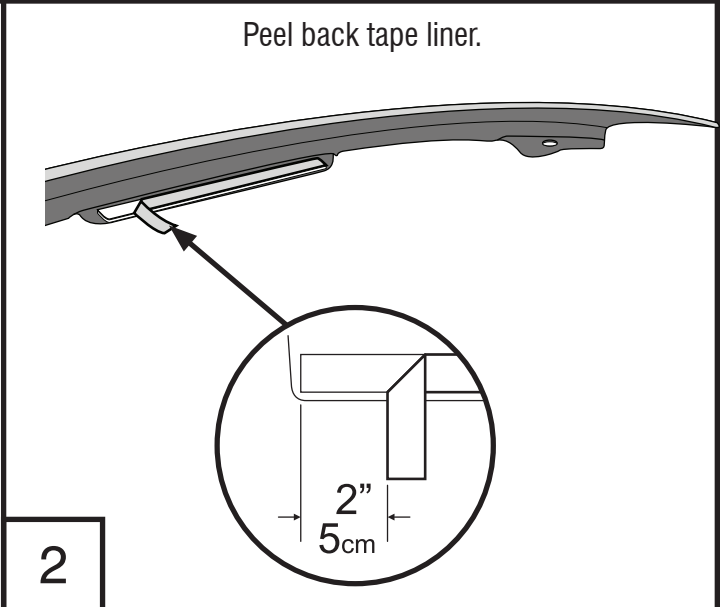
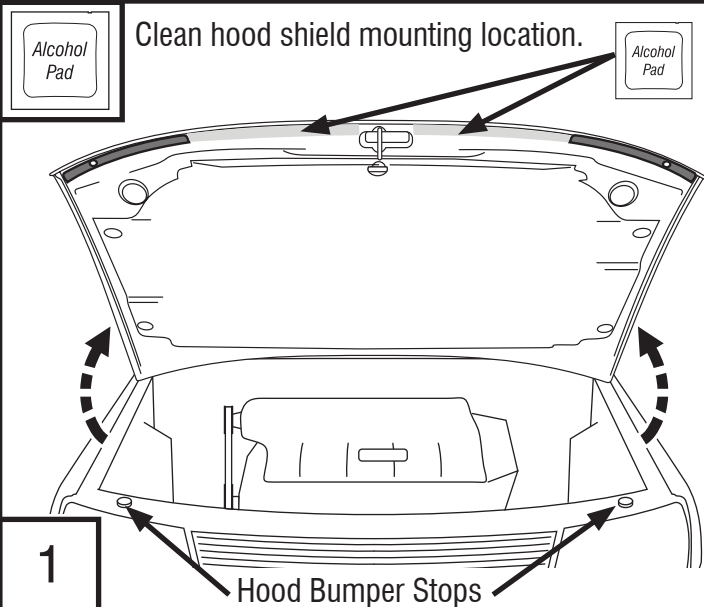


Phillips screwdriver

Preparation Before Painting / Installation

- A trial fit is recommended to ensure proper positioning and fit.
- Check fit of parts before painting as we will not accept the return of modified or painted parts.
- Wash your vehicle's hood to remove any debris and/or dirt.
- Dry the hood with a clean towel.

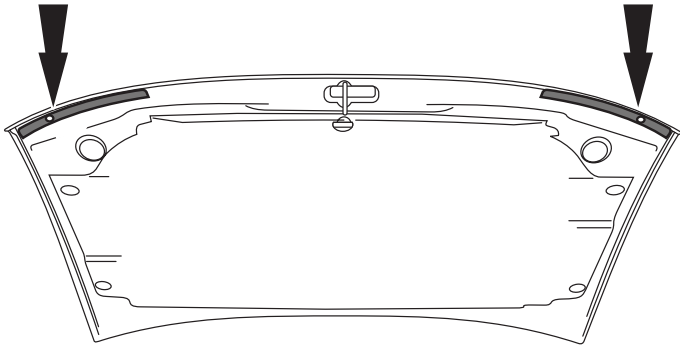
Installation Steps **NOTE:** Actual application may vary slightly from illustrations.



Installation Steps

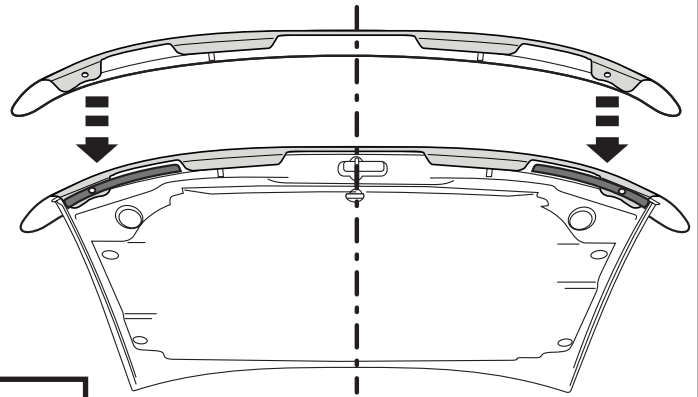
NOTE: Actual application may vary slightly from drawings.

Locate (2) fasteners that attach the rubber seal to the underside of the hood. Remove and discard.



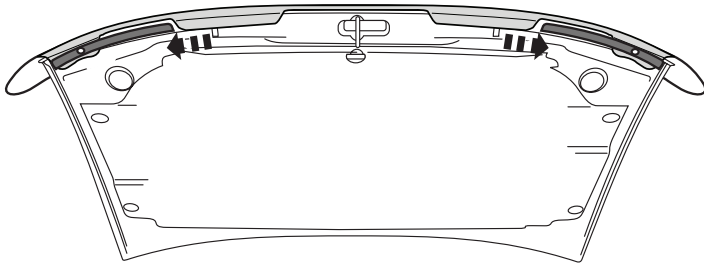
3

Position the hood shield with the tabs sliding between the hood and rubber seal. Align holes.



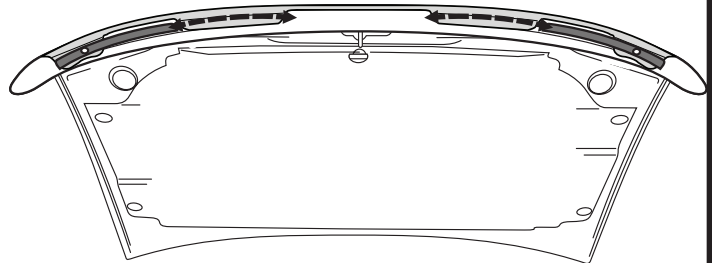
4

Remove tape liner.



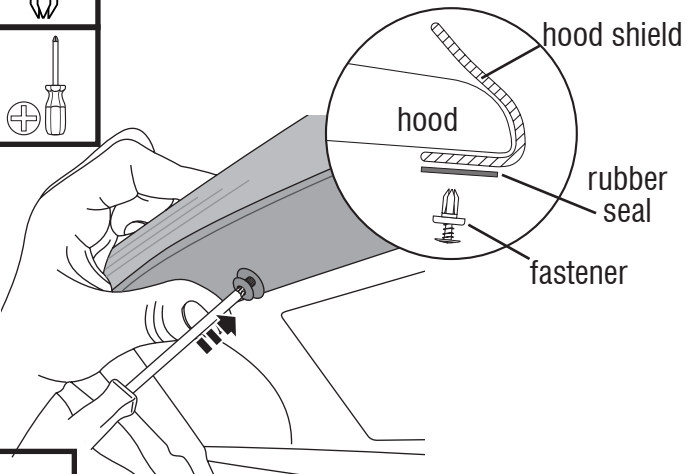
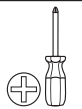
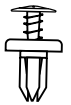
5

Apply pressure to tape flange.



6

Insert (1) fastener, and screw until snug. Repeat for remaining fastener.

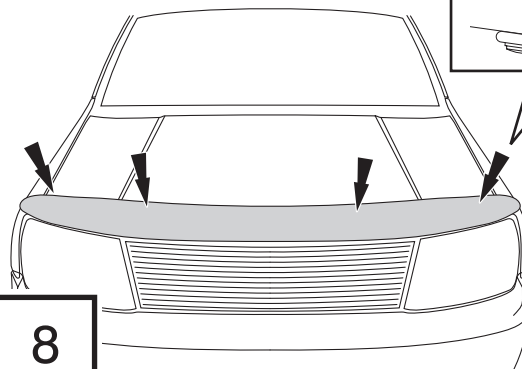
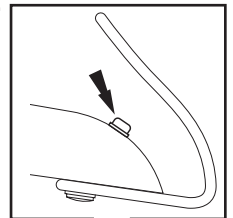


7

DO NOT OVER TIGHTEN



Lower hood, adjust hood bumper stops if necessary. Apply (4) bump-ons to hood surface.



8

Care and Cleaning

- Wash only with mild soap & dry with a clean cloth.

Congratulations!

You have purchased one of the many quality Auto Ventshade™ branded products offered by Lund International, Inc. We take the utmost pride in our products and want you to enjoy years of satisfaction from your investment. We have made every effort to ensure that your product is top quality in terms of fit, durability, finish and ease of installation.



When it comes to quality stone and bug deflectors, AVS is the brand you can depend on.