

# Installation Instructions



## Bugflector<sup>®</sup> - Bugflector II<sup>®</sup> - Carflector<sup>®</sup> - Chrome Hood Shield<sup>™</sup>

### Important Safety Information



- CAUTION - Before driving, ensure that the hood shield is properly secured to vehicle.
- Do not use automatic "brush-style" car washes.
- Do not use cleaning solvents of any kind.
- Periodically check all components for tightness.

### Contents

**NOTE:** Actual product may vary from illustration.



Hood shield



Alcohol pad x2



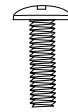
Protective Film x2  
(45-3601)



Self Tapping Screw x4  
(98023)



White Plastic  
Washer x4  
(98022)



Machine Screw x2  
(04-4128)



Black Plastic  
Washer x2  
(37-4106)



Bracket x2  
(39-1956)

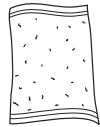


Bump On x4  
(98024)

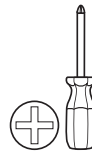
### Tools Required



Car Wash Supplies



Clean Towel



Phillips  
screwdriver



Grease pencil

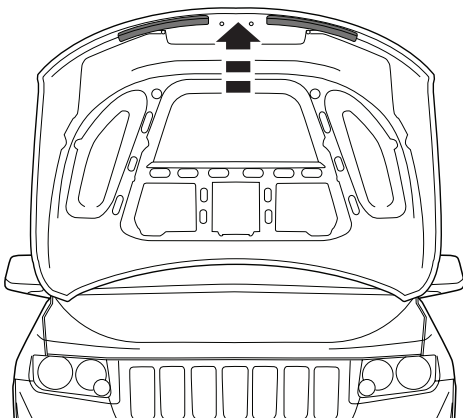
### Preparation Before Painting / Installation

- A trial fit is recommended to ensure proper positioning and fit.
- Check fit of parts before painting as we will not accept the return of modified or painted parts.
- Wash and dry your vehicle to remove any debris and/or dirt from the installation area.

### Installation Steps

**NOTE:** Actual application may vary slightly from illustrations.

Open hood.

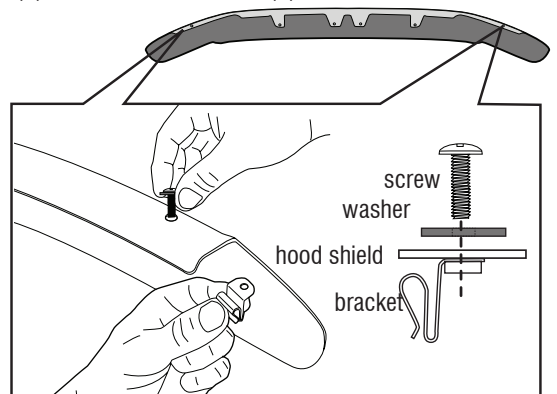


1




2

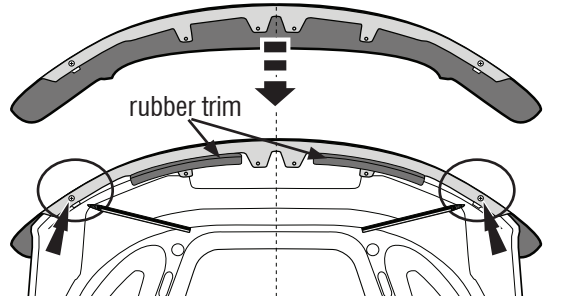
Install (2) brackets on hood shield flange using (2) machine screws and (2) black plastic washers.



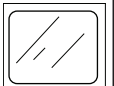
# Installation Steps

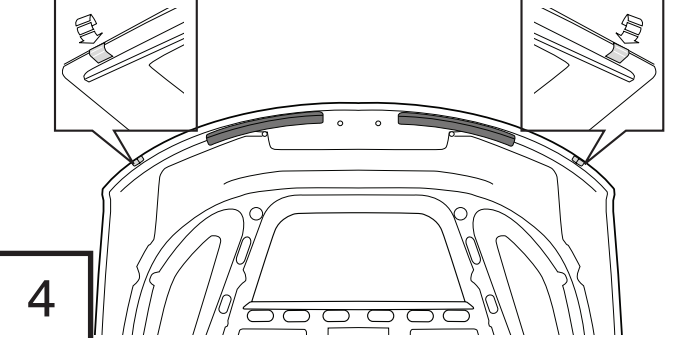
**NOTE:** Actual application may vary slightly from illustrations.

 Align holes in hood shield with center of hood in order to center part in place. Slide (2) center flanges underneath rubber seal on hood. Note the location where the brackets will align with hood edge and mark with a grease pencil. Remove hood shield.




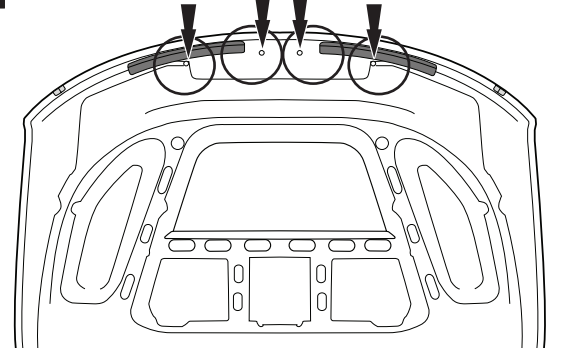
3

 Center a piece of protective film over each grease pencil mark, and wrap around the hood edge.



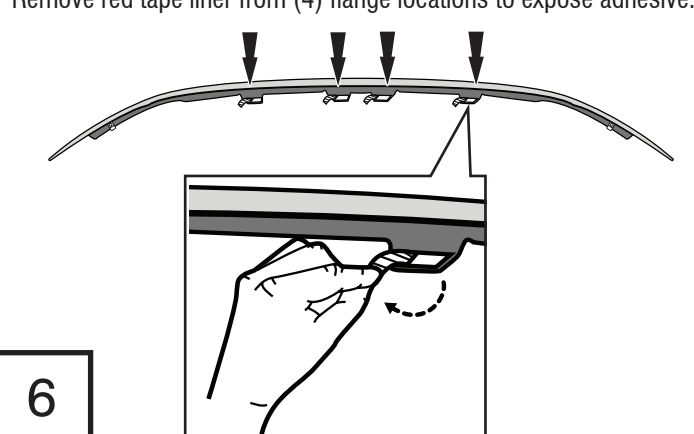
4

 Clean remaining (4) mounting locations using alcohol pads and allow to dry.



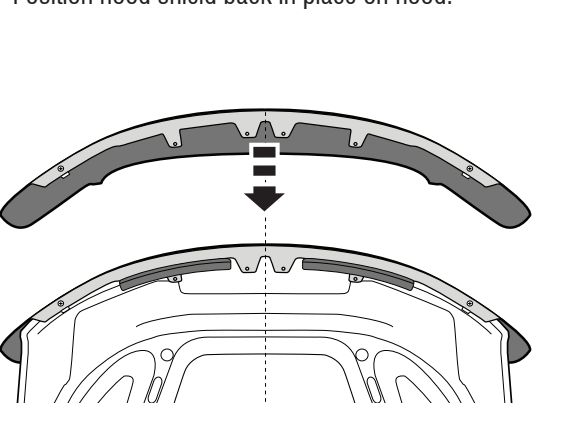
5

Remove red tape liner from (4) flange locations to expose adhesive.



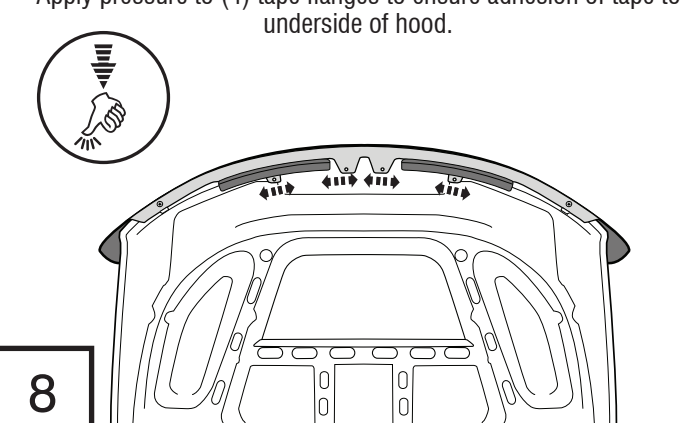
6

Position hood shield back in place on hood.




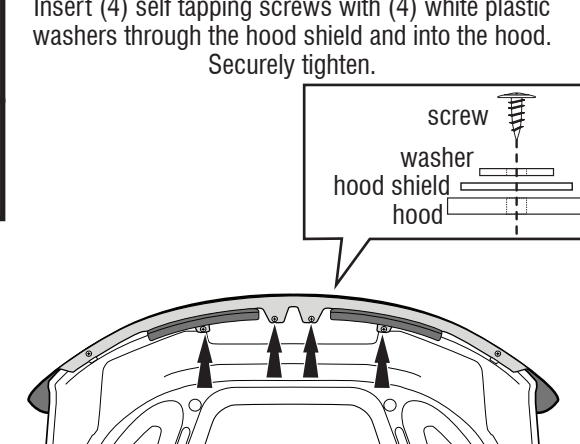
7

Apply pressure to (4) tape flanges to ensure adhesion of tape to underside of hood.



8

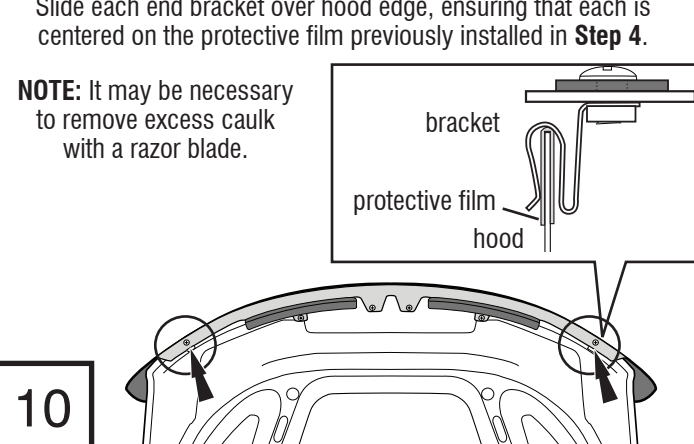
 Insert (4) self tapping screws with (4) white plastic washers through the hood shield and into the hood. Securely tighten.



9

Slide each end bracket over hood edge, ensuring that each is centered on the protective film previously installed in **Step 4**.

**NOTE:** It may be necessary to remove excess caulk with a razor blade.



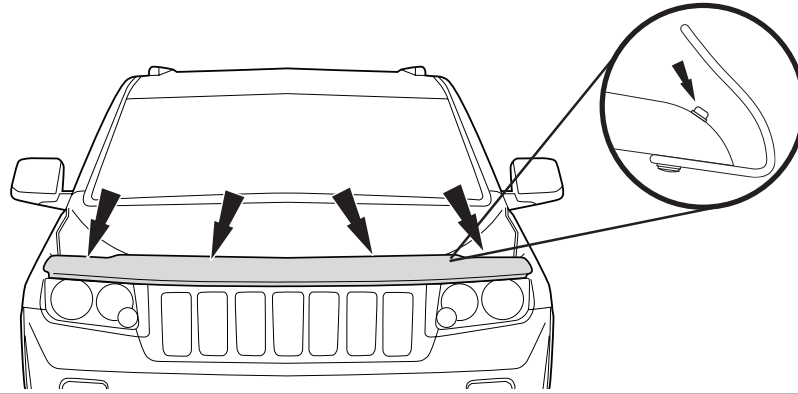
10

## Installation Steps

**NOTE:** Actual application may vary slightly from illustrations.



Close hood and install (4) bump ons at pre-cleaned locations on the painted hood surface.



11

## Care and Cleaning

- Wash only with mild soap & dry with a clean cloth.

## Congratulations!

You have purchased one of the many quality Auto Ventshade™ branded products offered by Lund International, Inc. We take the utmost pride in our products and want you to enjoy years of satisfaction from your investment. We have made every effort to ensure that your product is top quality in terms of fit, durability, finish and ease of installation.



Rely on premium stone and bug deflectors by AVS if you're looking for quality and efficiency.