

Installation Instructions



Bugflector® - Bugflector II® - Carflector® - Chrome Hood Shield™

Important Safety Information



- CAUTION - Before driving, ensure that the hood shield is properly secured to vehicle.
- Do not use automatic "brush-style" car washes.
- Do not use cleaning solvents of any kind.
- Periodically check all components for tightness.

Contents

NOTE: Actual product may vary from illustration.



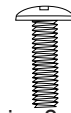
Hood shield



Fastener x4
(98030)



Protective Film x2
(45-3601)



Machine Screw x2
(04-4128)



Bump On x4
(98024)



Bracket x2
(39-1956)



Black Plastic Washer x2
(37-4106)

Tools Required



Car Wash Supplies



Clean Towel



Phillips screwdriver



Grease pencil

Preparation Before Painting / Installation

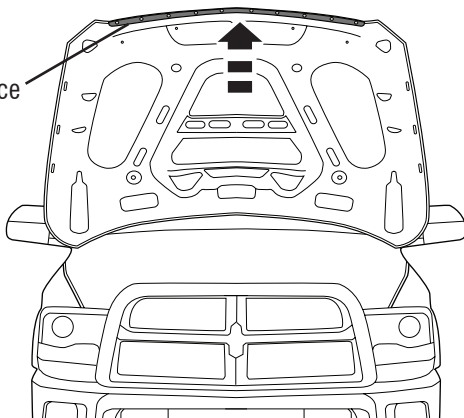
- A trial fit is recommended to ensure proper positioning and fit.
- Check fit of parts before painting as we will not accept the return of modified or painted parts.
- Wash and dry your vehicle to remove any debris and/or dirt from the installation area.

Installation Steps

NOTE: Actual application may vary slightly from illustrations.

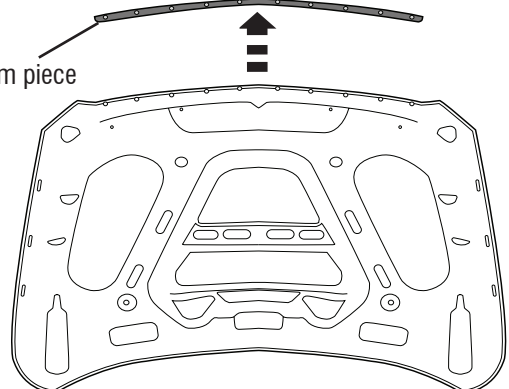
Open hood.

rubber trim piece
(if equipped)



If equipped, remove and discard rubber trim piece from front edge of hood.

rubber trim piece

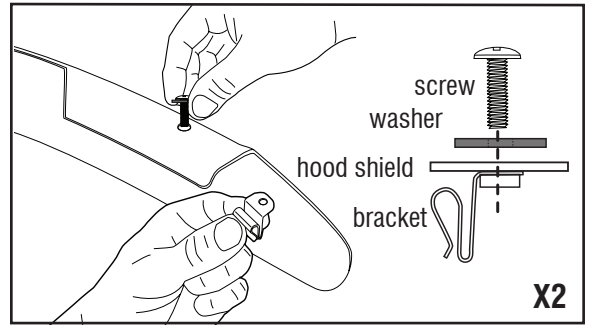
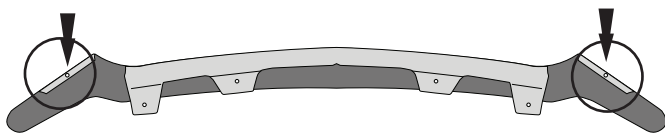


Installation Steps

NOTE: Actual application may vary slightly from illustrations.



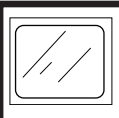
Install (2) brackets on outboard hood shield flanges using machine screws and black washers.



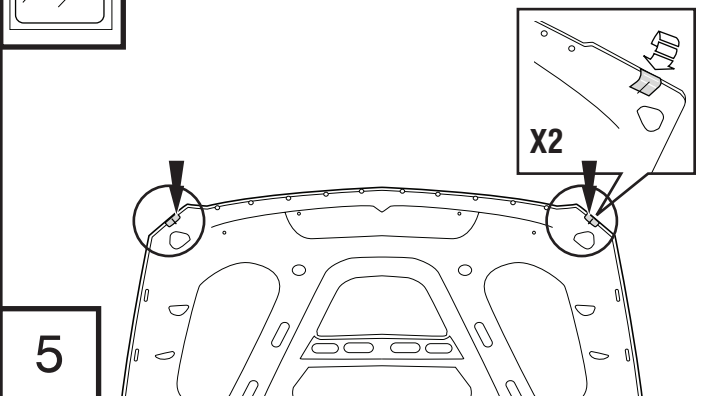
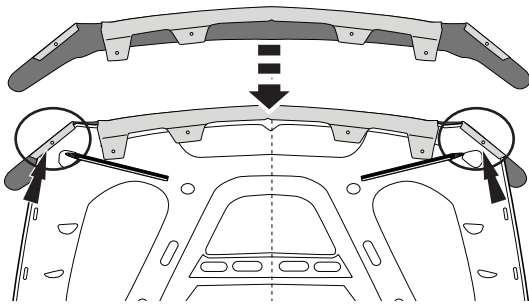
3



Align holes in hood shield with holes in hood in order to center part in place. Note the location where the brackets will align with hood edge and mark with a grease pencil. Remove hood shield.



Center a piece of protective film over each grease pencil mark, and wrap around the hood edge.

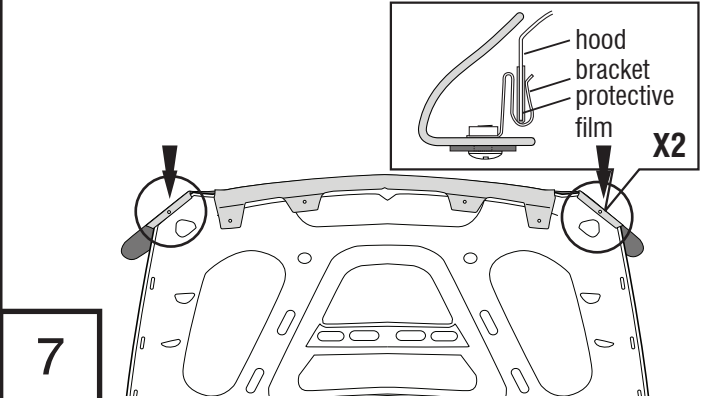
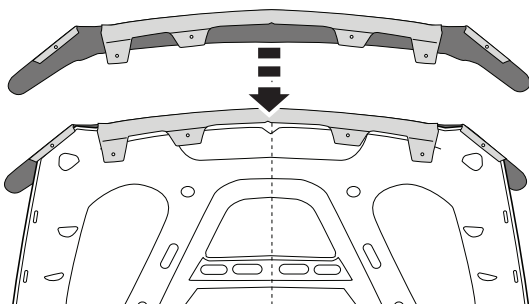


4

5

Position hood shield back in place on hood. Ensure that the holes in hood shield are properly aligned with the holes in the hood and that the bracket aligns with the protective film.

Slide brackets over hood edge, ensuring that they are centered on the protective film previously installed in **Step 6**.

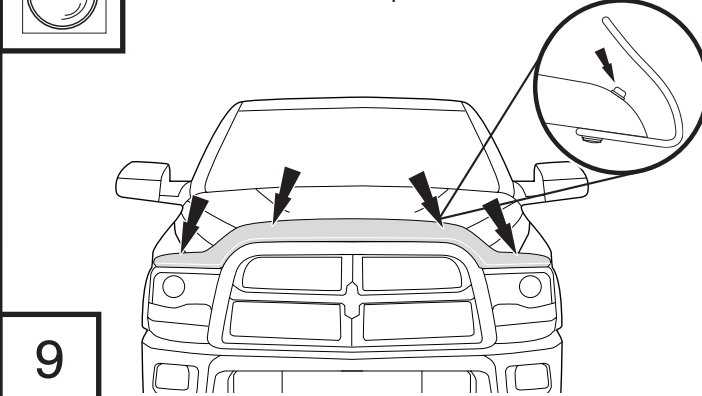
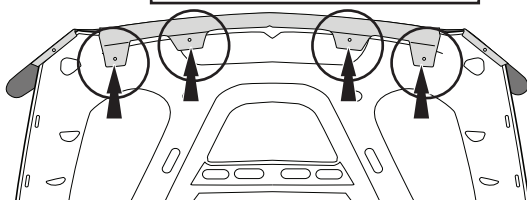
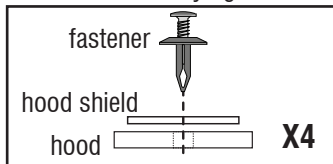
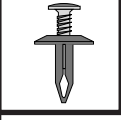


6

7

Insert (4) fasteners through the hood shield and into the hood and securely tighten.

Close hood and Install (4) bump ons at pre-cleaned locations on the painted hood surface.



8

9

DO NOT OVER TIGHTEN

Care and Cleaning

- Wash only with mild soap & dry with a clean cloth.

Congratulations!

You have purchased one of the many quality Auto Ventshade™ branded products offered by Lund International, Inc. We take the utmost pride in our products and want you to enjoy years of satisfaction from your investment. We have made every effort to ensure that your product is top quality in terms of fit, durability, finish and ease of installation.



When it comes to quality stone and bug deflectors, AVS is the brand you can depend on.