

Installation Instructions



Bugflector[®] - Bugflector II[®] - Carflector[®] - Chrome Hood Shield[™]

Important Safety Information

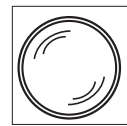


- CAUTION - Before driving, ensure that the hood shield is properly anchored to vehicle.
- Do not use automatic "brush-style" car washes.
- Do not use cleaning solvents of any kind.
- Periodically check all components for tightness.

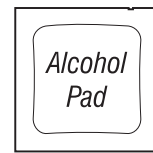
Contents NOTE: Actual product may vary from illustration.



Hood Shield



Bump On x4



Alcohol Pad x2

Tools Required



Car Wash Supplies



Clean Towel

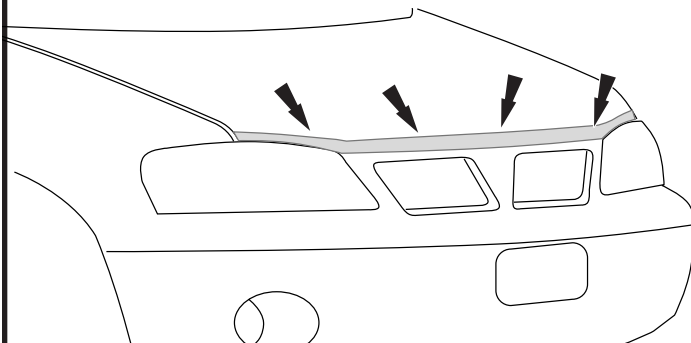
Preparation Before Painting / Installation

- A trial fit is recommended to ensure proper positioning and fit.
- Check fit of parts before painting as we will not accept the return of modified or painted parts.
- Wash your vehicle's hood to remove any debris and/or dirt.
- Dry the hood with a clean towel.

Installation Steps NOTE: Actual application may vary slightly from illustrations.

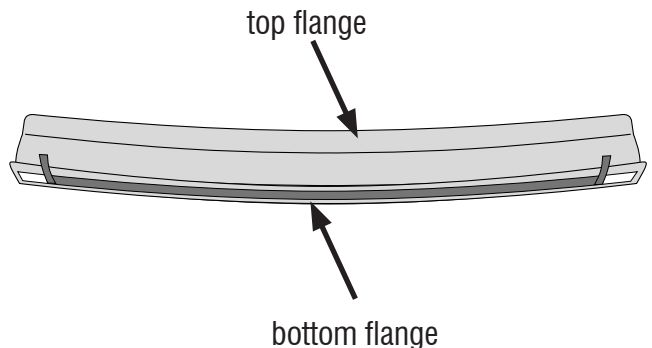


Clean mounting surface with alcohol pad.



1

Peel back 2" of tape liner from back of hood shield at each end of bottom flange.



2

Installation Steps

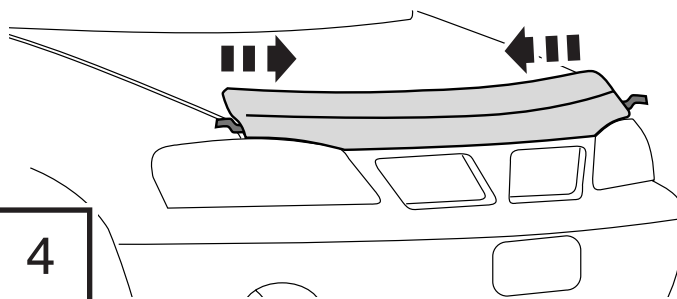
NOTE: Actual application may vary slightly from illustrations.

Align Hood Shield center point with center of hood.



3

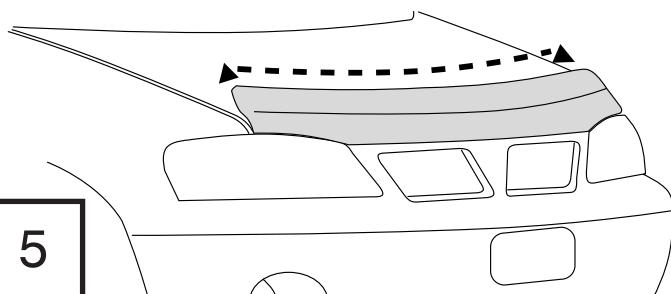
Press on exposed tape to adhere to hood. Remove remainder of tape lining by pulling on the free ends.



4



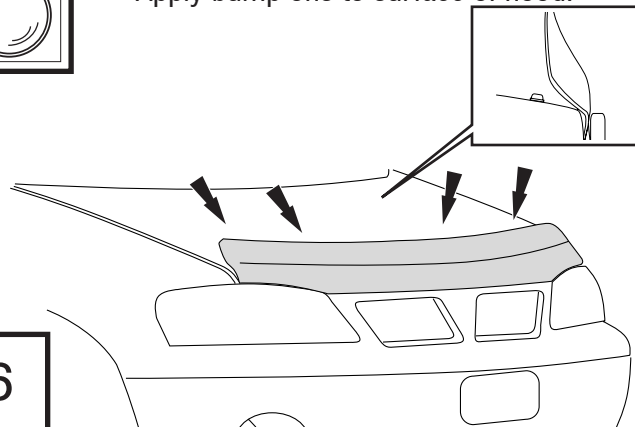
Press firmly along tape flange to secure hood shield to vehicle hood.



5



Apply bump ons to surface of hood.



6

Care and Cleaning

- Wash only with mild soap & dry with a clean cloth.

Congratulations!

You have purchased one of the many quality Auto Ventshade™ branded products offered by Lund International, Inc. We take the utmost pride in our products and want you to enjoy years of satisfaction from your investment. We have made every effort to ensure that your product is top quality in terms of fit, durability, finish and ease of installation.



Check out the collection of stone and bug deflectors we offer.