

Installation Instructions



AUTO VENT SHADE™

Bugflector® - Bugflector II® - Carflector®

Important Safety Information



- CAUTION - Before driving, ensure that the hood shield is properly anchored to vehicle.
- Do not use automatic “brush-style” car washes.
- Do not use cleaning solvents of any kind.
- Periodically check all components for tightness.

Contents **NOTE:** Actual product may vary from illustration.



Hood shield



Washers x4



Self tapping screw x4



Bump On x4

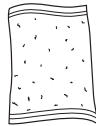


Alcohol Pad x4

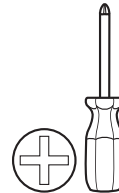
Tools Required



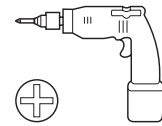
Car Wash Supplies



Clean Towel



Appropriate hand tools.

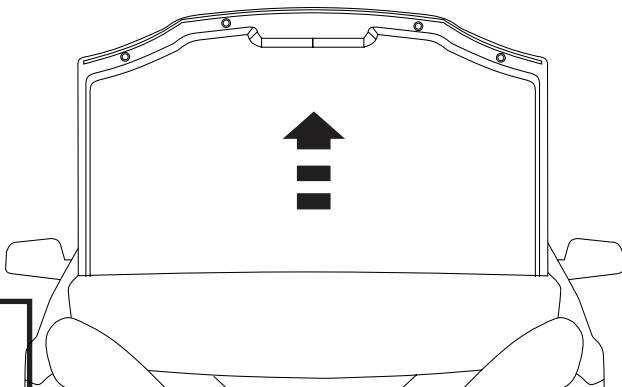


Preparation Before Painting / Installation

- A trial fit is recommended to ensure proper positioning and fit.
- Check fit of parts before painting as we will not accept the return of modified or painted parts.
- Wash your vehicle’s hood to remove any debris and/or dirt.
- Dry the hood with a clean towel.

Installation Steps **NOTE:** Actual application may vary slightly from illustrations.

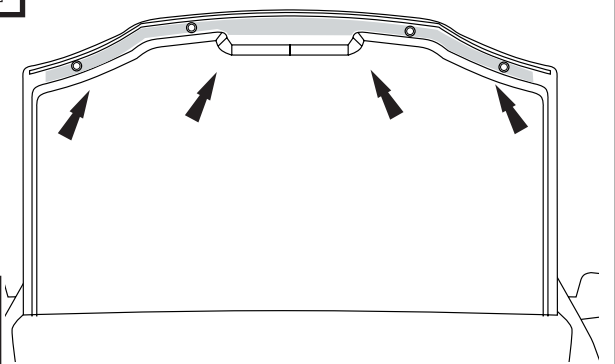
Open Hood.



1

Alcohol Pad

Clean leading edge of hood with alcohol pad.

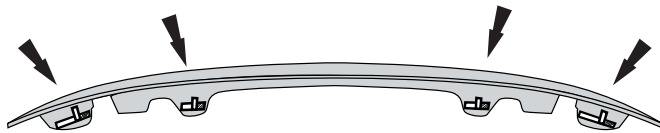


2

Installation Steps

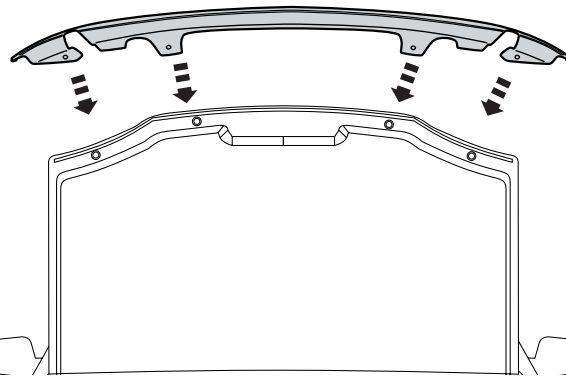
NOTE: Actual application may vary slightly from illustrations.

Expose 2" (5 cm) of tape liner from each end of the flanges on the hood shield.



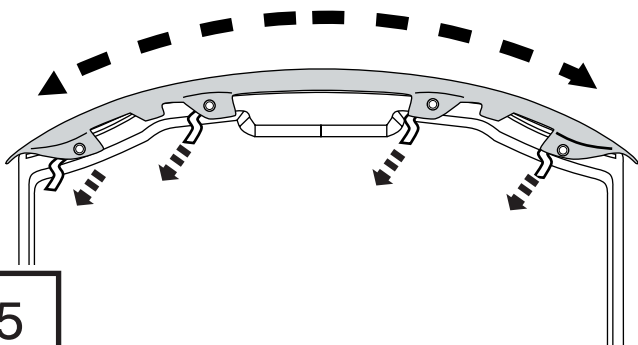
3

Center part on front edge of hood. Slide flanges under rubber trim.



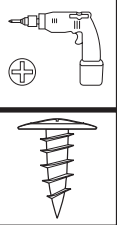
4

Remove remainder of tape liners. Apply strong pressure at all contact points for proper adhesion.



5

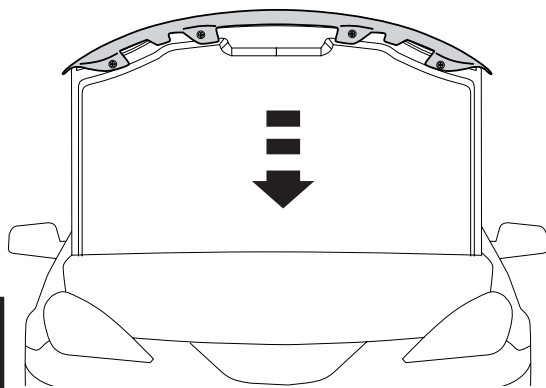
Secure with (4) self tapping screws through hood shield into sheet metal.



6

NOTE: DO NOT OVER TIGHTEN

Close hood.



7

Apply bump ons to surface of hood.



8

Care and Cleaning

- Wash only with mild soap & dry with a clean cloth.

Congratulations!

You have purchased one of the many quality Auto Ventshade™ branded products offered by Lund International, Inc. We take the utmost pride in our products and want you to enjoy years of satisfaction from your investment. We have made every effort to ensure that your product is top quality in terms of fit, durability, finish and ease of installation.



When it comes to quality stone and bug deflectors, AVS is the brand you can depend on.