

Installation Instructions



Bugflector® - Bugflector II® - Carflector® - Chrome Hood Shield™

Important Safety Information

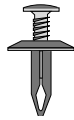


- CAUTION - Before driving, ensure that the hood shield is properly secured to vehicle.
- Do not use automatic "brush-style" car washes.
- Do not use cleaning solvents of any kind.
- Periodically check all components for tightness.

Contents **NOTE:** Actual product may vary from illustration.



Hood shield



Scrivet x2
(#98030)



Screw x2
(#98037)



Washer x2
(#98038)



Well Nut x2
(#98039)

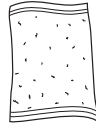


Bump On x4
(#98024)

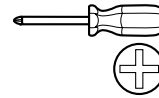
Tools Required



Car Wash Supplies



Clean Towel



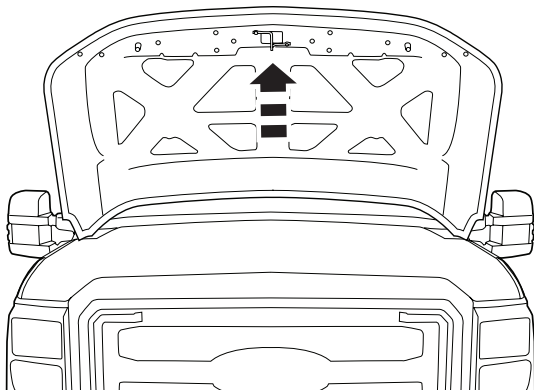
Phillips Head Screwdriver

Preparation Before Painting / Installation

- A trial fit is recommended to ensure proper positioning and fit.
- Check fit of parts before painting as we will not accept the return of modified or painted parts.
- Wash and dry your vehicle to remove any debris and/or dirt from the installation area.

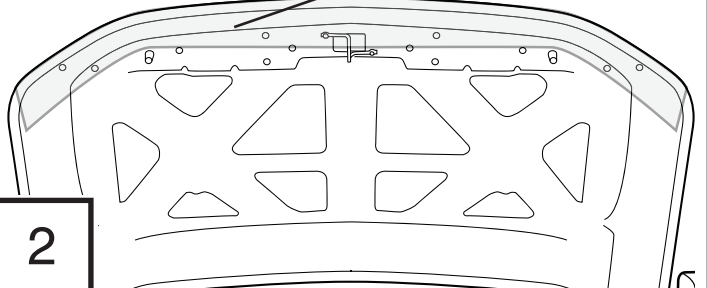
Installation Steps **NOTE:** Actual application may vary slightly from illustrations.

Raise Hood.



1

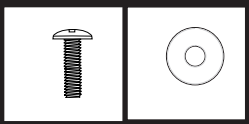
Clean the area around the leading edge of the hood with a clean cloth.



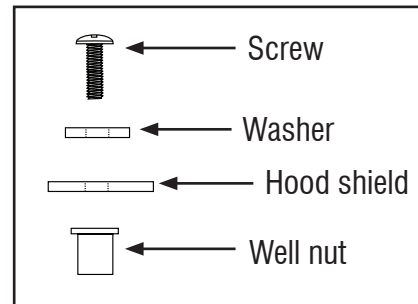
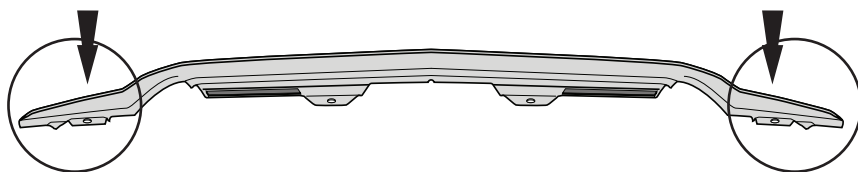
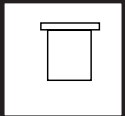
2

Installation Steps

NOTE: Actual application may vary slightly from illustrations.

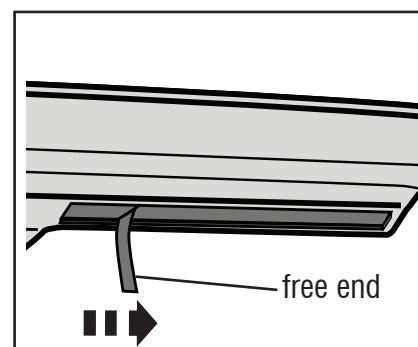
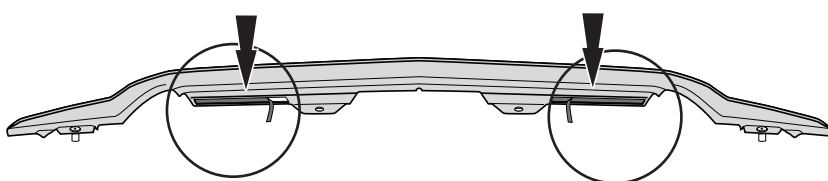


Attach fasteners to the (2) outboard hoodshield flanges by inserting screw with washer through the hood shield, and into well nut. **Partially** thread screw into well nut.



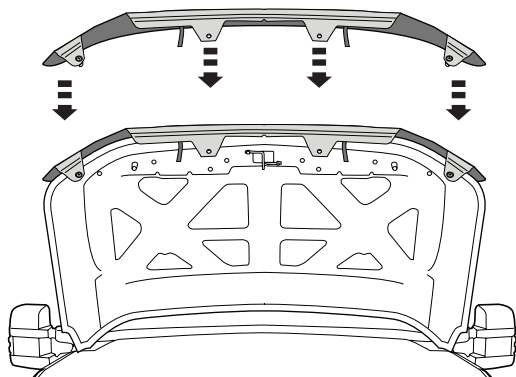
3

Expose 2" (5 cm) of tape liner from each end of the center flanges on the hood shield. Ensure that free ends are accessible.



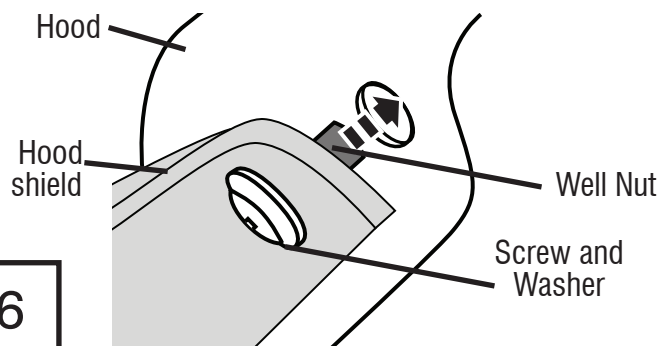
4

Center part on front edge of hood and align holes.

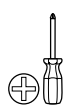


5

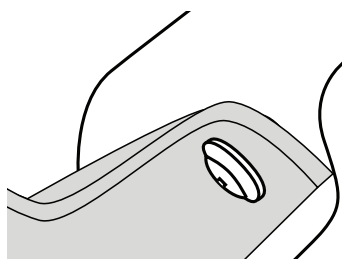
NOTE: Observe the alignment from the side view in order to guide the hood shield with its attached fastener into the proper hole in the hood.



6



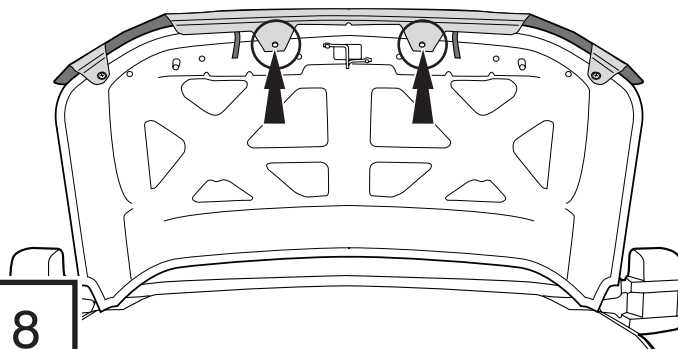
With the fastener assembly inserted into hole in hood, secure hood shield to hood by tightening screw to expand well nut. Repeat for remaining fastener.



7

NOTE: DO NOT OVER TIGHTEN

Note the (2) inboard hole locations.



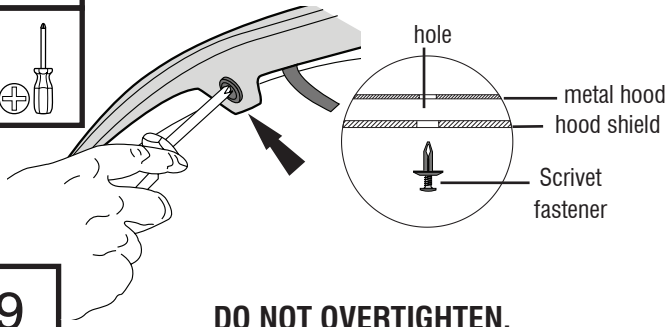
8

Installation Steps

NOTE: Actual application may vary slightly from illustrations.



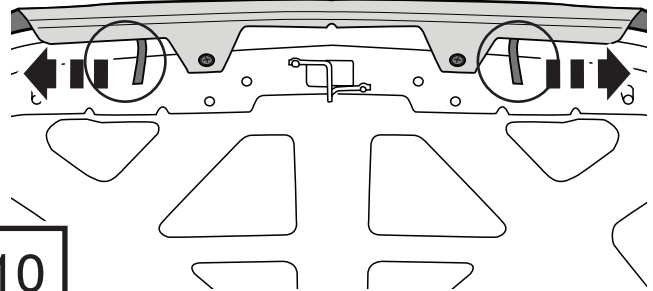
Install (2) Scrivet fasteners with phillips head screwdriver at the inboard holes.



9

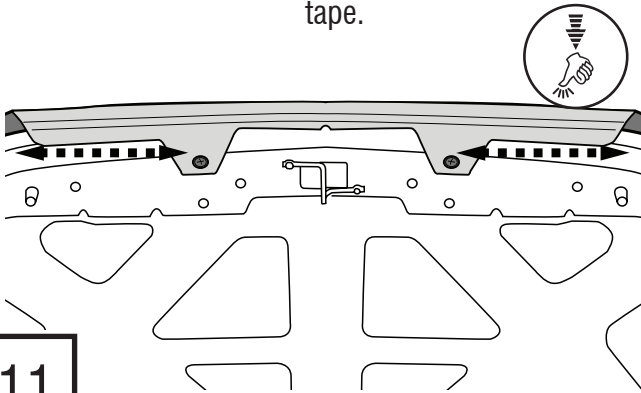
DO NOT OVERTIGHTEN.

Remove remaining tape liner by pulling on the free ends.



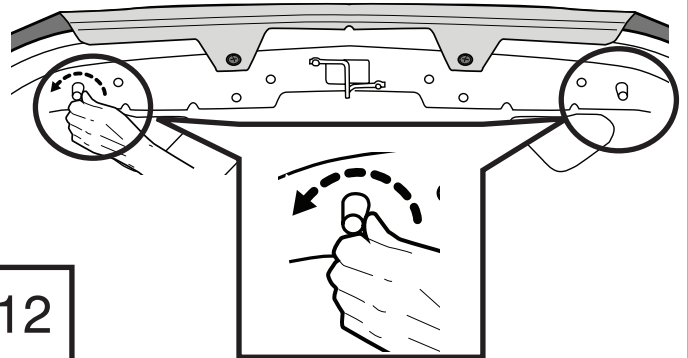
10

Apply pressure to flange to ensure proper adhesion of tape.



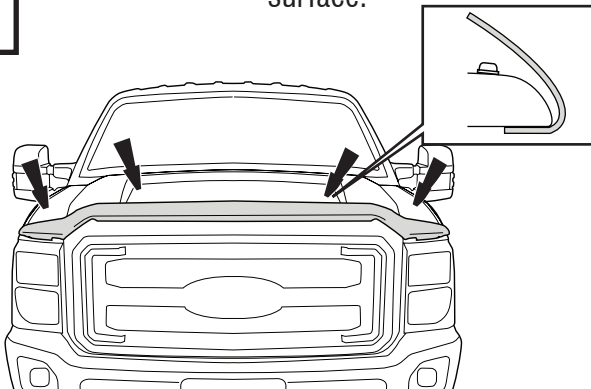
11

Turn both of the hood bumpers counter clockwise (2) full turns.



12

Close hood and apply (4) bump ons to hood surface.



13

Care and Cleaning

- Wash only with mild soap & dry with a clean cloth.

Congratulations!

You have purchased one of the many quality Auto Ventshade™ branded products offered by Lund International, Inc. We take the utmost pride in our products and want you to enjoy years of satisfaction from your investment. We have made every effort to ensure that your product is top quality in terms of fit, durability, finish and ease of installation.



Rely on premium stone and bug deflectors by AVS if you're looking for quality and efficiency.