

# Installation Instructions



## Bugflector - Bugflector II - Carflector

### Important Safety Information

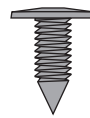


- CAUTION - Before driving, ensure that the hood shield is properly secured to vehicle.
- Do not use automatic "brush-style" car washes.
- Do not use cleaning solvents of any kind.
- Periodically check all components for tightness.

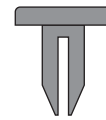
### Contents **NOTE:** Actual product may vary from illustration.



Bugflector



Screws x4



Receptacles x4



Bump On x4

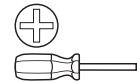
### Tools Required



Car Wash Supplies



Clean Towel



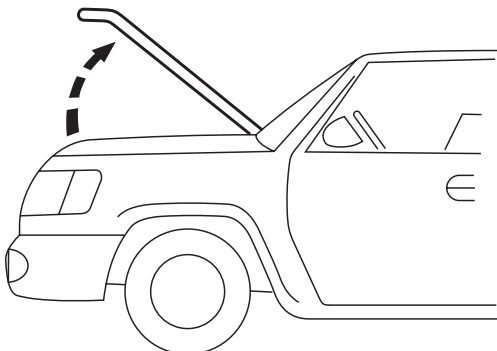
Phillips Screwdriver

### Preparation Before Painting / Installation

- A trial fit is recommended to ensure proper positioning and fit.
- Check fit of parts before painting as we will not accept the return of modified or painted parts.
- Wash and dry your vehicle to remove any debris and/or dirt from the installation area.

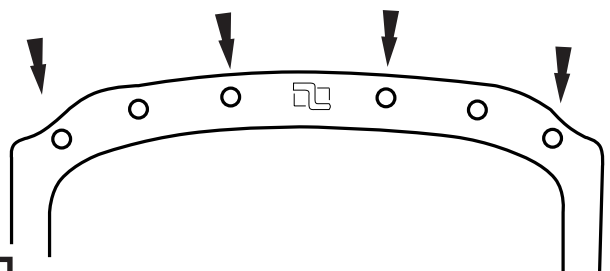
### Installation Steps **NOTE:** Actual application may vary slightly from illustrations.

Raise hood.



1

Locate 4 holes on underside of hood that align with the holes in hood shield and clean to remove any dust or debris.

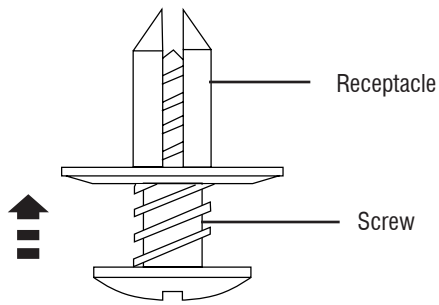


2

## Installation Steps

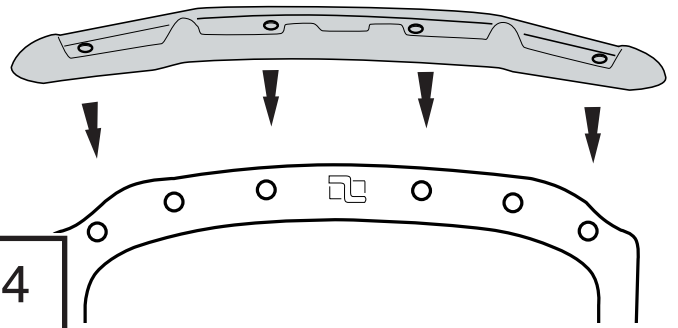
**NOTE:** Actual application may vary slightly from drawings.

Insert screw into receptacle and rotate (2) turns.



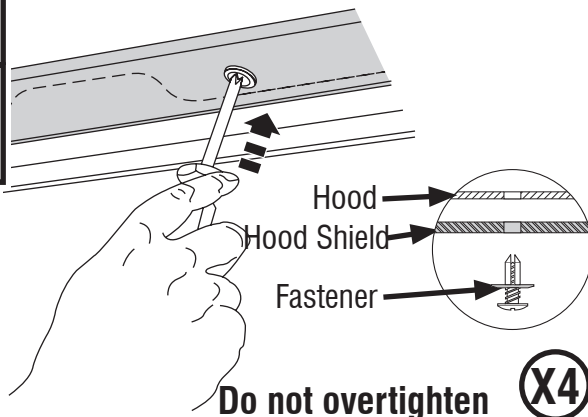
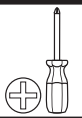
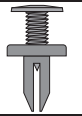
3

Align holes in hood shield with holes in underside of hood and position in place.



4

Install fasteners by either pushing or screwing.

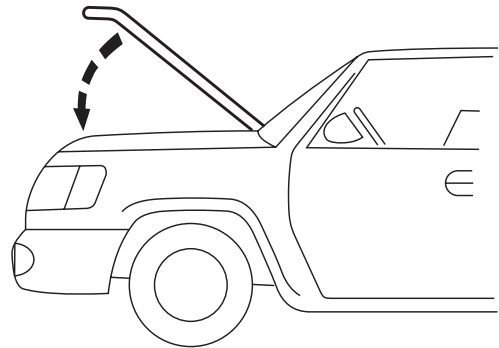


5

**Do not overtighten**

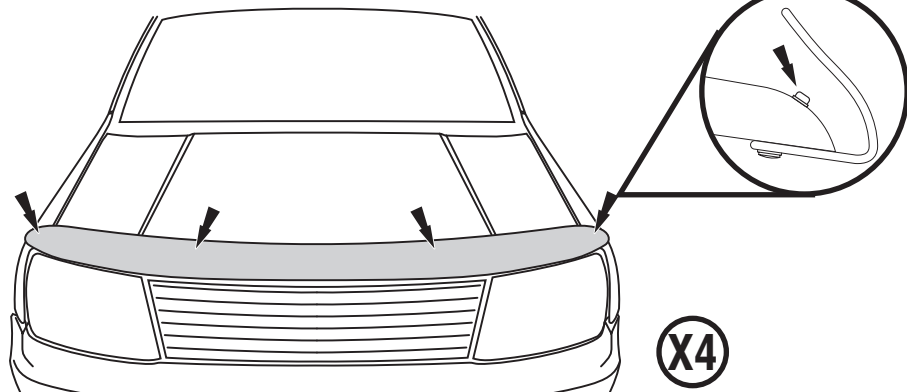
X4

Close hood.



6

Install (4) bumpons on painted hood/fender surface.



7

## Care and Cleaning

- Wash only with mild soap & dry with a clean cloth.

## Congratulations!

You have purchased one of the many quality Auto Ventshade™ branded products offered by Lund International, Inc. We take the utmost pride in our products and want you to enjoy years of satisfaction from your investment. We have made every effort to ensure that your product is top quality in terms of fit, durability, finish and ease of installation.



Check out the collection of stone and bug deflectors we offer.