

Installation Instructions



Bugflector® - Bugflector II® - Carflector® - Chrome Hood Shield™

Important Safety Information



- CAUTION - Before driving, ensure that the hood shield is properly secured to vehicle.
- Do not use automatic "brush-style" car washes.
- Do not use cleaning solvents of any kind.
- Periodically check all components for tightness.

Contents **NOTE:** Actual product may vary from illustration.



Hood shield



Fastener x2



Bump On x4

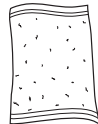


Alcohol Pad x2

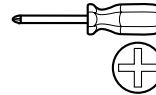
Tools Required



Car Wash Supplies



Clean Towel



Phillips Head Screwdriver

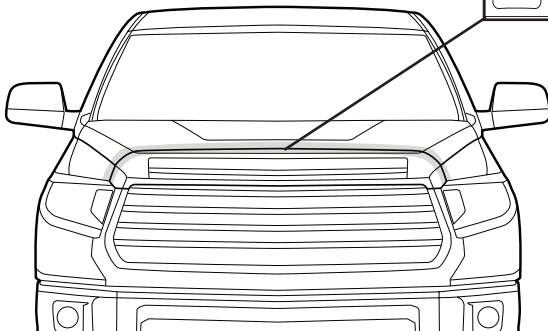
Preparation Before Painting / Installation

- A trial fit is recommended to ensure proper positioning and fit.
- Check fit of parts before painting as we will not accept the return of modified or painted parts.
- Wash and dry your vehicle to remove any debris and/or dirt from the installation area.

Installation Steps **NOTE:** Actual application may vary slightly from illustrations.

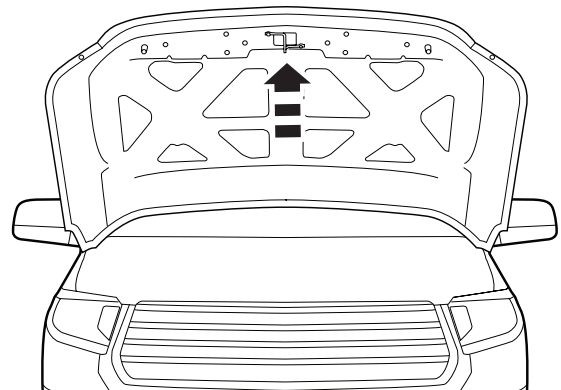


Clean the upper leading edge of the hood surface and top of the plastic nose piece with an alcohol pad.



1

Raise Hood.

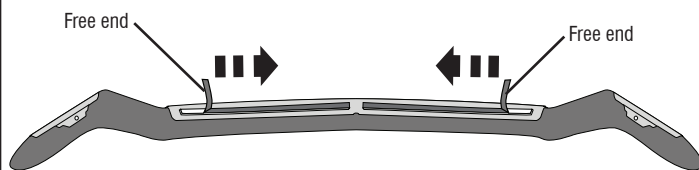


2

Installation Steps

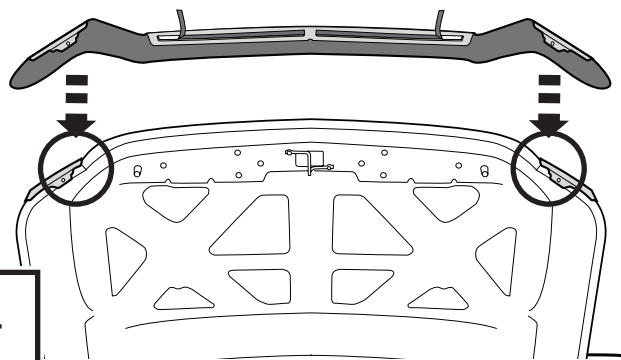
NOTE: Actual application may vary slightly from illustrations.

Expose 2" (5 cm) of tape liner from each end of the center flanges on the hood shield. Ensure that free ends of tape liner are accessible.



3

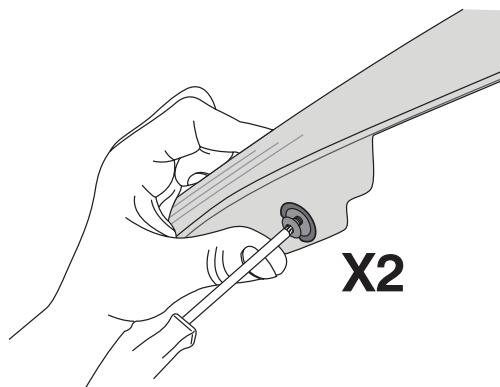
Position hood shield in place on hood. Align holes in hood shield flanges with holes in hood.



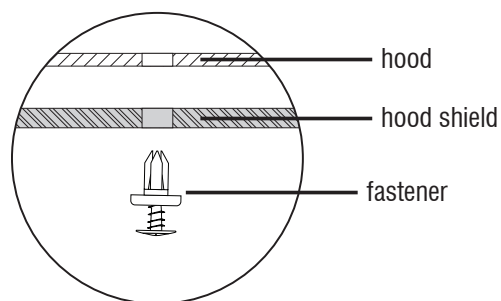
4



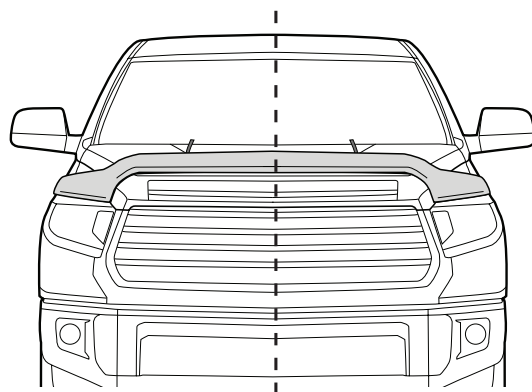
Install (1) fastener in each flange. **Do not fully tighten at this time.**



5

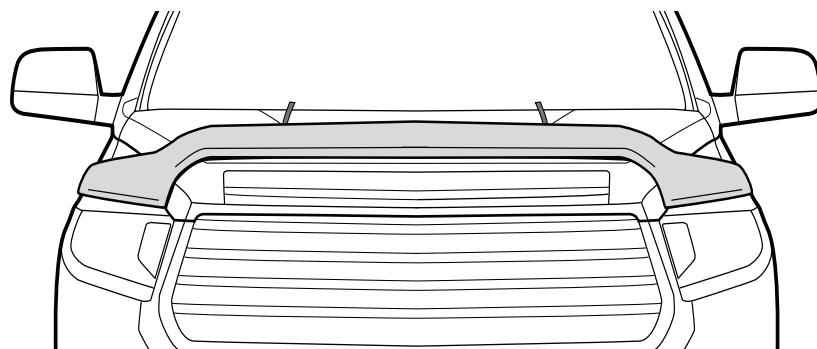


Lightly close hood and check that hood shield is centered properly on hood. Adjust as needed. Raise hood and fully tighten both fasteners. After tightening, fully close hood.



6

Check position of hood shield. **NOTE: (1) Ensure that center flange where tape will adhere is still centered, and (2) inspect shield to ensure it is sitting flush on the hood / nose piece.**

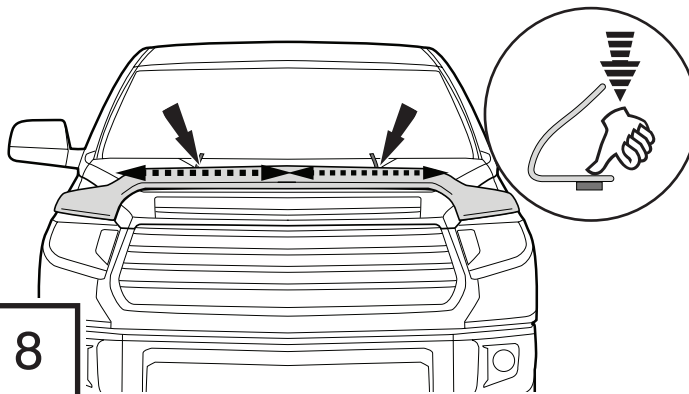


7

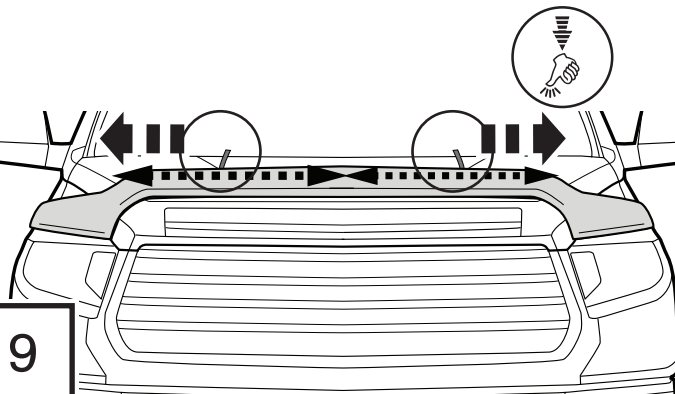
Installation Steps

NOTE: Actual application may vary slightly from illustrations.

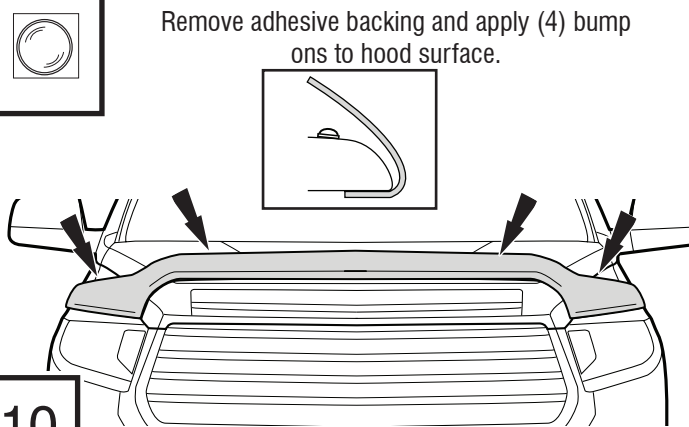
Press and hold hood shield against the upper surface of hood.



Remove remaining tape liner by pulling on the free ends. Apply pressure to flange to ensure proper adhesion of tape.



Remove adhesive backing and apply (4) bump ons to hood surface.



Care and Cleaning

- Wash only with mild soap & dry with a clean cloth.

Congratulations!

You have purchased one of the many quality Auto Ventshade™ branded products offered by Lund International, Inc. We take the utmost pride in our products and want you to enjoy years of satisfaction from your investment. We have made every effort to ensure that your product is top quality in terms of fit, durability, finish and ease of installation.

