

Installation Instructions



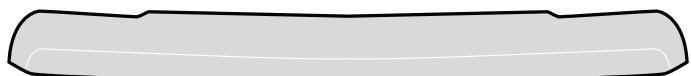
Bugflector® - Bugflector II® - Carflector® - Chrome Hood Shield™

Important Safety Information



- CAUTION - Before driving, ensure that the hood shield is properly anchored to vehicle.
- Do not use automatic "brush-style" car washes.
- Do not use cleaning solvents of any kind.
- Periodically check all components for tightness.

Contents **NOTE:** Actual product may vary from illustration.



Hood shield



Passenger side eyebrow hoodshield
(3 Piece Set Only)



Driver side eyebrow hoodshield
(3 Piece Set Only)



Bump On x4

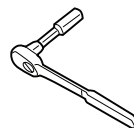
Tools Required



Car Wash Supplies



Clean Towel



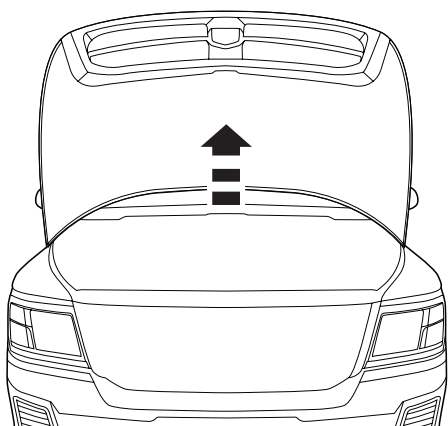
Ratchet with extension
and 10mm/8mm sockets

Preparation Before Painting / Installation

- A trial fit is recommended to ensure proper positioning and fit.
- Check fit of parts before painting as we will not accept the return of modified or painted parts.
- Wash and dry your vehicle to remove any debris and/or dirt from the installation area.

Installation Steps **NOTE:** Actual application may vary slightly from illustrations.

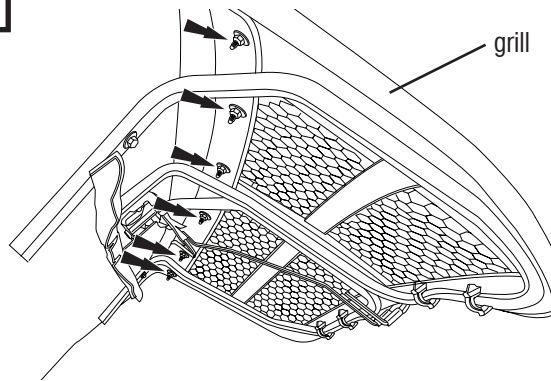
Carefully raise hood.



1



Using a 10 mm socket remove (6) nuts from the back of the grill that attach the top of the grill to hood.

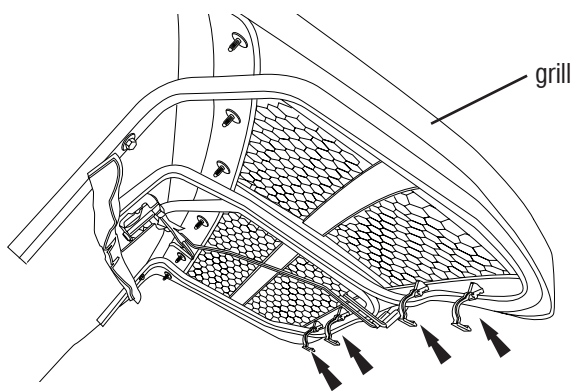


2

Installation Steps

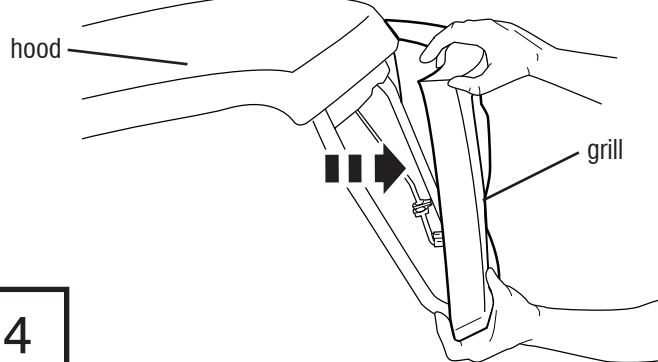
NOTE: Actual application may vary slightly from illustrations.

Unsnap (4) fasteners along the bottom of the grill



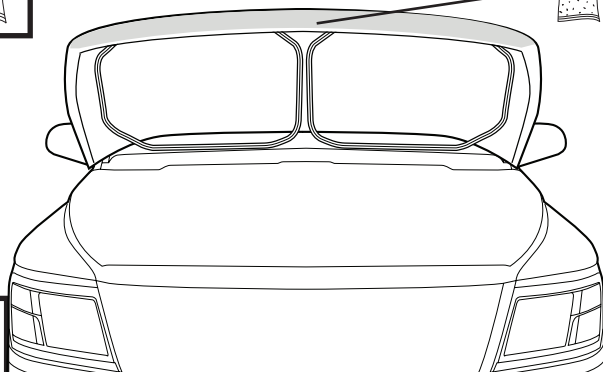
3

Lower the hood slightly, and carefully remove the grill off the hood and set aside.



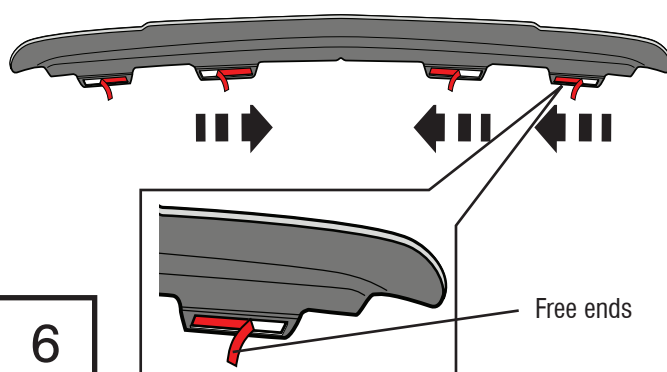
4

Clean the leading edge of the hood with a soft cloth.



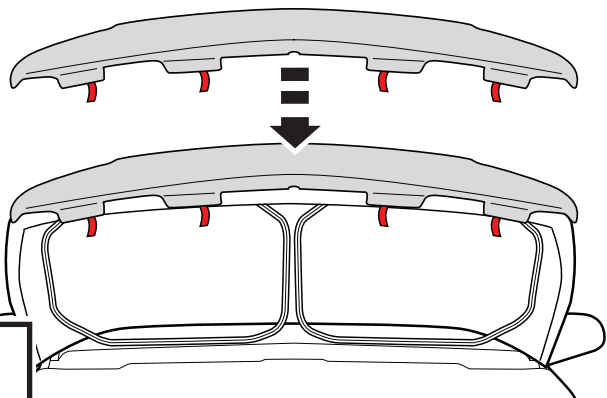
5

Expose 2 inches (5 cm) of tape liner on each of the flanges of the hood shield. Ensure that free ends of tape are accessible.



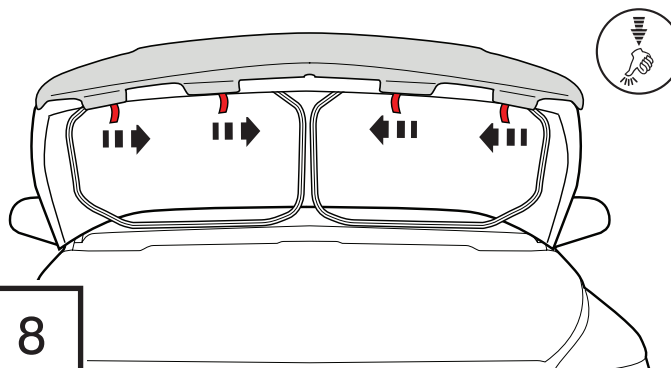
6

Align hood shield with hood edge.



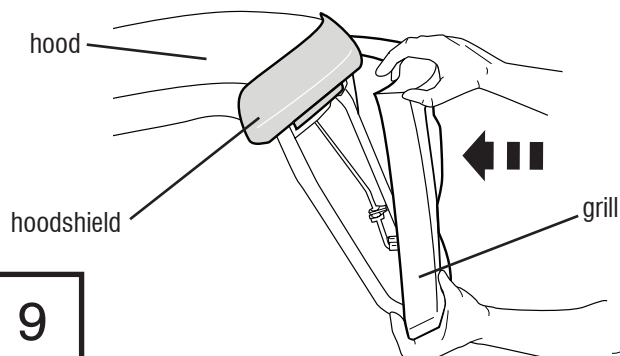
7

Remove remaining tape liner by pulling on free ends. Press firmly on flanges to ensure adhesion of tape to hood surface.



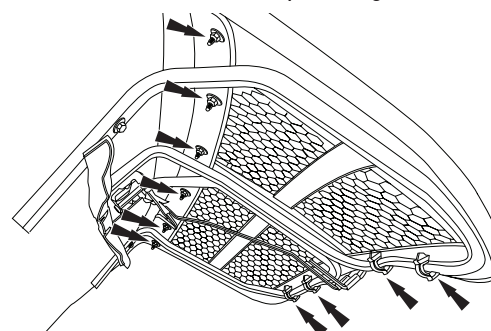
8

Carefully set the grill back into place on the hood. The hoodshield should be **BETWEEN** the grill and the hood.



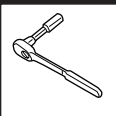
9

Secure the grille to the hood by snapping the (4) previously removed fasteners back in place on the bottom of the grill. Replace (6) previously removed nuts to secure the top of the grill.



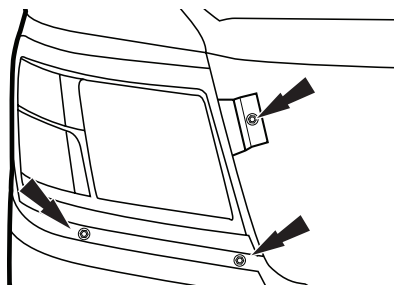
10

Installation Steps **NOTE:** Actual application may vary slightly from illustrations.



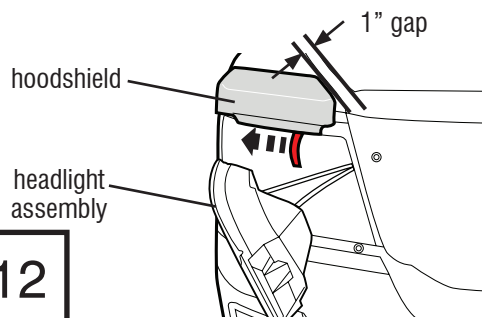
Fender protector Installation

With the hood still raised, use an 8mm socket with extension to remove (3) nuts used to retain the passenger side headlight.



11

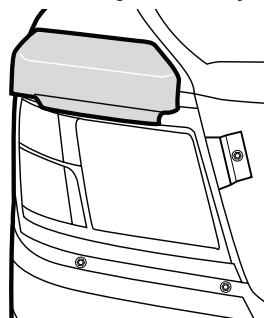
Carefully disengage the headlight assembly. Close hood and perform a trial fit, positioning hood shield to allow a 1" gap between edge of hood shield and the closed hood. Repeat **Steps 5-7** above to attach the eyebrow hoodshield to the fender.



12



Raise hood, and reinstall the headlight assembly. The hoodshield should be **BETWEEN** the fender and the headlight assembly.

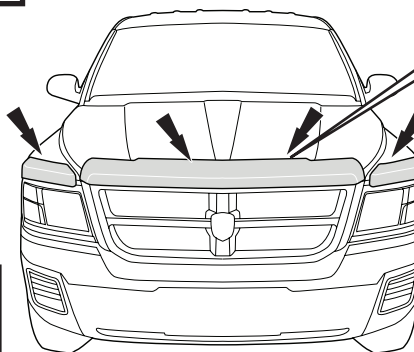


13

NOTE: Repeat to install drivers side eyebrow hoodshield.



Close hood. Apply (4) bump ons to hood and fender surfaces,



14

Care and Cleaning

- Wash only with mild soap & dry with a clean cloth.

Congratulations!

You have purchased one of the many quality Auto Ventshade™ branded products offered by Lund International, Inc. We take the utmost pride in our products and want you to enjoy years of satisfaction from your investment. We have made every effort to ensure that your product is top quality in terms of fit, durability, finish and ease of installation.



Rely on premium stone and bug deflectors by AVS if you're looking for quality and efficiency.