

Installation Instructions



AUTO VENT SHADE™

Bugflector® - Bugflector II® - Carflector®

Important Safety Information



- CAUTION - Before driving, ensure that the hood shield is properly secured to vehicle.
- Do not use automatic "brush-style" car washes.
- Do not use cleaning solvents of any kind.
- Periodically check all components for tightness.

Contents - 1 Piece Set

NOTE: Actual product may vary from illustration.



Hood Shield



Screws x4



Washer x4



Alcohol Pads x4

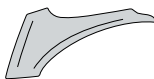


Bump On x4

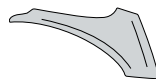
Contents - 3 Piece Set



Hood Shield



Drivers Side Fender Protector



Passenger Side Fender Protector



Screws x4



Washer x4



Alcohol Pads x4



Bump On x4

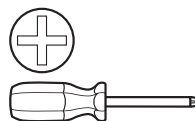
Tools Required



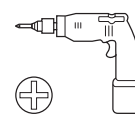
Car Wash Supplies



Clean Towel



Phillips Screwdriver



Power Screwdriver

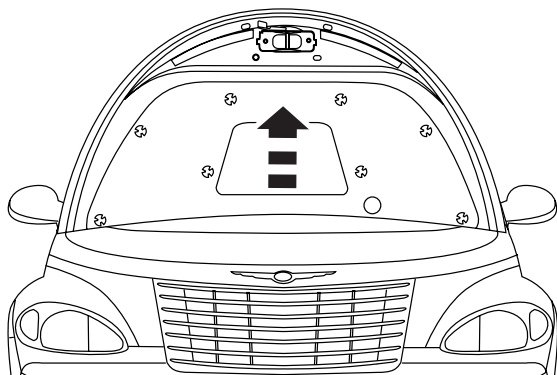
Preparation Before Painting / Installation

- A trial fit is recommended to ensure proper positioning and fit.
- Check fit of parts before painting as we will not accept the return of modified or painted parts.
- Wash and dry your vehicle to remove any debris and/or dirt from the installation area.

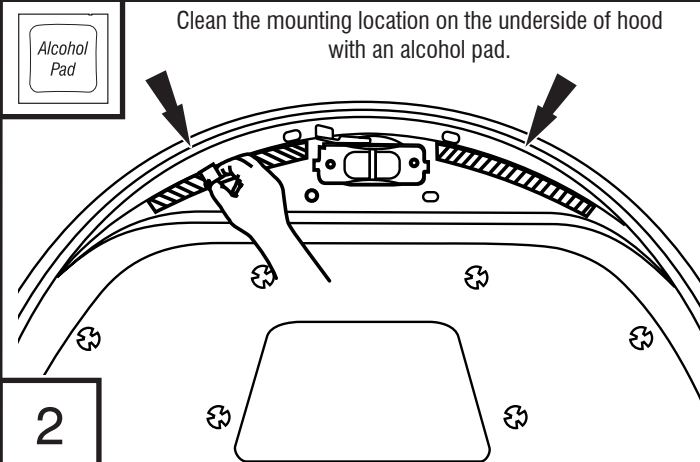
Installation Steps

NOTE: Actual application may vary slightly from illustrations.

Open hood.



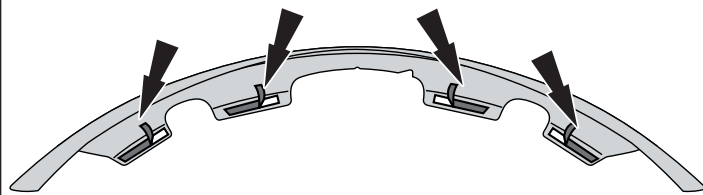
Clean the mounting location on the underside of hood with an alcohol pad.



Installation Steps

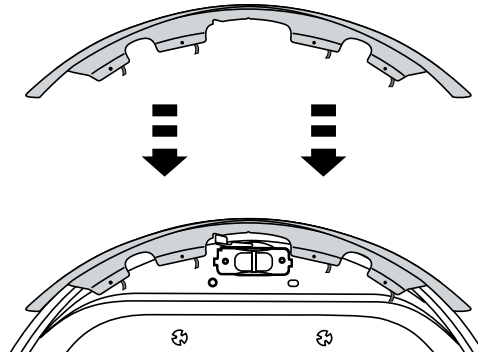
NOTE: Actual application may vary slightly from drawings.

Expose 2" (5 cm) of tape liner from each end of the flanges on the hood shield.



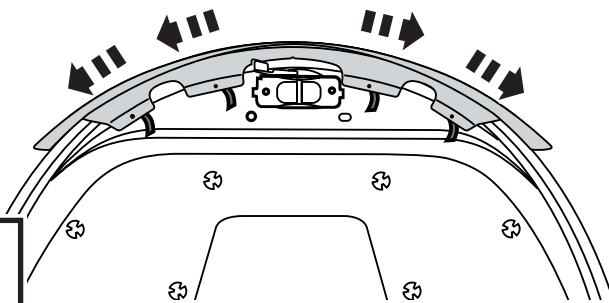
3

Align hood shield center point with center of hood. Press firmly to adhere previously exposed tape to hood and verify position.



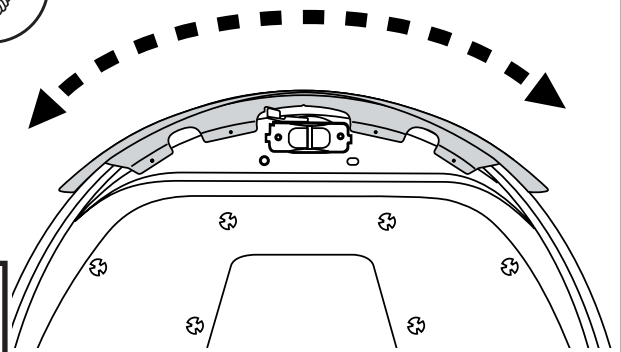
4

Remove remaining tape liner by pulling on free ends.



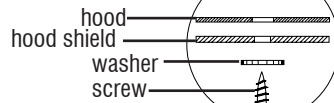
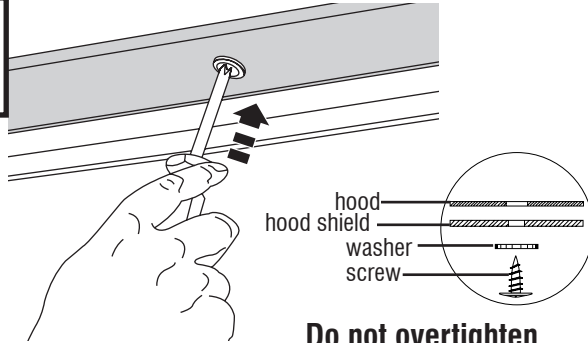
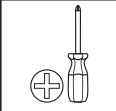
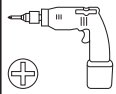
5

Press firmly along tape flanges to ensure proper adhesion.



6

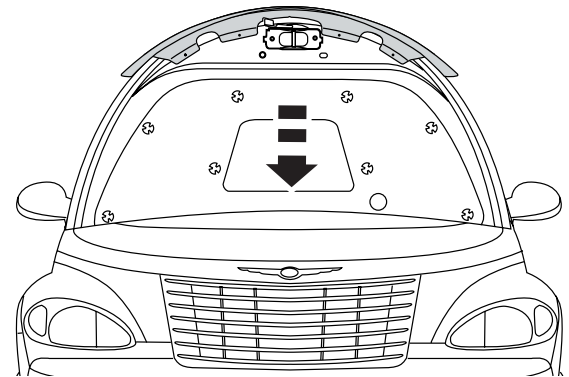
OPTIONAL: Install (4) self tapping screws through the holes on hood shield. A power screwdriver is recommended but once the screw penetrates the inside metal panel use a regular phillips screwdriver the remainder of the way.



Do not overtighten

7

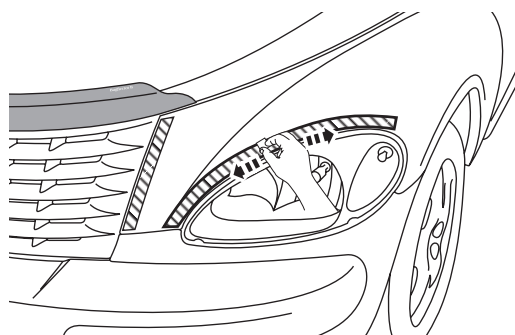
Close hood.



8

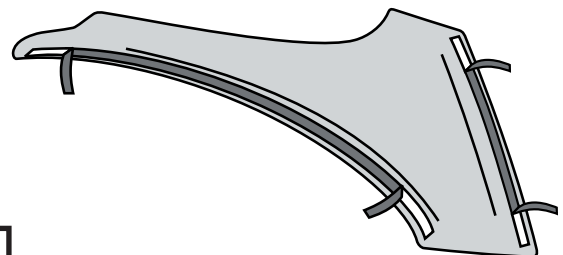
Fender Protector Installation

Clean mounting location above head-lights and beside grill.



9

Expose 2" (5 cm) of tape liner from each end of the flanges on the fender protector.



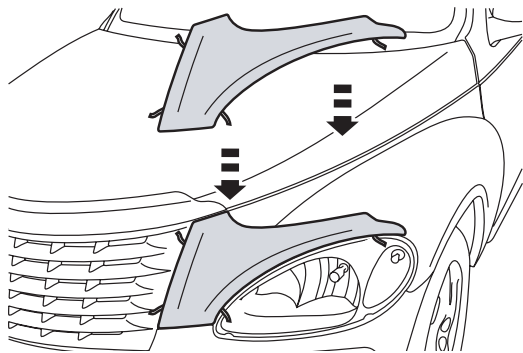
10

Installation Steps

NOTE: Actual application may vary slightly from drawings.

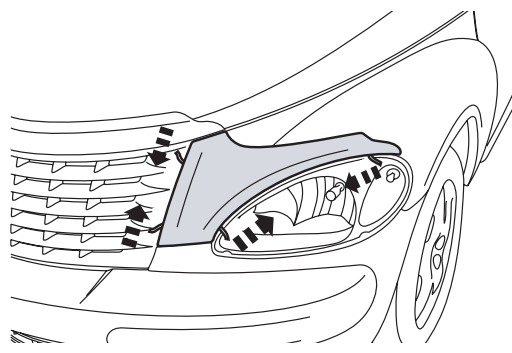
Align fender protector with fender. Press firmly to adhere previously exposed tape to fender and verify position.

11



Remove remaining tape liner by pulling on free ends.

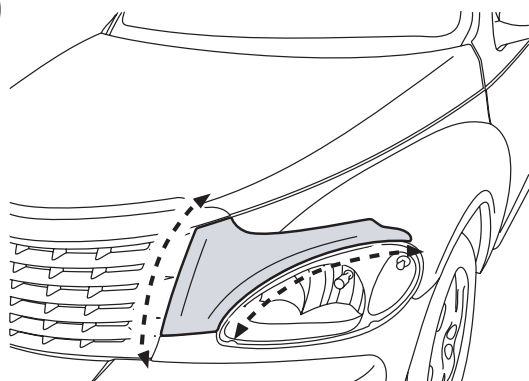
12



Press firmly along tape flanges to ensure proper adhesion.



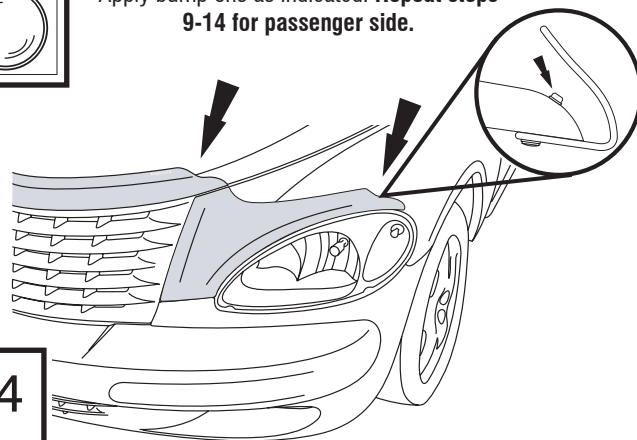
13



Apply bump ons as indicated. Repeat steps 9-14 for passenger side.



14



Care and Cleaning

- Wash only with mild soap & dry with a clean cloth.

Congratulations!

You have purchased one of the many quality Auto Ventshade™ branded products offered by Lund International, Inc. We take the utmost pride in our products and want you to enjoy years of satisfaction from your investment. We have made every effort to ensure that your product is top quality in terms of fit, durability, finish and ease of installation.



Rely on premium stone and bug deflectors by AVS if you're looking for quality and efficiency.