

# Installation Instructions



## Stepshield® Universal Door Sill Protector

For proper installation and best possible fit, please read all instructions BEFORE you begin.

### Important Safety Information



- CAUTION - Before driving, ensure that the step shield is properly anchored to vehicle.
- Do not use automatic “brush-style” car washes.
- Do not use cleaning solvents of any kind.
- Periodically check all components for tightness.

### Contents - 2 Piece Set

**NOTE:** Actual product may vary from illustration.



Driver Side Stepshield (LF)



Passenger Side Front Stepshield (RF)

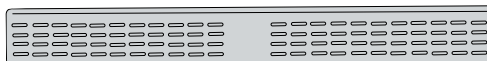


Alcohol Prep Pad x2

### Contents - 4 Piece Set



Driver Side Front Stepshield (LF)



Passenger Side Front Stepshield (RF)



Alcohol Prep Pad x4



Driver Side Rear Stepshield (LR)

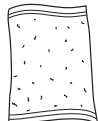


Passenger Side Rear Stepshield (RR)

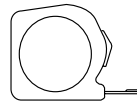
### Tools Required



Car Wash Supplies



Clean Towel



Measuring Tape



Scissors

### Preparation Before Painting / Installation

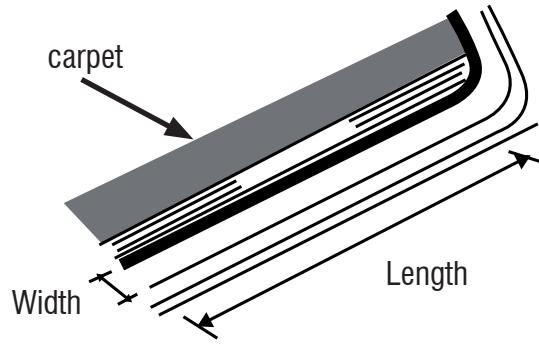
- A trial fit is recommended to ensure proper positioning and fit.
- Check fit of parts before painting as we will not accept the return of modified or painted parts.
- Wash your vehicle to remove any debris and/or dirt.
- Dry with a clean towel.

# Installation Steps

**NOTE:** Actual application may vary slightly from drawings.



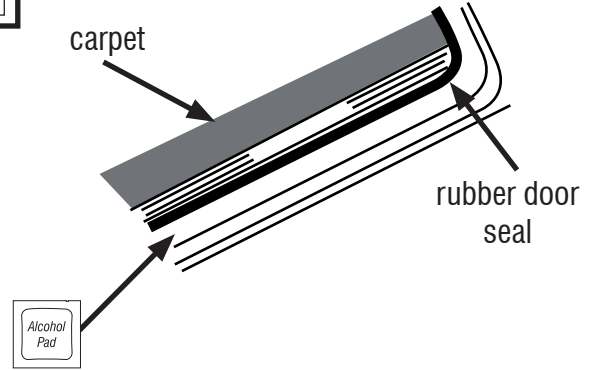
Measure the length and the width of your door sill.



1



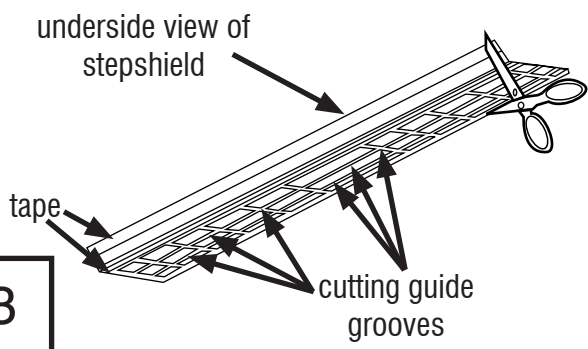
Clean the area where the stepshield will mount with an alcohol pad.



2

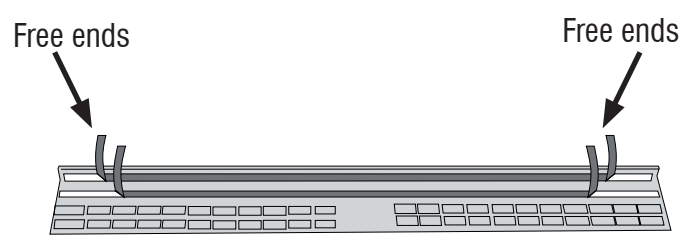


Cut the stepshield along the cutting guide grooves to the proper length and width with a pair of scissors.



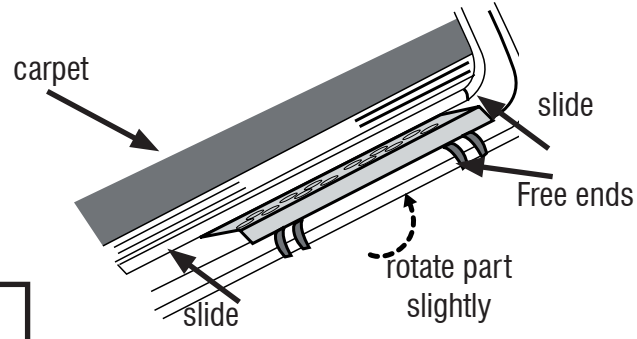
3

Peel back 2" (5cm) of tape liner from each end of stepshield.



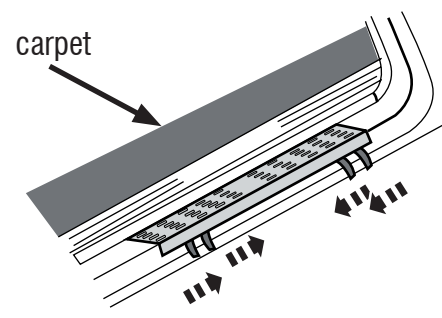
4

Rotate the part slightly so that the tape will not come in contact with the vehicle while placing it in position.



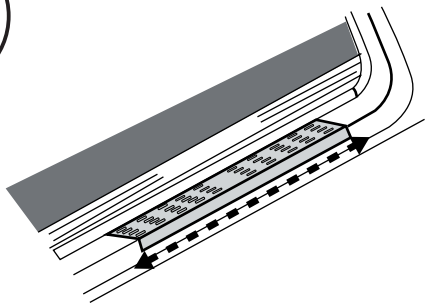
5

Remove the remaining tape liner by pulling on free ends.



6

Press along the top and side of the stepshield to ensure good adhesion of the tape.



7

Repeat **Steps 1-7** for opposite side front, and if applicable left and right rears.

## Care and Cleaning

- Wash only with mild soap & dry with a clean cloth.

## Congratulations!

You have purchased one of the many quality Auto Ventshade™ branded products offered by Lund International, Inc. We take the utmost pride in our products and want you to enjoy years of satisfaction from your investment. We have made every effort to ensure that your product is top quality in terms of fit, durability, finish and ease of installation.

