

Installation Instructions

Hood Scoops

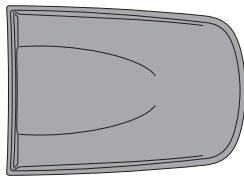
For proper installation and best possible fit, please read all instructions **BEFORE** you begin.

Important Safety Information

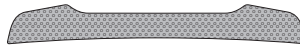


- CAUTION - Before driving, ensure that the hood scoops are properly secured to vehicle.
- Do not use automatic "brush-style" car washes.
- Do not use cleaning solvents of any kind.
- Periodically check that all components are secured.

Contents



Cowl Hood Scoop



Insert



Alcohol Pad x2

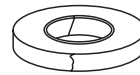
Tools Required



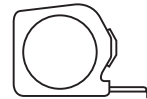
Car Wash Supplies



Clean Towel



Masking Tape



Tape Measure

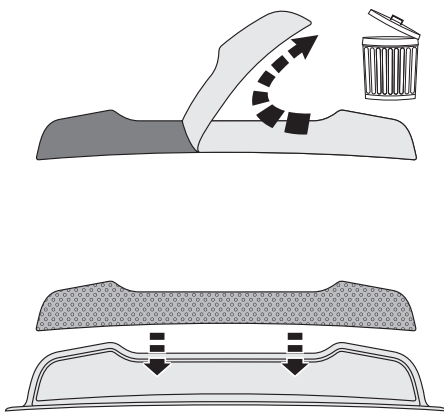
Preparation Before Painting / Installation

- A trial fit is recommended to ensure proper positioning and fit.
- Check fit of parts before painting as we will not accept the return of modified or painted parts.
- Wash your vehicle's hood to remove any debris and/or dirt.
- Dry the hood with a clean towel.

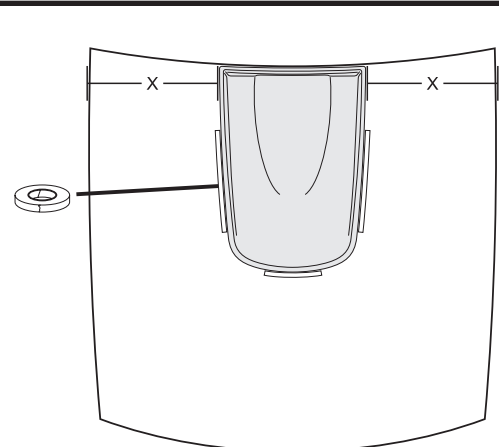
Installation Steps

NOTE: Actual application may vary slightly from illustrations.

1



2



Installation Steps

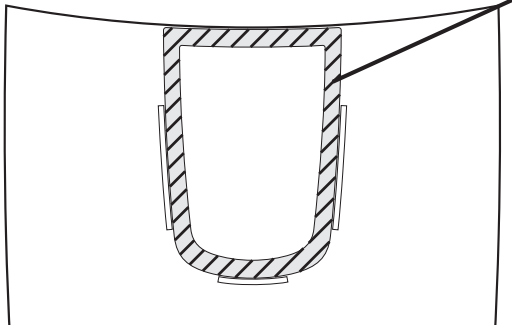
NOTE: Actual application may vary slightly from illustrations.

Alcohol Pad

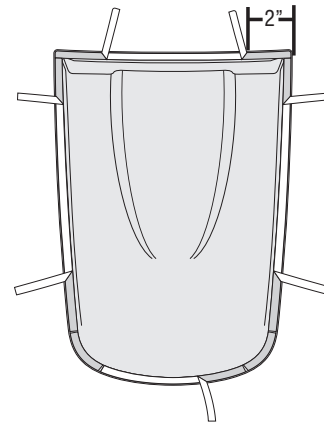
Clean hood scoop mounting location with alcohol pad.

Alcohol Pad

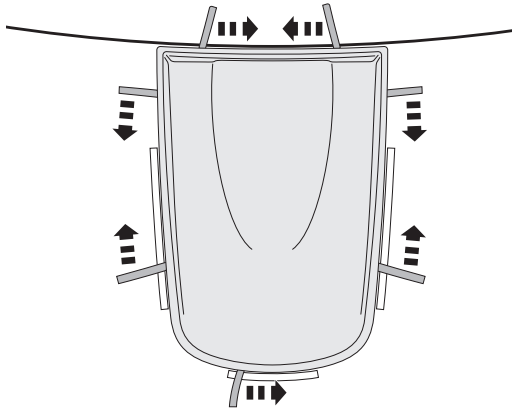
3



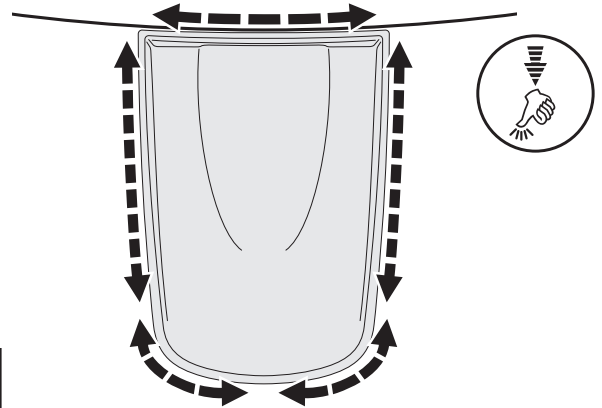
4



5



6



Care and Cleaning

- Wash only with mild soap & dry with a clean cloth.

Congratulations!

You have purchased one of the many quality Auto Ventshade™ branded products offered by Lund International, Inc. We take the utmost pride in our products and want you to enjoy years of satisfaction from your investment. We have made every effort to ensure that your product is top quality in terms of fit, durability, finish and ease of installation.

