

Installation Instructions

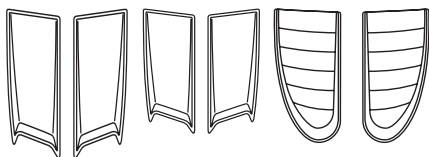
Hood Scoops

Important Safety Information



- CAUTION - Before driving, ensure that the hood scoops are properly secured to vehicle.
- Do not use automatic "brush-style" car washes.
- Do not use cleaning solvents of any kind.
- Periodically check that all components are secured.

Contents



Hood Scoop x1
(various styles shown)



Screen Insert x1 or x2
(depending on application)



Alcohol Pad x2

Tools Required



Car Wash Supplies



Clean Soft Cloth



Masking Tape

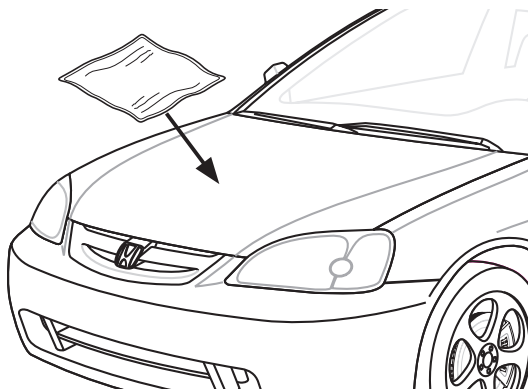
Preparation Before Painting / Installation

- A trial fit is recommended to ensure proper positioning and fit.
- Check fit of parts before painting as we will not accept the return of modified or painted parts.
- Wash your vehicle's hood to remove any debris and/or dirt.
- Dry the hood with a clean towel.

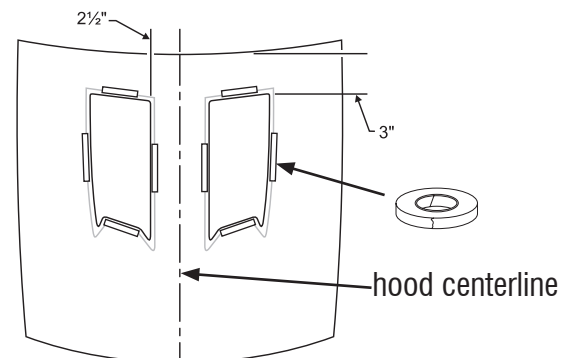
Installation Steps

NOTE: Actual application may vary slightly from illustrations.

Wash hood thoroughly.



Center part on hood, and mark edges for reference with masking tape.

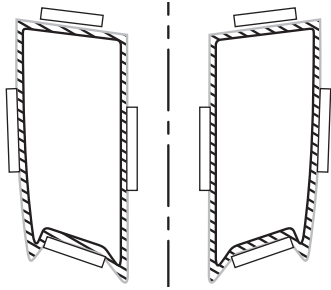


Installation Steps

NOTE: Actual application may vary slightly from illustrations.

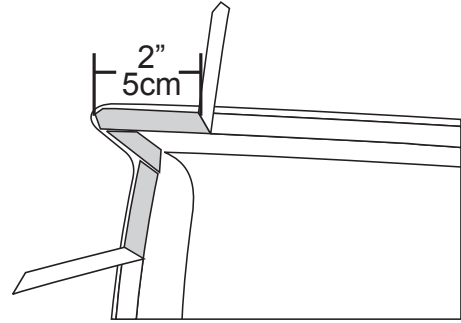
Alcohol Pad

Clean painted surface of hood where scoop will attach with alcohol pad.



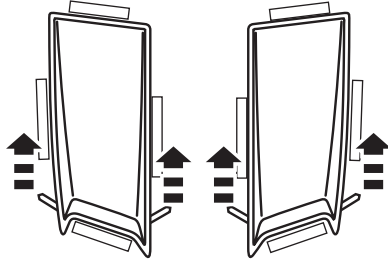
3

Peel back 2" of tape liner from each end of front flange.



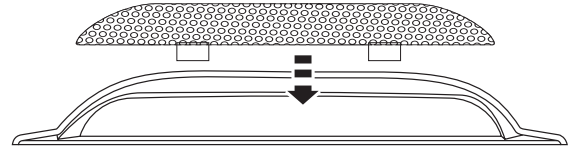
4

Position scoop on hood and apply pressure to exposed tape. In its final position, remove remaining tape by pulling on free ends. Apply pressure to all edges to ensure adhesion.



5

Remove adhesive tape to adhere inserts to hood scoop.



If applicable

6

Care and Cleaning

- Wash only with mild soap & dry with a clean cloth.

Congratulations!

You have purchased one of the many quality Auto Ventshade™ branded products offered by Lund International, Inc. We take the utmost pride in our products and want you to enjoy years of satisfaction from your investment. We have made every effort to ensure that your product is top quality in terms of fit, durability, finish and ease of installation.



Discover other custom hoods on our website.