

# Installation Instructions



## Important Safety Information



- CAUTION - Before driving, ensure that the step shield is properly anchored to vehicle.
- Do not use automatic "brush-style" car washes.
- Do not use cleaning solvents of any kind.
- Periodically check all components for tightness.

## Contents - 2 Piece Set

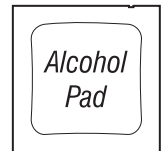
**NOTE:** Actual product may vary from illustration.



Driver Side Stepshield (LF)



Passenger Side Stepshield (RF)



Alcohol Prep Pad x2

## Contents - 4 Piece Set



Driver Side Front Stepshield (LF)



Passenger Side Front Stepshield (RF)



Driver Side Rear Stepshield (LR)



Passenger Side Rear Stepshield (RR)



Alcohol Prep Pad x4

## Tools Required



Car Wash Supplies



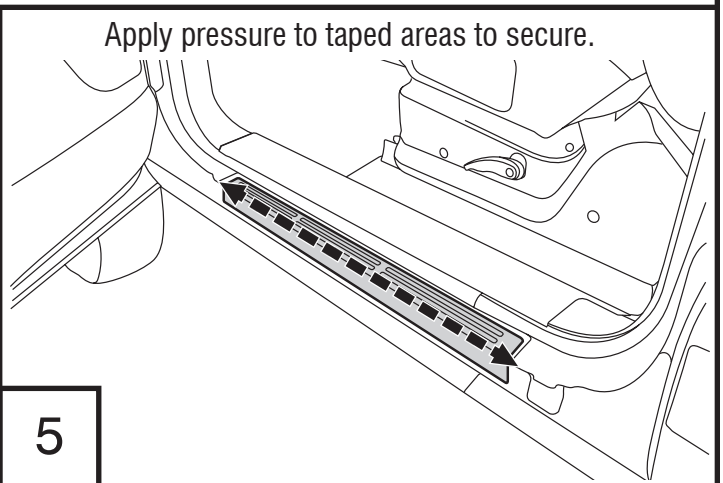
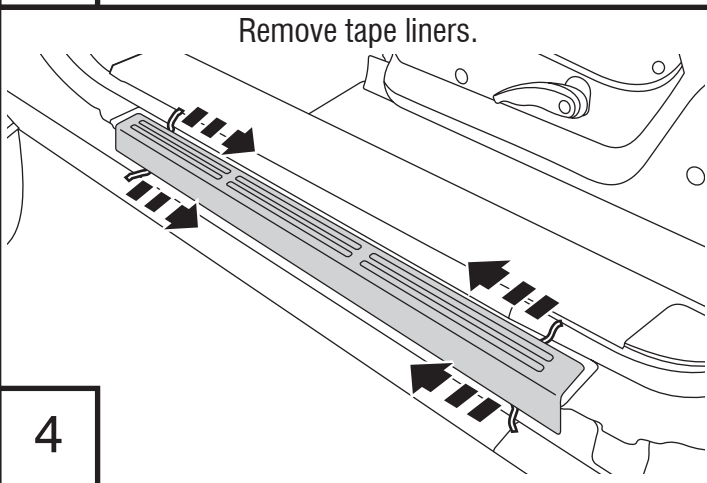
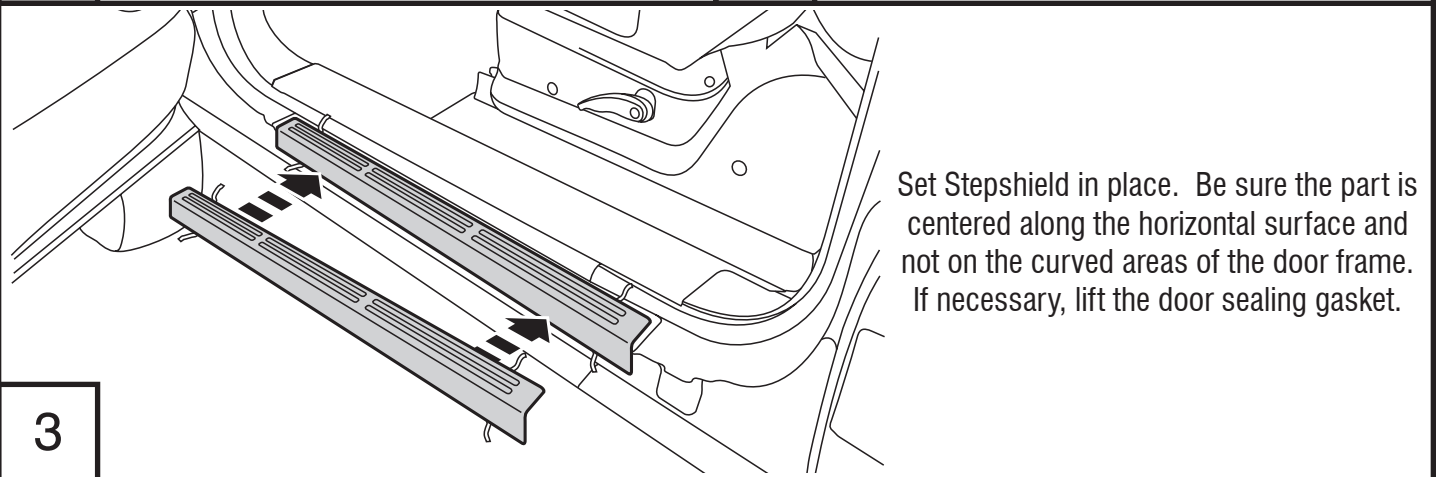
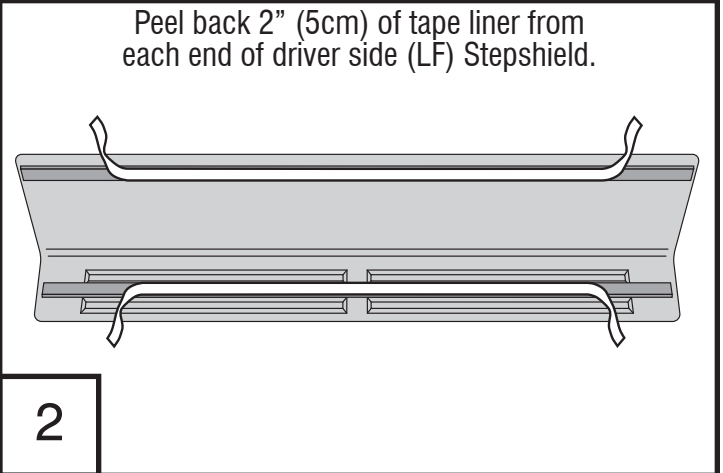
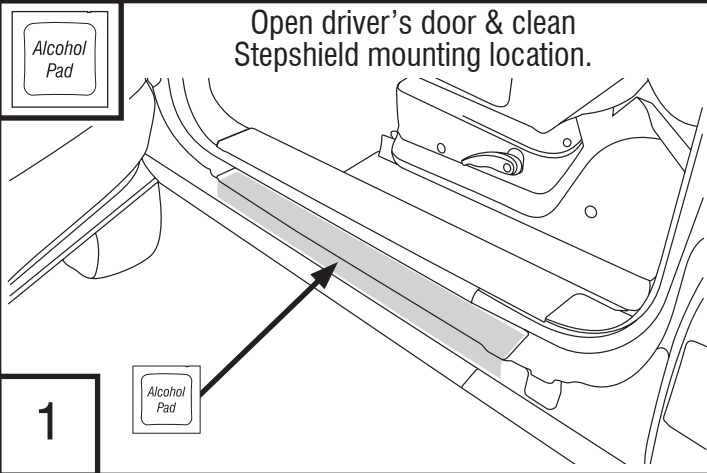
Clean Towel

## Preparation Before Painting / Installation

- A trial fit is recommended to ensure proper positioning and fit.
- Check fit of parts before painting as we will not accept the return of modified or painted parts.
- Wash your vehicle to remove any debris and/or dirt.
- Dry with a clean towel.

# Installation Steps

**NOTE:** Actual application may vary slightly from drawings.



## Care and Cleaning

- Wash only with mild soap & dry with a clean cloth.

## Congratulations!

You have purchased one of the many quality Auto Ventshade™ branded products offered by Lund International, Inc. We take the utmost pride in our products and want you to enjoy years of satisfaction from your investment. We have made every effort to ensure that your product is top quality in terms of fit, durability, finish and ease of installation.