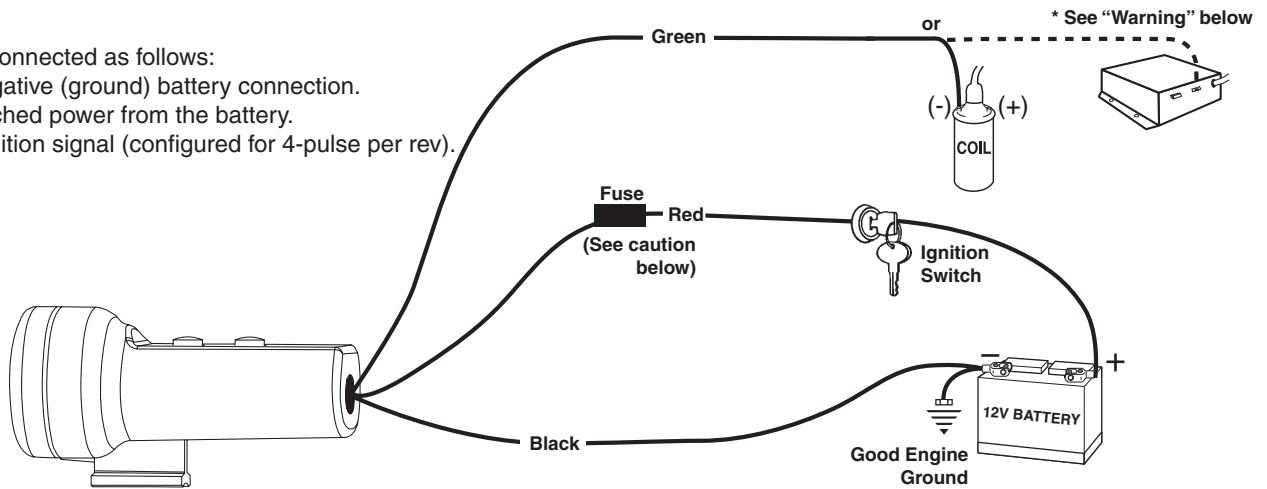


## Wiring

The wires are connected as follows:

- Black - Negative (ground) battery connection.
- Red - Switched power from the battery.
- Green - Ignition signal (configured for 4-pulse per rev).



### CAUTION!!!

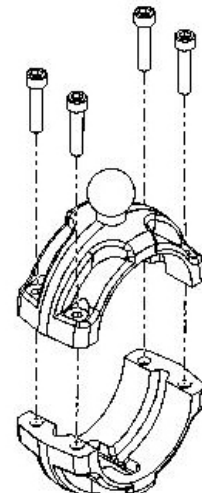
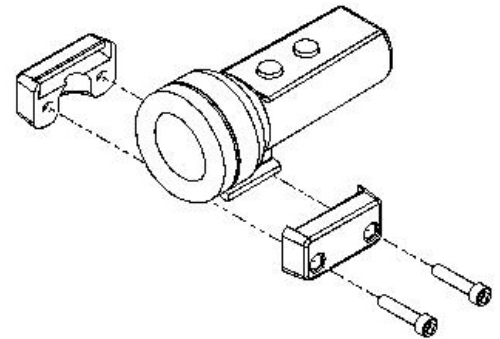
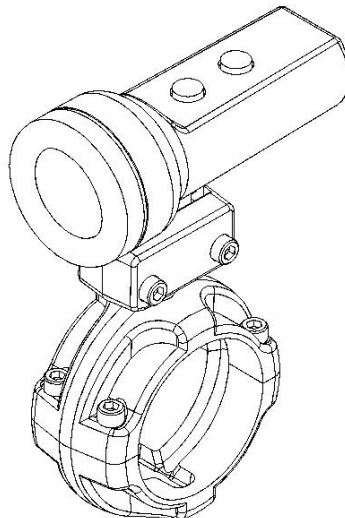
As a safety precaution the RED wire of this product should be fused before connecting it to the positive (+) side of switched power source. We recommend using a 1 Amp, fast-acting/automotive type fuse inline with the RED wire of our product.

### WARNING

Warranty will be void if connected to coil when using an aftermarket ignition box such as, but not limited to products from the following manufacturers: MSD, Crane, Jacobs, Mallory, Holley, Etc.. Prior to installation of your tachometer, check with the ignition box manufacturer for recommended tachometer signal location.

## Roll Pod Installation - (for 1-3/4" Roll Bar)

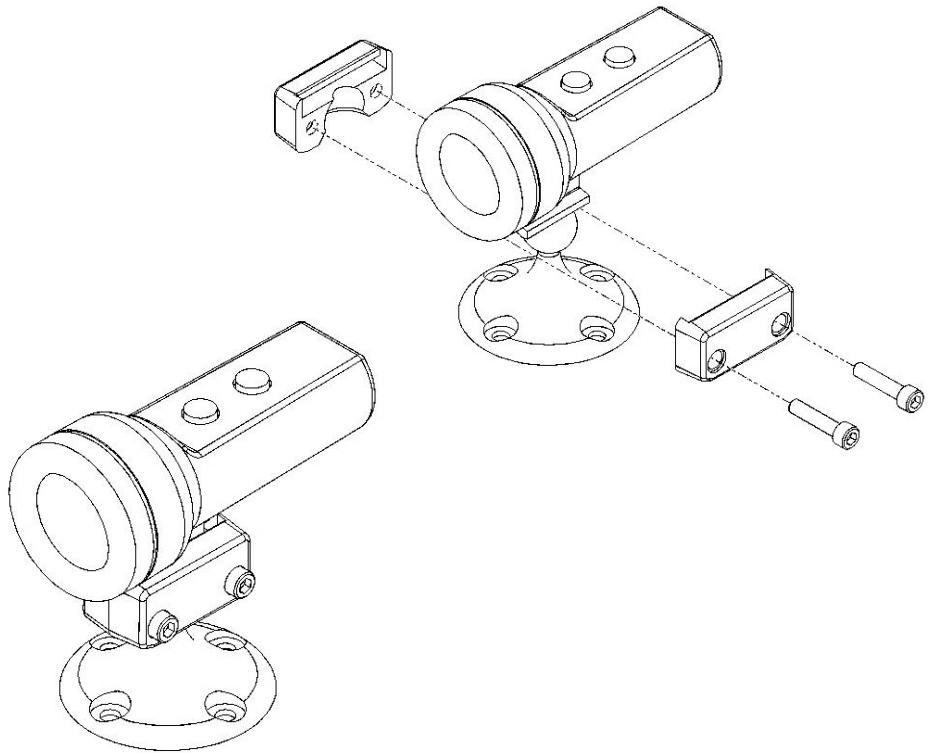
1. Remove all pieces from packaging.
2. Install two #8-32 x 3/4" Allen screws into the clamps, tighten until snug.
3. Assemble the two Roll Bar Bracket Clamps in the desired mounting position.
4. Install four #8-32 x 3/4" Allen screws until the Bracket Clamps fit snug, do not fully tighten.
5. Install and position the Shift Light in the desired position. Position the Shift Light so it does not block the view of the driver.
6. Once the position has been decided, tighten the screws on the roll bar bracket clamp and Shift Light clamp to 15 in./lbs.



---

## Pedestal Pod Installation

1. Remove all pieces from packaging.
2. Install two #8-32 x 3/4" Allen screws into the clamps, tighten until snug.
3. Position the Pedestal Mount on a flat surface in the desired mounting location. Using the four #8 x 5/8" self tapping screws, attach the pedestal to the surface.
4. Install and position the shift light in the desired position. Position the shift light so it does not block the view of the driver.
5. Once the position has been decided, tighten the screws on the Clamp to 15 in./lbs.



---

## Button Function

**Capture RPM** – requires the desired RPM input to the green wire

- Press and hold the front button (closest to the light display) to capture the shift point RPM value (solid red illumination).
- Press and hold the back button (closest to wires) to capture the over-warn shift point RPM value (blinking red illumination).

### Dimming

- Momentarily press the front button to increase brightness.
- Momentarily press the back button to decrease brightness.

*Note: All changes made are stored in the shift lights permanent memory*