

# INSTALLATION INSTRUCTIONS

## Mini Monster™ Tach Operation

2650-1166

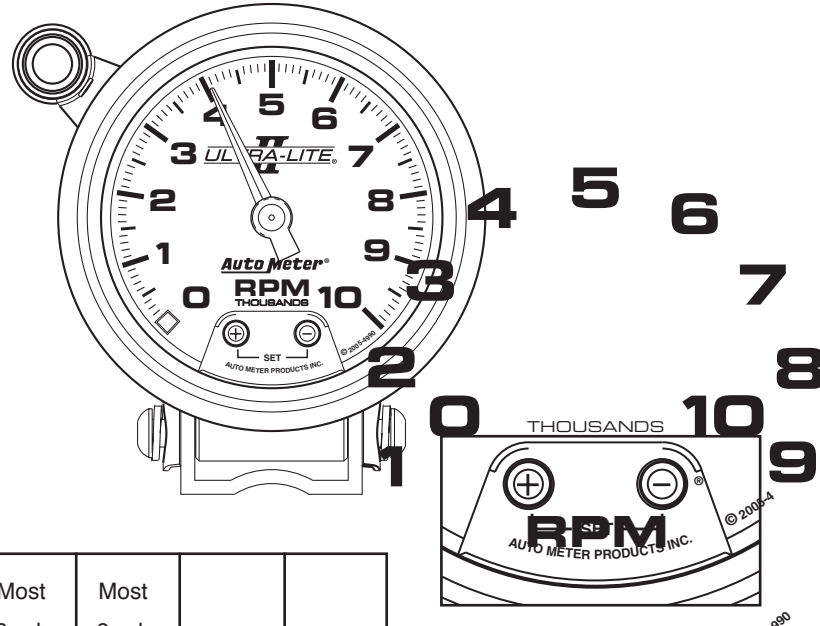


## Configuration

The tachometer is configured at the factory for 4 PPR. (8 CYL)

To change the PPR, follow the steps below:

1. With no power applied to the tach, press and hold the RIGHT “-” button.
2. While holding the “-” button, apply power to the tach by turning the ignition switch to the “Accessory” or “On” position. Do not start the engine! Release the RIGHT “-” button. The pointer will move to a position on the dial which indicates the default configuration of 4 PPR.
3. Press and release the LEFT “+” button to change the PPR setting. This will cause the pointer to indicate 5 PPR, then 6 PPR, then down to 0.5 PPR, then 1, 1.5, 2, 2.5, 3, and back to 4 PPR. See the table below to find the pointer reading that corresponds to the desired PPR.

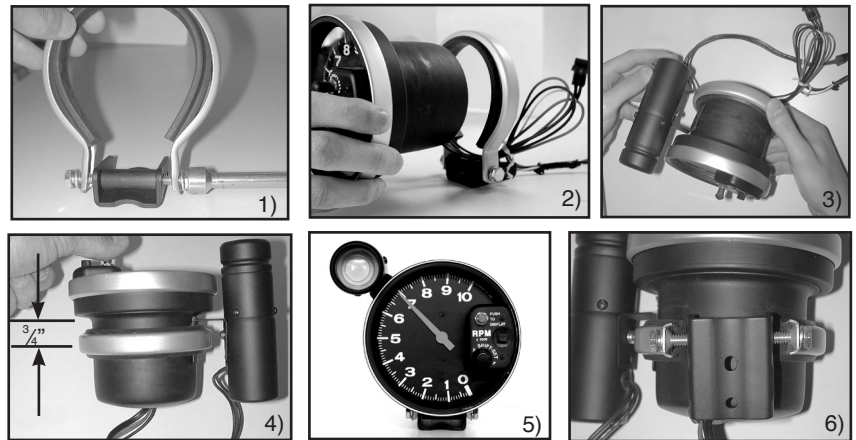


ENGINE		Most 2 cyl.		Most 4 cyl.		Most 6 cyl.	Most 8 cyl.		
PPR	0.5	1	1.5	2	2.5	3	4	5	6
DIAL RPM	500	1000	1500	2000	2500	3000	4000	5000	6000

4. When the pointer indicates the desired PPR, press and release the RIGHT “-” button to permanently store the settings and exit Configuration mode.

## Mounting

- 1) Loosen both bolts holding the shock strap to the mounting foot. Back both bolts ( $\frac{5}{32}$ " allen wrench) out until each is only one or two turns into the spacer.
- 2) Pass tach wires through shock strap assembly and slide tach casing into shock strap assembly.
- 3) Position Shift-Lite mounting bracket under shock strap as shown in image. Adjust Shift-Lite, tach, and mounting base to desired positions (see figure 4 for recommended shock strap position), and tighten bolts ( $\frac{5}{32}$ " allen wrench) holding mounting foot to shock strap to secure the assembly.
- 4) Make sure rubber section of shock strap seats properly to ensure proper fitment. Check to make sure shock strap is approximately  $\frac{3}{4}$ " (0.750") between center line of strap and step of tachometer casing for best mounting. Plug shift light into tachometer connector. Plug is directional, do not force fit!
- 5) Recommended placement of external Shift-Lite is at 10 o'clock position. It is possible to place Shift-Lite in other positions in accordance with driver preference and vehicle mounting requirements.
- 6) The special design of the tachometer base allows for a variety of mounting possibilities. Attach the base using screws provided or use a pop rivet tool.

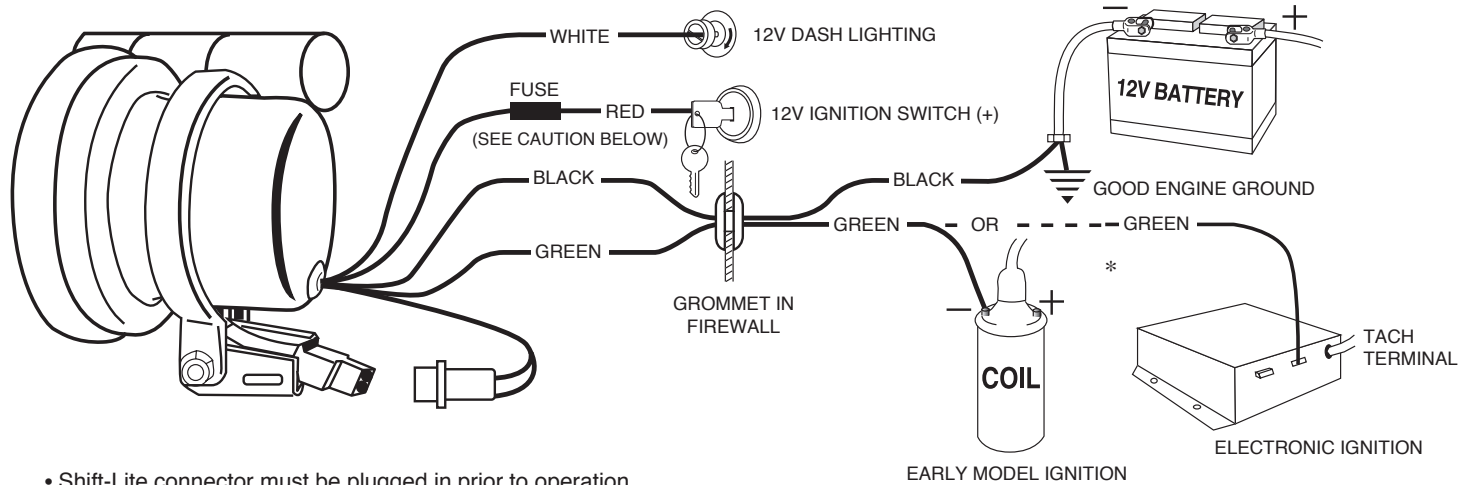


**Note:** Installation images shown may be different from your actual model.

# Operation

## 1 Shift-Lite Set Mode

- 1.1 To enter this mode, apply power to the tach by turning the ignition switch to the "Accessory" or "On" position. Do not start the engine!  
Press and release both the LEFT "+" and RIGHT "-" buttons at the same time. The pointer will indicate the current Shift-Lite set point.
- 1.2 Using the RIGHT "-" and LEFT "+" buttons, move the pointer to the desired RPM for the new Shift-Lite Set Point. Pressing the LEFT button will cause the pointer to move up (CW), pressing the RIGHT "-" button will cause the pointer to move down (CCW).
- 1.3 Press and release both the LEFT "+" and RIGHT "-" buttons at the same time to save the setting and exit Shift-Lite Set Mode.



\* See [autometer.com/tech\\_installation.aspx](http://autometer.com/tech_installation.aspx) for specific vehicle information.

### CAUTION!

As a safety precaution the Red wire of this product should be fused before connecting it to the positive (+) side of the 12V DC battery. We recommend using a 4 Amp, 3AG fast-acting type cartridge fuse (Littlefuse® # 312 004 or an equivalent) inline with the Red wire of our product.

### WARNING

Warranty will be void if connected to coil when using an aftermarket ignition box such as, but not limited to products from the following manufacturers: MSD, Crane, Jacobs, Mallory, Holley, Etc.. Prior to installation of your tachometer, check with the ignition box manufacturer for recommended tachometer signal location.