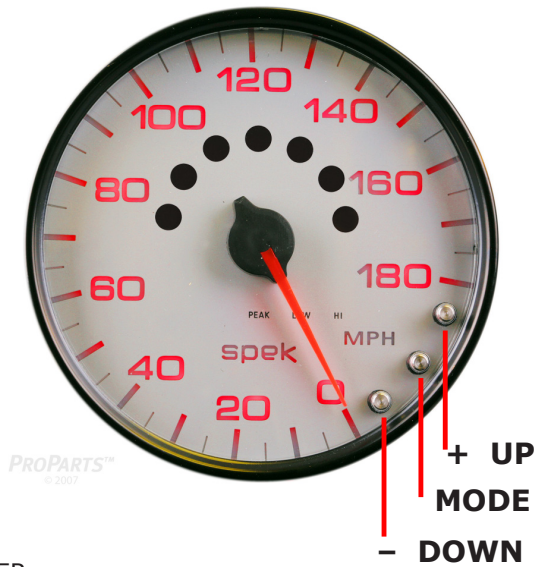


## Spek Pro Pro Racing Speedometer With High Speed Warning Instruction



### WIRING:

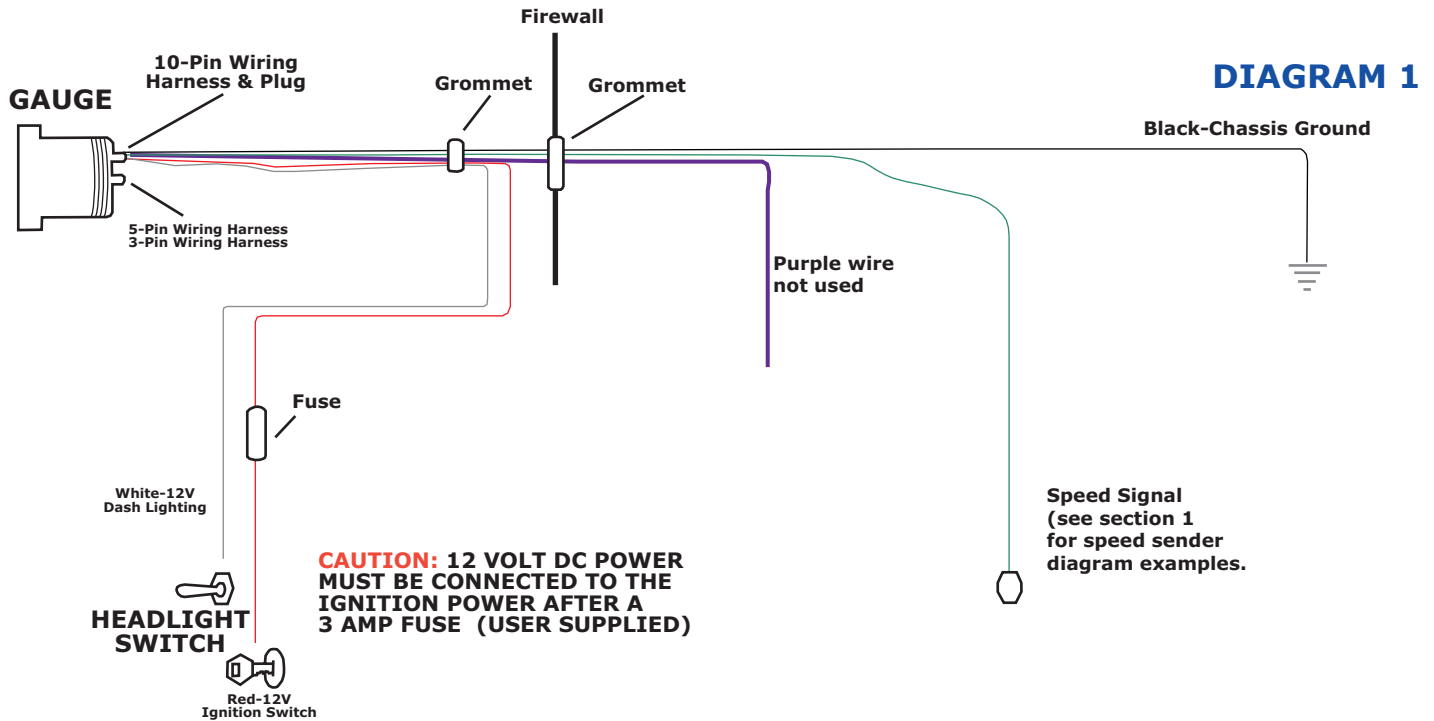
**RED:** SWITCHED, KEY ON POWER.

**BLACK:** CHASSIS, OR ENGINE GROUND.

**GREEN:** SPEED SIGNAL

**WHITE:** DASH LIGHTS DIMMING CIRCUIT (POWER CONTROLLED, NOT GROUND CONTROLLED)

**PURPLE:** NOT USED ON TACHOMETERS WITH PIT ROAD SPEED.



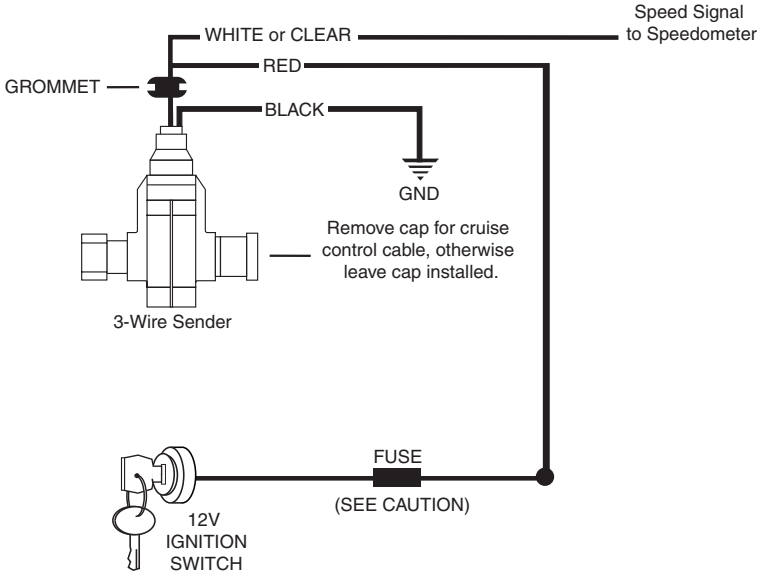
### Programming Basics:

The programming is achieved in steps, using the middle button on the face of the gauge. Think of the middle button, as a "Mode" button. The Left & Right buttons are basically "Down" & "Up" buttons. Please note, that each push & release of the buttons require about a 1 second push to activate. A quick tap may not register to the gauge, that you have pushed the button. Programming requires no speed signal going to it. If the tach does not go into a menu or submenu, cycle power off and then back on.

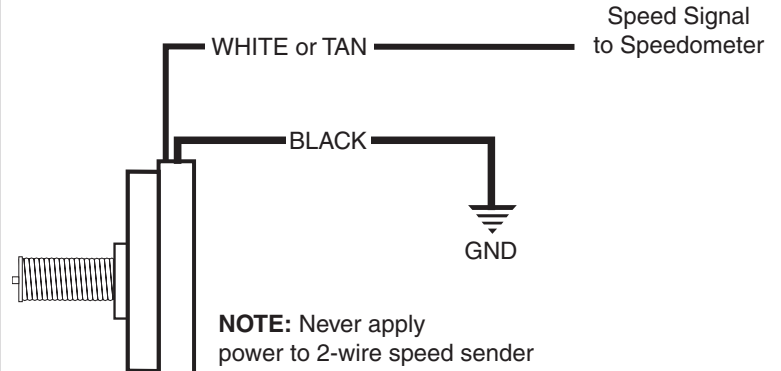
# Spek Pro Pro Racing Speedometer With High Speed Warning Instruction

## Section 1: Speed Signal Diagrams

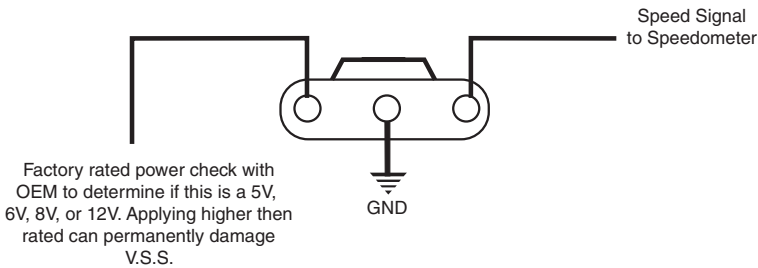
### Wiring w/ typical aftermarket 3-wire sender



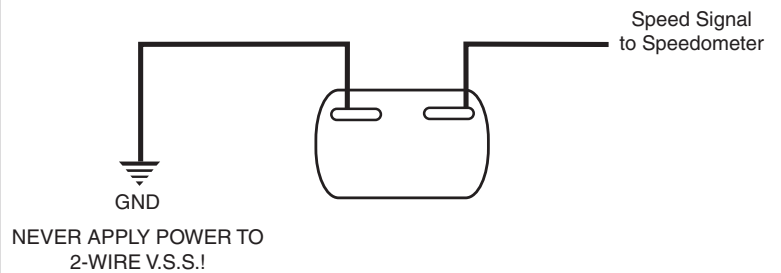
### Wiring w/ typical aftermarket 2-wire sender (and no computer)



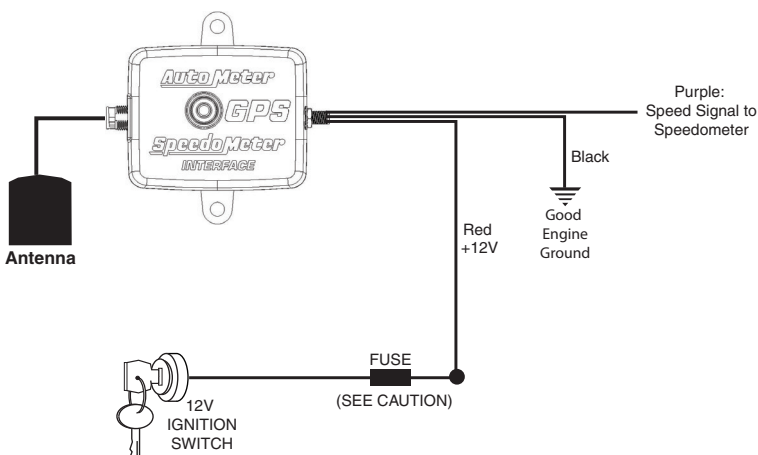
### Wiring w/ most OEM 3-wire V.S.S (Vehicle Speed Sensor)



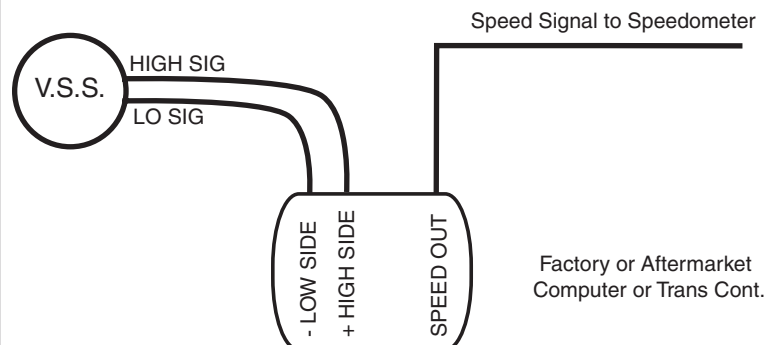
### Wiring w/ most OEM 2-wire V.S.S (When no computer involved)



### Wiring w/ Auto Meter 5289 GPS Interface



### Wiring w/ most OEM 2-wire V.S.S. when using computer or trans controller



# Spek Pro Pro Racing Speedometer With High Speed Warning Instruction

## **Adjust Pointer to Zero**

With power applied to the white wire and the tachometer powered on, press and release the MODE button 5 times. The PEAK, LOW, and HI indicators will be off and the pit road speed lights will be cycling. Press and hold both the MODE button and + UP button until the pointer stops climbing, and the pit road lights stay on solid then immediately release. The pointer will go to "0". Use the + UP button and the - DOWN button to adjust the pointer to move it to the center of the tick mark. You may press and release the MODE button to exit and save.

## **Lighting:**

### **Gauge Illumination Color Set**

With power on, press & release the center MODE button 4 times. The PEAK, LOW, and HI indicators and the gauge illumination will flash. Use the + UP button to move the pointer up and use the - DOWN button to move the pointer to the desired color. The pointer will sweep stopping incrementally on each color. You may press & release the MODE button twice to exit and save.

### **Illumination Brightness (when no power from dash lighting is used)**

With power on, press the center "mode" button 5 times. The PEAK, LOW, and HI indicators will be off and the pit road speed lights will cycle. Press and hold both the - DOWN button and the MODE button until the pointer stops climbing, then continue to hold these buttons until the shift lights/pit road lights stop flashing (about 2 seconds after the pointer stops climbing). Once there, release the two buttons. Use the + UP button to make the lighting brighter and use the - DOWN button to dim the illumination. You may push & release the MODE button to exit and save.

### **Speed Warning Indicators Brightness**

With power on, press the center "mode" button 5 times. The PEAK, LOW, and HI indicators will be off and the pit road speed lights will cycle. Use the UP or DOWN buttons to brighten or dim the speed warning indicators.

### **Changing Lit Pointer Brightness**

With power on, press & release the MODE button 4 times. The PEAK, LOW, and HI indicators and the gauge illumination will continue to flash. Press and hold both the - DOWN button and the MODE button until the pointer stops climbing. Hold the buttons for an additional 2 seconds (or until the indicators quit flashing) and then release the two buttons. Use the + UP button to make the lighting brighter and use the - DOWN button to dim the illumination. You may press & release the MODE button to exit and save.

## **High Speed Light & Peak Recall:**

### **High Redline / Speed Light Setting**

With power on, press and release the MODE button twice. The HI indicator will illuminate and the pointer will go to the current high setting. Use the + UP button to move the pointer higher and use the - DOWN button to move the pointer lower to the desired High Set point. You may press & release the MODE button 4 times to exit and save.

### **High Speed Light & PRS Light Brightness**

With power on, press & release the MODE button 5 times. The PEAK, LOW, and HI indicators will be off and the high speed lights will cycle. Use the + UP button to make the lighting brighter and use the DOWN-button to dim the illumination. You may push & release the MODE button to exit and save.

### **Peak/Erase**

With power on, press & release of the MODE button one time. The PEAK indicator will illuminate. The pointer will move to the peak speed reading. If no button is pushed for 4 seconds, the gauge will default back to the current speed reading. To clear the peak, push the - DOWN button while the peak is displayed. The Pointer will sweep to full scale and then return to the current speed indicating it has cleared the peak memory.

### **Demo Mode**

With power on, press and release the MODE button 4 times. The PEAK, LOW, and HI indicators and the gauge illumination will flash. Press and hold both the MODE button and the + UP button until the pointer stops climbing, and the indicators & illumination stop flashing, and immediately release the buttons. The tachometer will start to automatically start sweeping the pointer up & down, and going through several colors. To Exit demo mode, press and release the MODE button one time.

### **Factory Reset**

With power on, press and release the MODE button one time. The pointer will go to the current peak RPM. Press and hold both the MODE button and the + UP button until the pointer stops climbing. Hold the buttons for an additional 2 seconds and then release the two buttons. The pointer will sweep back and forth and the factory settings will be restored.

**NOTE: THIS SPEEDOMETER HAS NO ODOMETER, THEREFORE IS INTENDED FOR OFF ROAD USE AND MAY NOT BE LEGAL IN ALL JURISDICTIONS!**

# Spek Pro Pro Racing Speedometer With High Speed Warning Instruction

## Calibration

This requires a button push while driving at a steady 60 mph, therefore this is best performed on a closed-from-public road or track, a chassis dyno, or a very low traffic road.

- Step 1:** This step should be performed with vehicle sitting still. Prior to starting out and with the power on, or engine running, push and hold the Mode and Down buttons at the same time until the pointer stops climbing (about 5 seconds), then hold an additional 2 seconds and let go of the buttons. The gauge illumination will now be continuously flashing on & off. You may now proceed to the next step.
- Step 2:** The speedometer will not indicate speed while in calibration mode. Bring the vehicle up to 60 MPH (as verified with a lead vehicle, or some other speed source such as a GPS) and hold the speed steady. Push & Release the Mode button. The speedometer will now be calibrated. The accuracy of your speedometer will be directly affected by the accuracy of the 60 MPH speed driven during your calibration.