

INSTALLATION INSTRUCTIONS

GPS ELECTRIC SPEEDOMETER

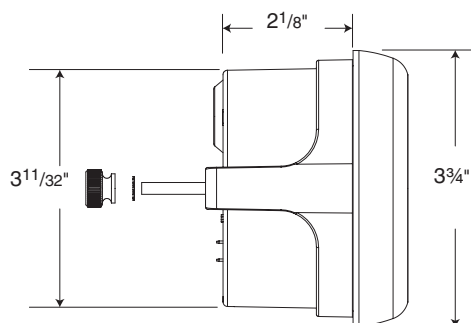
2650-1597-00 Rev. C



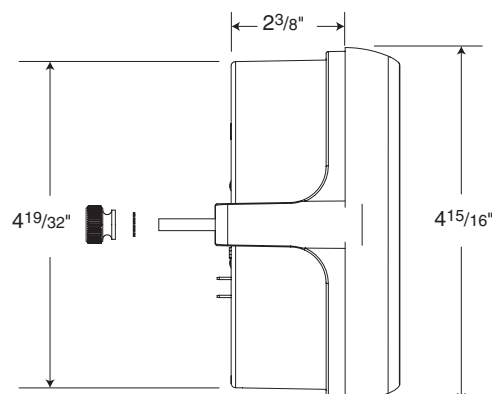
Mounting

1. Mount a 3³/₈" speedometer in a 3³/₈" dia. hole and a 5" speedometer in a 4⁵/₈" dia. hole. Be careful not to cut the hole too large.
2. Cut a 3³/₈" dia. hole in the firewall for the speedometer wires. Place a rubber grommet in the hole and route the wires through the grommet to the engine compartment.
3. Connect the speedometer wires as shown in the wiring sections.
4. Secure the speedometer to the dashboard using the provided bracket and hardware.

3³/₈" Models



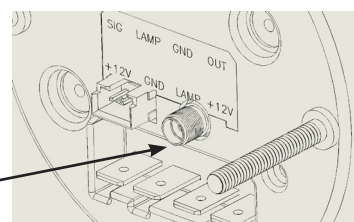
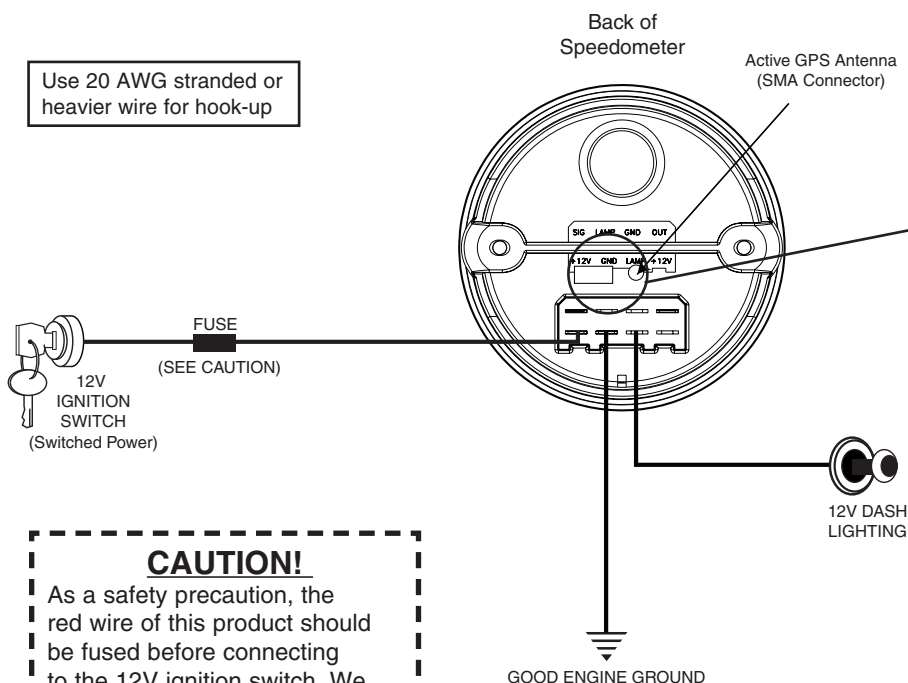
5" Models



Wiring

Connect the GPS speedo as shown below. Connect the external GPS antenna (supplied with unit) to the gold SMA connector on the back of the unit.

Use 20 AWG stranded or heavier wire for hook-up



GPS Antenna

CAUTION!

As a safety precaution, the red wire of this product should be fused before connecting to the 12V ignition switch. We recommend using a 3 AMP automotive type fuse.

Powering Speedometer

Once the speedometer is mounted and wired into the vehicle, the speedometer should be tested to verify that the electrical connections are working properly. First, apply power to the speedometer. The LED display will show "AMP GPS", then the firmware version number. *If an optional external NEMA data source is connected, a menu item will be displayed followed by the data for this menu item. If only the external antenna is connected, the readout will display "ACQUIRING SIGNAL". Once a valid position is determined the display will read "LOCKED" and go to the last selected menu item. External data will take precedence over the antenna input.

*This speedometer can be used with external NEMA data source using optional AutoMeter 5214 wire harness pigtail.

Time Set Up

The GPS speedometer already determines time, though you may have to set the time zone by setting the correct hour. To set this, turn power on to the speedometer, then wait for it to "Lock" onto signal. Once locked, use the left button and push & release until you get to "Time". Once the time is displayed, push & hold the left button, while pushing & releasing the right button until you get to the proper hour. Simply release the left button when done.

Note: When setting the hour, a 24 hour clock will be used.

During operation you can switch to a 12 hour clock by simply pushing & releasing the right button while in "Time" mode. It is recommended to do this after setting your time, and after noon so that you can see which clock setting you are in (12 hour or 24 hour) as both will read the same time up to the 12th hour.

Operation

There are nine menu items to choose from: Time, Directional Heading, Peak Speed, Speed, Trip (distance), Odometer, Location, Hours and Display. Press the left button to cycle between the different menu items.

- Time - will display the current time.
 - Heading - will display your current heading when moving as a compass direction and heading in degrees.
 - Peak Speed – will display your peak speed. This value can be cleared by pressing and releasing the right button.
 - Speed - Displays current speed.
 - Trip – will display the distance traveled since it was reset. This value can be cleared by pressing and releasing the right button.
 - Trip Time - Shows the elapsed time in hours, minutes and seconds since the speedometer was turned on.
 - Odometer – Will display the distance traveled since installed. This value can not be reset.
 - Location – will display your current latitude and longitude.
 - Hours – will show engine hours since installed. This value can not be reset.
 - Display – will control the brightness of the display. There are 6 levels of brightness. After entering the display mode the current brightness level will be displayed. Pressing the right button will advance the current brightness level, returning to the lowest level after level 6. Pressing the menu button or not pressing any button for 4 seconds will return the display to the time mode.
-

Light Replacement (Models that have incandescent lighting only)

Remove the plastic cap on the back of the speedometer. Using needle nose pliers, rotate the twist-lock lamp socket counterclockwise to remove. Replace old bulb with GE 168 bulb.

Antenna Placement

The antenna can be placed inside or outside of the vehicle. The antenna is waterproof and can be painted. Common mounting places are the roof, top of the dashboard, and top of rear package tray (interior of rear window). If using any other GPS device, keep antennas at opposite ends of the vehicle for best results. Closely mounted antennas can increase the time it takes to acquire a signal. (Service replacement antenna model #5283)