

# AP<sup>®</sup>

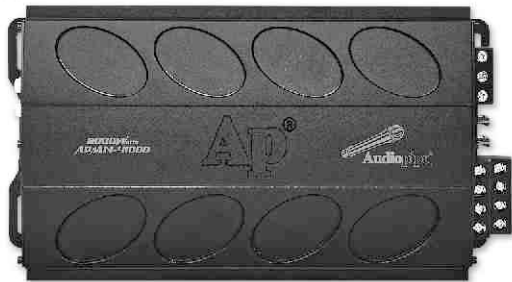
**Full Range  
Class D System**

**APMN-4100D  
.....  
2000W**

**APMN-4150D  
.....  
2500W**

**APMN-4200D  
.....  
3000W**

**Mini Design 4 Channel Mosfet Amplifier**



With Remote Bass Knob

## Owner's Manual



**INTRODUCTION**

***Congratulations!***

Thank you for purchasing this Audiopipe amplifier for your car audio system. Now you own an amplifier of uncompromising design and engineering incorporating the latest advanced circuit technology. You will discover soon that our amplifiers display optimum sound with high quality and provide reliable performance.

Audiopipe amplifiers are adopted by advanced craftsmanship which use the highest quality components and strict quality control system. In order to provide you the best performance. We recommend you to contact an authorized Audiopipe Dealer to do the installation.

Please read this manual thoroughly to ensure that you can get the maximum benefit from this new amplifier. When you install it properly, this unit will provide you years of trouble-free performance.

**ABOUT THE MANUAL**

Congratulations on your purchase of the Audiopipe Power Amplifier. We are committed to high-quality music reproduction, and we are confident that you will be pleased with your purchase. These products provide optimum performance, which we are sure you will enjoy for years to come.

For maximum performance Audiopipe recommends having your amplifier installed by an authorized Audiopipe dealer.

**WARRANTY**

Audiopipe warrants this amplifier for one year from date of purchase against all manufacturing defects only.

Warranty does not include physical damage or electrical abuse from being over-driven or short circuit from speaker failure.

Amplifier must be installed by an authorized Audiopipe dealer or there is no warranty.

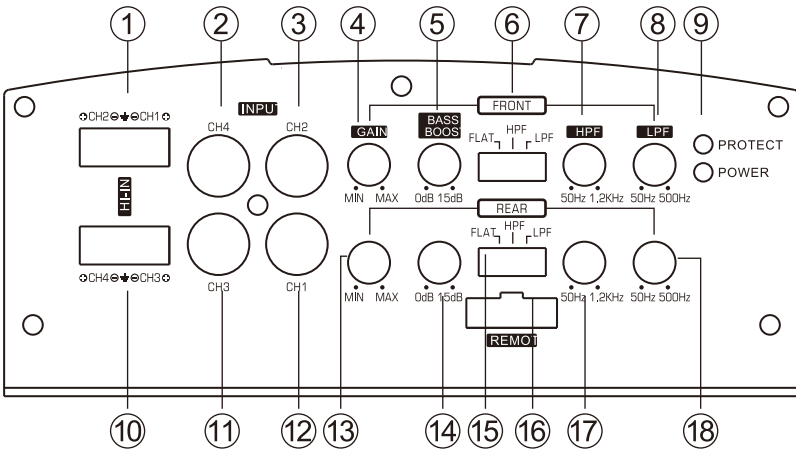
Amplifier must be returned to Audiopipe freight pre-paid, Audiopipe will pay return freight to authorized dealer.

**TABLE OF CONTENTS**

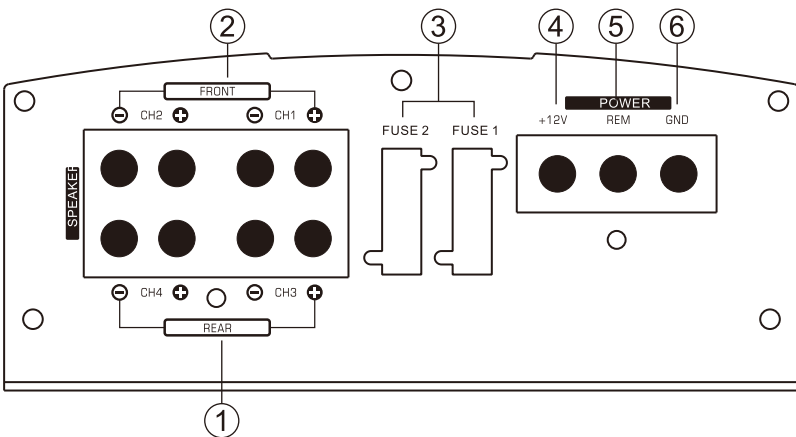
Amplifier Functions .....	1
Installation .....	3
Wiring and Applications .....	4
Troubleshooting .....	10
Product Specifications .....	11

**AMPLIFIER FUNCTIONS**

**APMN-4100D**

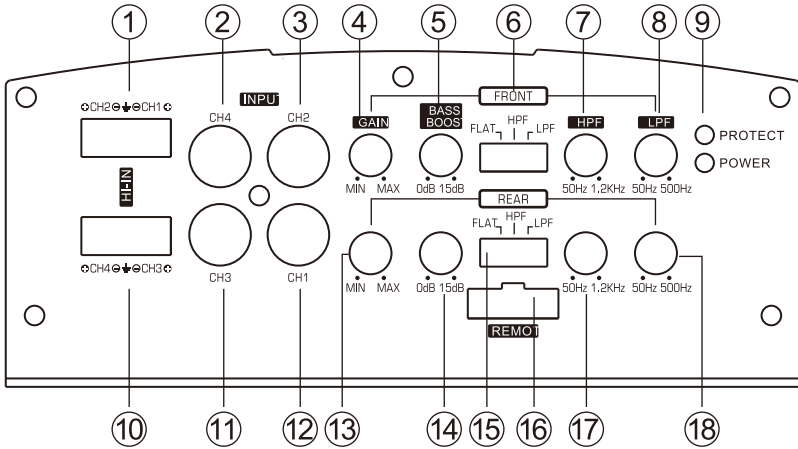


- |                                   |                                   |
|-----------------------------------|-----------------------------------|
| 1. Front High Level Input         | 10. Rear High Level Input         |
| 2. Rear Right RCA Input Jacks     | 11. Rear Left RCA Input Jacks     |
| 3. Front Right RCA Input Jacks    | 12. Front Left RCA Input Jacks    |
| 4. Front GAIN Control             | 13. Rear GAIN Control             |
| 5. Front Bass Boost Level         | 14. Rear Bass Boost Level         |
| 6. Front Filter Select Switch     | 15. Rear Filter Select Switch     |
| 7. Front High Pass Filter Control | 16. Remote Volume Control         |
| 8. Front Low Pass Filter Control  | 17. Rear High Pass Filter Control |
| 9. Power/Protect LED              | 18. Rear Low Pass Filter Control  |

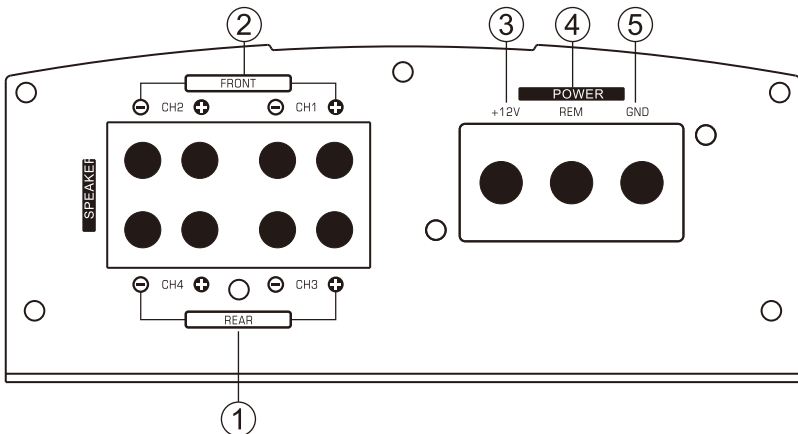


- |                         |                         |
|-------------------------|-------------------------|
| 1. Rear Speaker Output  | 4. Battery +12V Input   |
| 2. Front Speaker Output | 5. Remote Turn-on Input |
| 3. 2x30 Amp Fuse        | 6. Ground Input         |

## APMN-4150D/APMN-4200D



- |                                   |                                   |
|-----------------------------------|-----------------------------------|
| 1. Front High Level Input         | 10. Rear High Level Input         |
| 2. Rear Right RCA Input Jacks     | 11. Rear Left RCA Input Jacks     |
| 3. Front Right RCA Input Jacks    | 12. Front Left RCA Input Jacks    |
| 4. Front GAIN Control             | 13. Rear GAIN Control             |
| 5. Front Bass Boost Level         | 14. Rear Bass Boost Level         |
| 6. Front Filter Select Switch     | 15. Rear Filter Select Switch     |
| 7. Front High Pass Filter Control | 16. Remote Volume Control         |
| 8. Front Low Pass Filter Control  | 17. Rear High Pass Filter Control |
| 9. Power/Protect LED              | 18. Rear Low Pass Filter Control  |



- |                         |                         |
|-------------------------|-------------------------|
| 1. Rear Speaker Output  | 4. Remote Turn-on Input |
| 2. Front Speaker Output | 5. Ground Input         |
| 3. Battery +12V Input   |                         |

## **INSTALLATION**

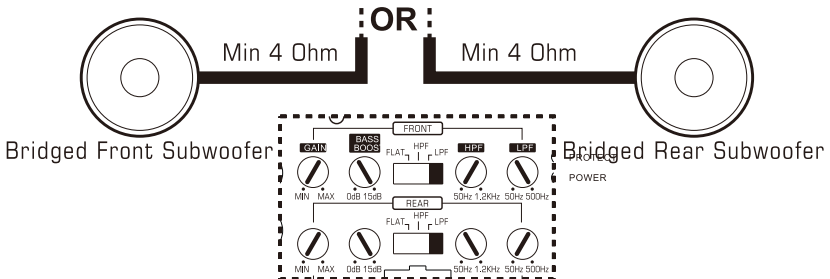
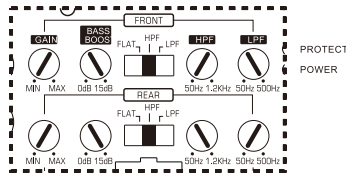
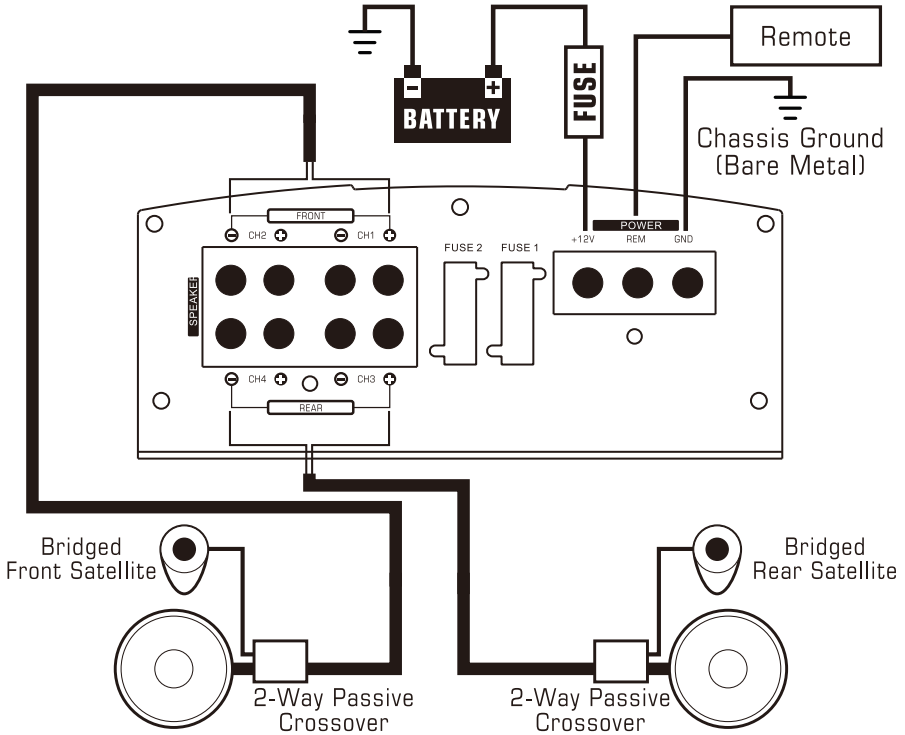
We recommend you have the installation done by an Authorized Audiopipe Dealer. The ground wire should be connected directly with the chassis of your vehicle which should be a metal to metal ground point connection. The amplifier must be mounted securely at a solid, dry and low vibration surface in the trunk or passenger area. Mount the amplifier in an open air area to insure proper heat dissipation. Mount the amplifier in a place where you can access it easily to set the input controllers. Install all amplifier cables as far as possible from car electrical cables such as the car ignition cable.

### **IMPORTANT:**

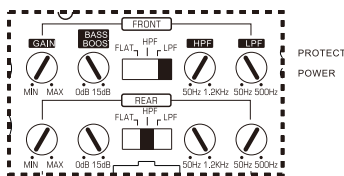
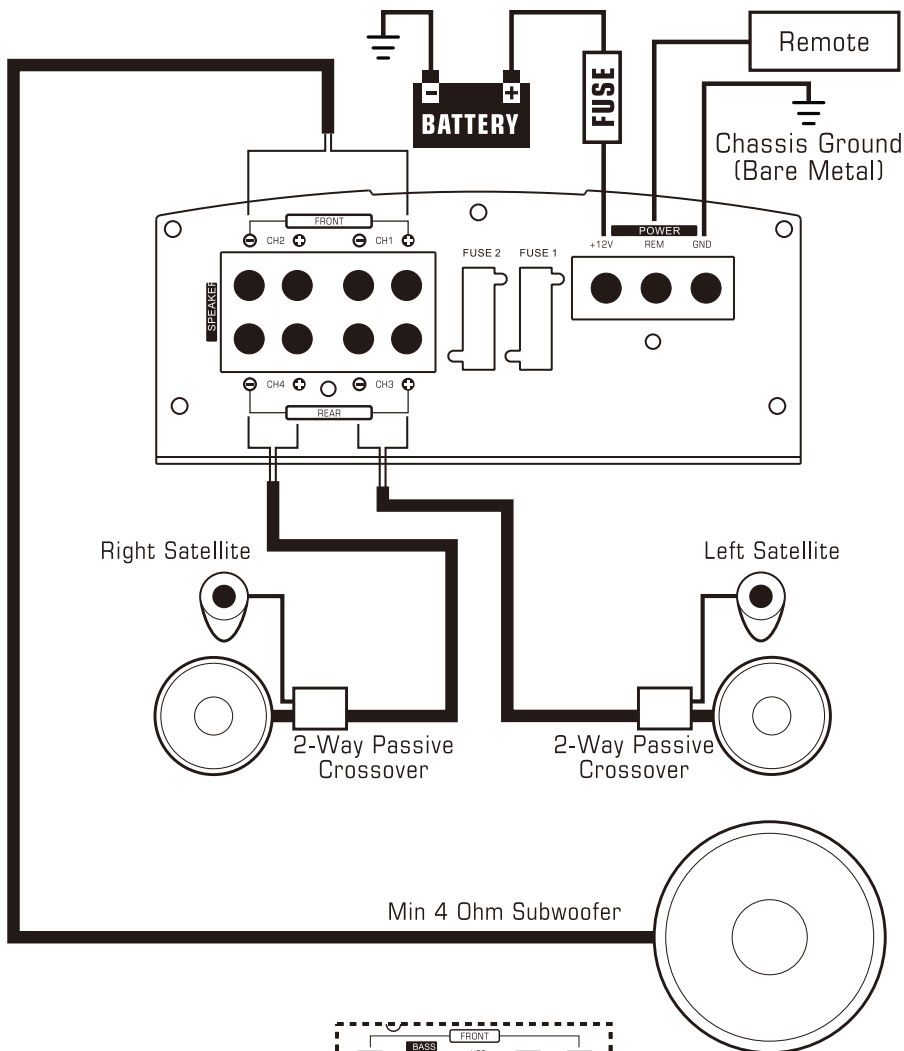
- When bridging two amplifiers please refer the bridging wiring chart.
- When bridging two amplifiers you should use same model amplifiers.
- Please make sure the negative speaker terminal of two amplifiers are connected by the same gauge cables as the positive terminal being used.
- DO NOT connect any signal cables with the input RCA jacks when bridged as slave unit.
- The LPF, Input level and remote functions will be disabled on slave amplifier when bridged.
- All the functions of the slave amplifier will be adjusted by the master amplifier.

**WIRING AND APPLICATIONS**

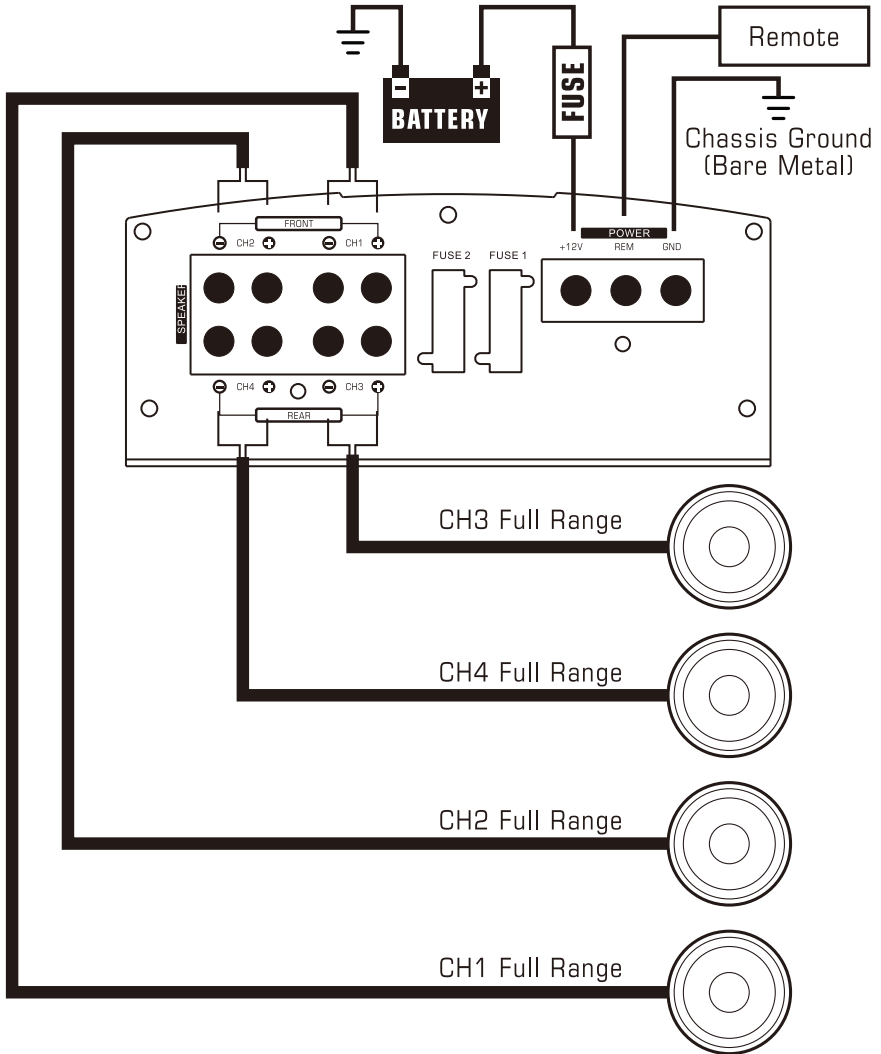
**APMN-4100D  
2-CHANNEL HIGH POWER SYSTEM (SATELLITE OR SUBWOOFER)**



## APMN-4100D BRIDGED-MONO SUBWOOFER SYSTEM

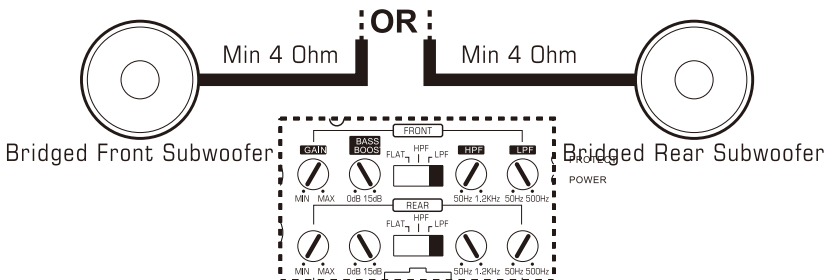
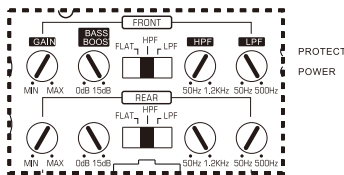
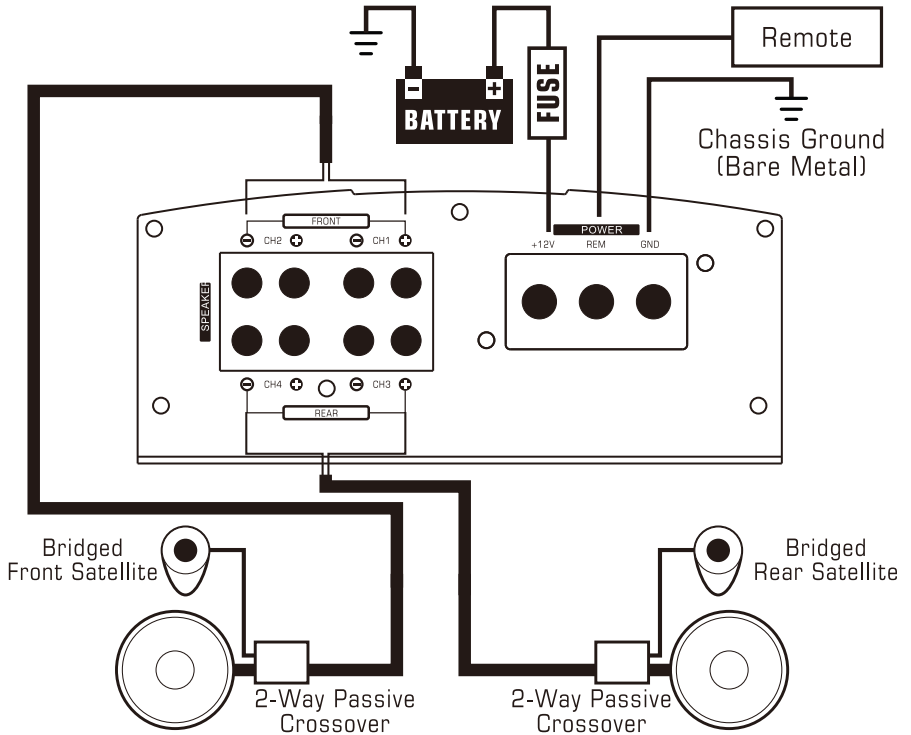


## APMN-4100D 4-CHANNEL FULL-RANGE OPERATION

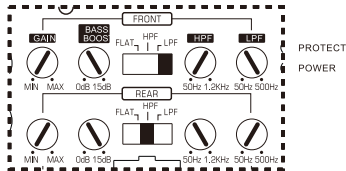
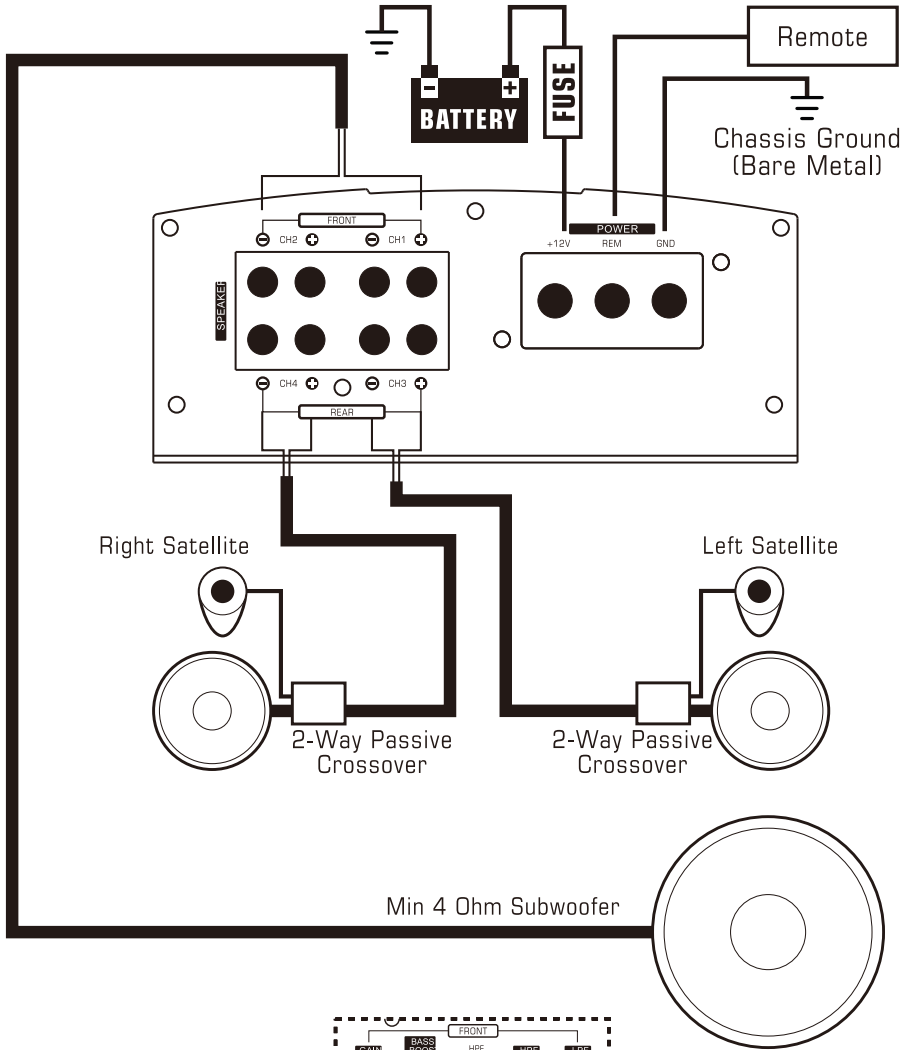




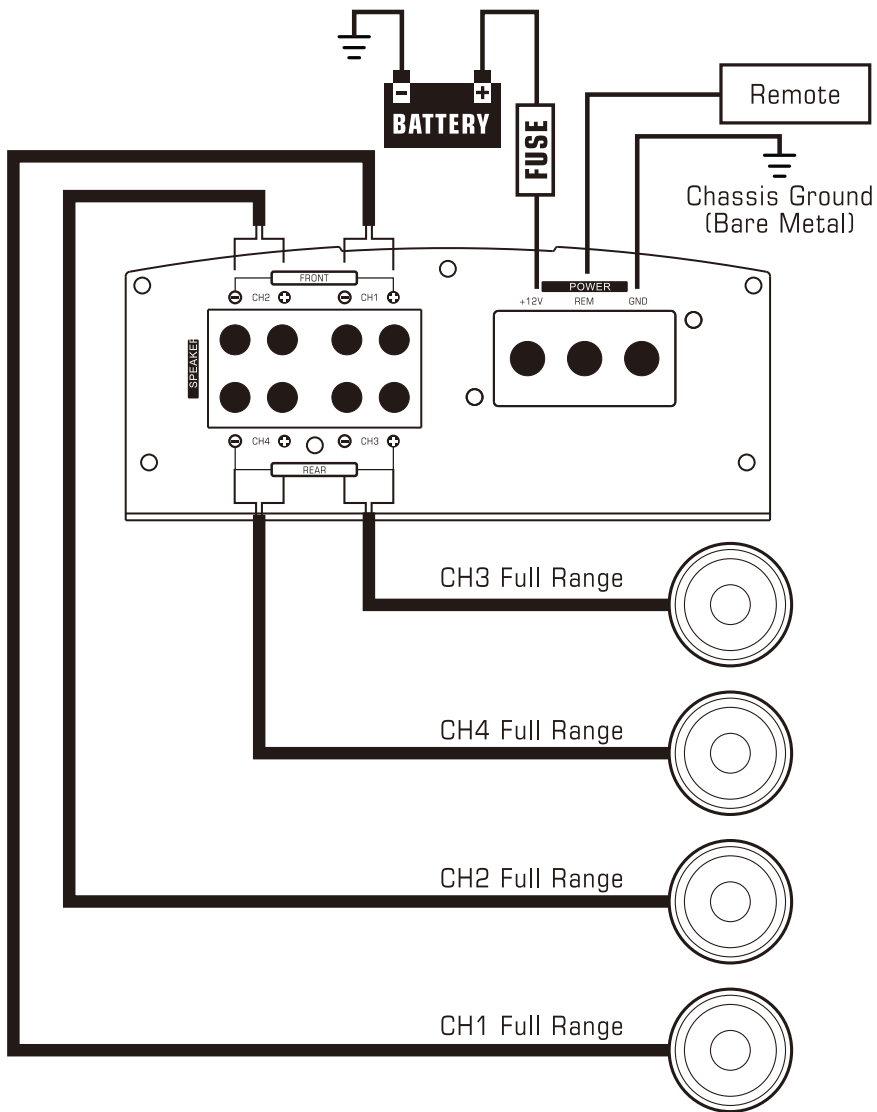
## APMN-4150D/APMN-4200D 2-CHANNEL HIGH POWER SYSTEM (SATELLITE OR SUBWOOFER)



## APMN-4150D/APMN-4200D BRIDGED-MONO SUBWOOFER SYSTEM



### APMN-4150D/APMN-4200D 4-CHANNEL FULL-RANGE OPERATION



## **TROUBLESHOOTING**

### **Problem**

Run indicator doesn't light up.

### **Solution**

- *Check all fuses on the amplifier.*
- *Check main fuse near the battery.*
- *Check plus and minus battery cables.*
- *Check remote voltage.*

### **Problem**

Run indicator is on but no sound.

### **Solution**

- *Check volume control on the radio.*
- *Check GAIN regulator on the amplifier.*
- *Check RCA cables and connections.*
- *Check speaker cables and connections.*

### **Problem**

Bass response is low.

### **Solution**

- *Check volume control on the radio.*
- *Check GAIN regulator on the amplifier.*
- *Check RCA cables and connections.*
- *Check speaker cables and connections.*

### **Problem**

The amplifier switches on and off.

### **Solution**

- *Check chassis ground connection with amplifier cable and check battery terminal connections and check remote turn-on voltage.*

For additional questions please contact your authorized Audiopipe dealer.

**PRODUCT SPECIFICATIONS****APMN-4100D**

RMS @ 4 Ohm (<1% DISTORTION) .....	4 x 100W
RMS @ 2 Ohm (<1% DISTORTION) .....	4 x 190W
Maximum Power Output .....	2 x 250W
Frequency Response .....	50Hz ~ 1.2kHz
Signal to Noise Ratio .....	>80dB
THD .....	≤0.5%
Input Sensitivity Level .....	0.2 ~ 6V
LPF .....	50Hz ~ 500Hz
HPF .....	50Hz ~ 1.2kHz
Current Draw .....	60A
Bass Boost Level.....	0 ~15dB
Components & PCB .....	Double Side Board
Dimension (W x H x D) .....	251 x 55 x 160mm

**APMN-4150D**

RMS @ 4 Ohm (<1% DISTORTION) .....	4 x 150W
RMS @ 2 Ohm (<1% DISTORTION) .....	4 x 200W
Maximum Power Output .....	2 x 360W
Frequency Response .....	50Hz ~ 1.2kHz
Signal to Noise Ratio .....	>80dB
THD .....	≤0.5%
Input Sensitivity Level .....	0.2 ~ 6V
LPF .....	50Hz ~ 500Hz
HPF .....	50Hz ~ 1.2kHz
Current Draw .....	70A
Bass Boost Level.....	0 ~15dB
Components & PCB .....	Double Side Board
Dimension (W x H x D) .....	301 x 55 x 160mm

**PRODUCT SPECIFICATIONS**

**APMN-4200D**

RMS @ 4 Ohm (<1% DISTORTION) .....	4 x 182W
RMS @ 2 Ohm (<1% DISTORTION) .....	4 x 242W
Maximum Power Output .....	2 x 420W
Frequency Response .....	50Hz ~ 1.2kHz
Signal to Noise Ratio .....	>80dB
THD .....	≤0.5%
Input Sensitivity Level .....	0.2 ~ 6V
LPF .....	50Hz ~ 500Hz
HPF .....	50 Hz~ 1.2kHz
Current Draw .....	80A
Bass Boost Level.....	0 ~15dB
Components & PCB .....	Double Side Board
Dimension (W x H x D) .....	341 x 55 x 160mm