

attwood®

Anti-Glare All-Round Light with Folding Pole

5340 Series Installation Instructions

SAVE THESE INSTRUCTIONS

Form Number 69389 Rev. A

03-02

Meets USCG CFR 183.810, ABYC A-16 requirements, and all applicable standards as tested by Imanna Labs, 7/19/2002. 2 Nautical Mile visibility. Uses Lamp 9235, #906, 13V, 6 Candle Power.

CAUTION:

Read all instructions carefully before installing and using this product.

All positive (+12V DC) lighting wires require a 1-amp fuse to protect circuits and vessel. The aluminum light pole is not grounded. **MAKE SURE POWER SOURCE IS 12-VOLT DC ONLY. HIGHER VOLTAGE WILL DAMAGE LIGHT AND CIRCUITRY.**

⚠ WARNING:

Disconnect power when installing or servicing this product. Remove boat from water before using any 120V AC tools.

LOCATION

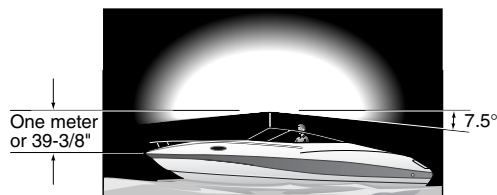
Anti-Glare All-Round Lights are designed for boats up to 39.4 feet (12m). Position the Anti-Glare All-Round Light so its bulb is not less than one meter (39.4") above sidelights. If replacing an existing pole light, replace with a pole at least as long as the existing.

Mount the anti-glare light in a position so that:

- Light output is flat and parallel to water when boat is floating.
- Light shines 360°, unobstructed.
- Light does not shine on operator, or reflect off any part of the boat in the operator's field of vision.

EXTENDING AND FOLDING THE POLE

Figure 1



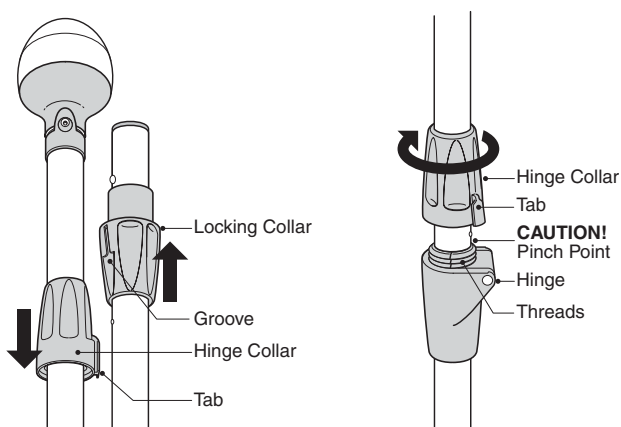
The light is shipped with the pole folded and collars locked.

1. To unlock pole: Hold folded pole with lens upright. Pull hinge collar down (on lens half of pole). Pull the opposite locking collar up. This separates the collars. (Figure 2)

CAUTION: When unfolding pole, do not pinch fingers in hinge.

2. Unfold pole so it is straight and threads are tight together. Slide hinge collar down and turn onto threads. Hand-tighten only.
3. To fold and stow, reverse steps 1 and 2. Insert tab of hinge collar into groove of locking collar. Press collars together.

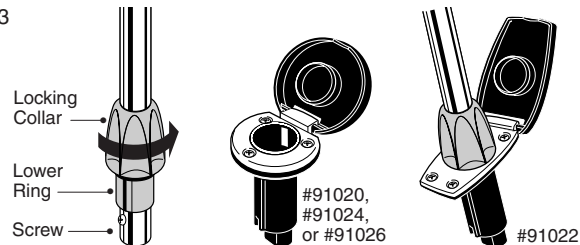
Figure 2



INSTALLATION

1. Align pole screw with slot in the base. Insert pole into base (Figure 3).

Figure 3



2. Press down firmly to engage electrical connectors.
3. Slide locking collar down to base, rotate until you can insert lower ring inside top of base.
4. Press collar down into base and rotate until it tightens between pole and base.

NOTE: Periodically check pole to make sure it is secure.

5. To remove light, rotate locking collar in opposite direction until it loosens, then pull up on pole.

TO CONVERT POLE FOR USE WITHOUT LOCKING COLLAR

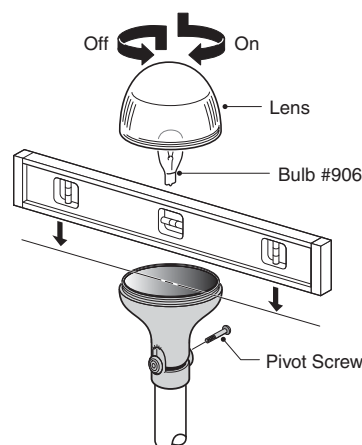
1. For bases that do not accept locking collar, remove screw at bottom of pole. Slide locking collar off end of pole.
2. Replace screw in the upper screw hole.

TO ADJUST ANTI-GLARE ARTICULATING HEAD

For best glare reduction, adjust light while the boat is floating, or at the same attitude as if it were floating.

1. Unscrew lens counter-clockwise and remove. Remove bulb.
2. Remove the pivot screw. Pull the top pivot up and away from yoke. Place a small level on top of the socket and rotate to level position. (Figure 4)

Figure 4



3. When it is level, push yoke and pivot back together. Replace and tighten screw. (Do not over tighten.) Replace bulb.

OPERATION

After installation, check lights to verify proper operation. Regulations require lights to be operated with a three-position switch for:

- Running lights (sidelights and all-round light); Anchor lights (all-round light only); Off.

NOTE: Do not use light pole as a flagpole or handle.

MAINTENANCE

Store folding pole light in Pole Light Storage Clips (Attwood #7571). Choose a storage location where light will not be damaged or be in constant contact with water.

Replacing Bulb

1. Unscrew lens counter-clockwise and remove. Pull bulb straight up (Figure 4)
2. Replace bulb with #906 9-Watt Wedge Base Replacement Bulb (Attwood 9235-7) available in marine, auto, and convenience stores.
3. Screw lens clockwise onto pole.
4. If lens requires replacement, order Attwood #912852. Clean the light with a mild soap and warm water solution. Never use solvents or abrasives that may damage the lens or light housing.

Learn more about boat navigation lights we have.