

Cabin Air Filter Installation Instructions

Interior ventilation filter is located behind the glove box door inside filter housing.

1. Open passenger side door to remove side cover panel. Open glove box door. Remove (1) side cover panel retaining screw, unscrew remaining glove box compartment retaining screws and remove glove box compartment assembly. (See Figure 1)
2. Remove the filter housing cover by squeezing the lock tabs on the cover. (See Figure 2)
3. Slide filter out of housing. (See Figure 3)
4. Installation is in the reverse order of removal.

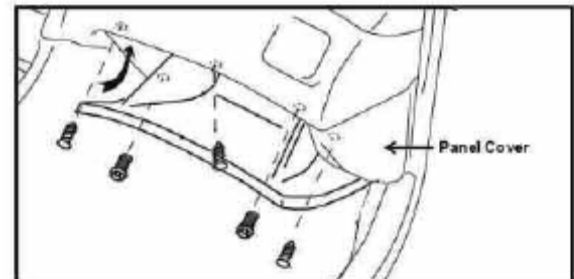


Figure 1

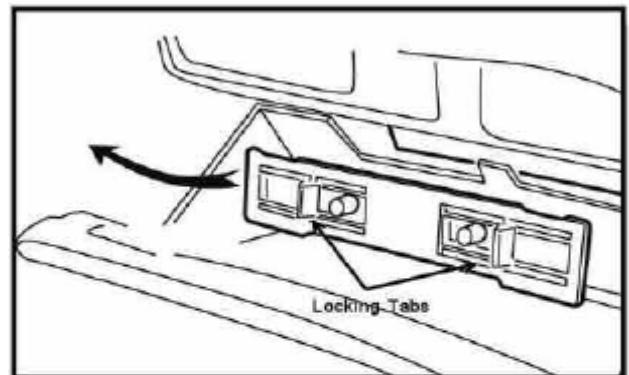


Figure 2

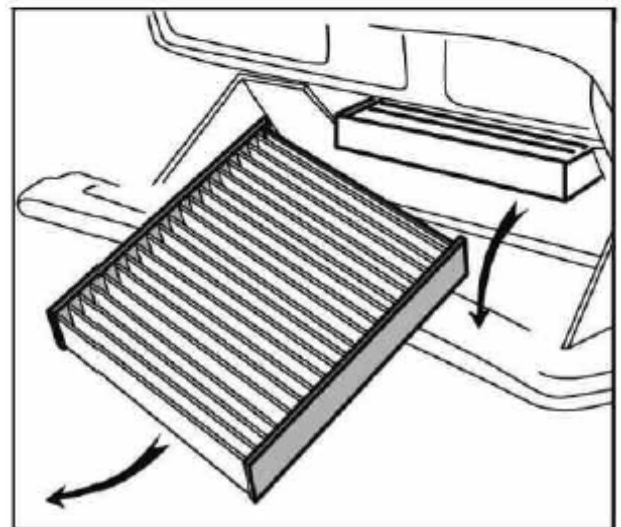


Figure 3

Approximate install time: 15 minutes

atp
professional auto parts®