

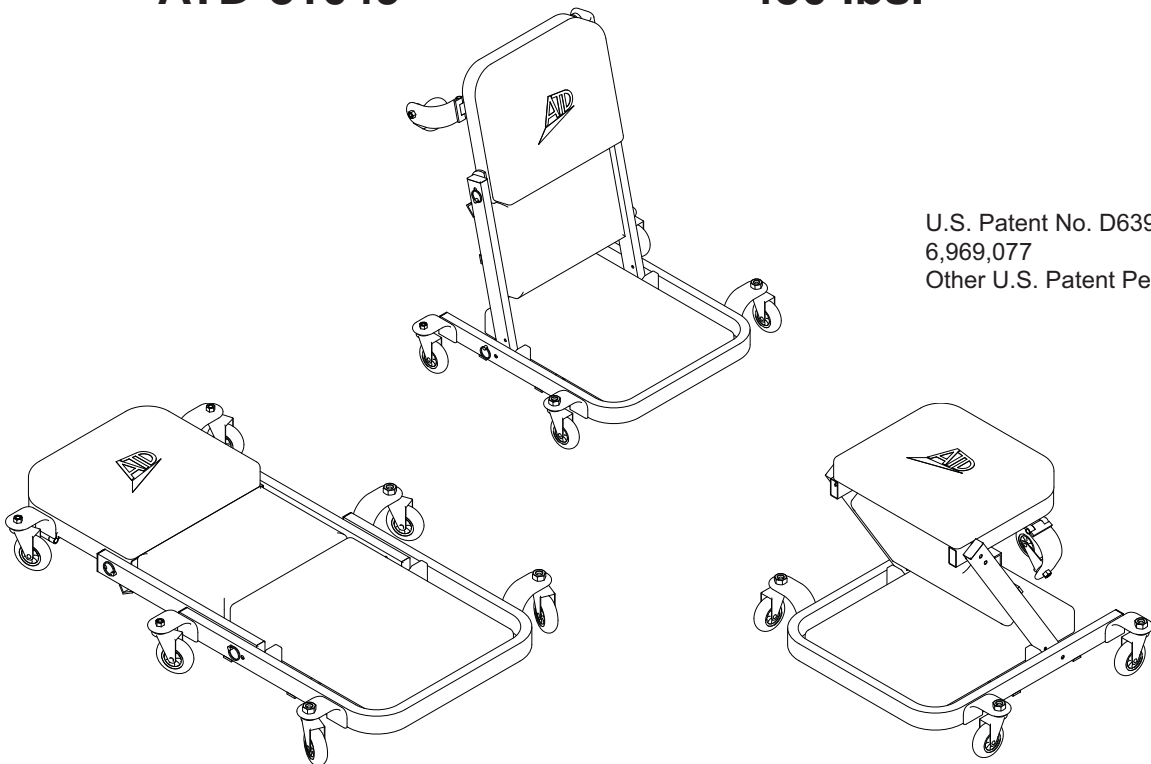


3-in-1 Low Profile Z Creeper

Operating Instructions & Parts Manual

**Model
ATD-81049**

**Capacity
450 lbs.**



U.S. Patent No. D639,638S and
6,969,077
Other U.S. Patent Pending



This is the safety alert symbol. It is used to alert you to potential personal injury hazards. Obey all safety messages that follow this symbol to avoid possible injury or death.



WARNING



WARNING: This product may contain chemicals, including lead, known to the State of California to cause cancer, birth defects or other reproductive harm. *Wash hands after handling.*

SAFETY AND GENERAL INFORMATION


For your safety, read, understand, and follow the information provided with and on this folding creeper. The owner and operator shall have an understanding of this product and safe operating procedures before attempting to use. The owner and operator shall be aware that use of this product may require special skills and knowledge. Instructions and safety information shall be conveyed in the operator's native language before use of this product is authorized. Make certain that the operator thoroughly understands the inherent dangers associated with the use and misuse of the product. If any doubt exists as to the safe and proper use of this product, remove from service immediately.

Inspect before each use. Do not use if there are broken, bent, cracked or damaged parts (including labels). Any folding creeper that appears damaged in any way, or operates abnormally shall be removed from service immediately. If the folding creeper has been subjected to a shock load (a load dropped suddenly, unexpectedly upon it), immediately discontinue use until it has been inspected by an ATD authorized service center. It is recommended that an annual inspection be done by qualified personnel. Labels and Operator's Manuals are available from the manufacturer.

PRODUCT DESCRIPTION

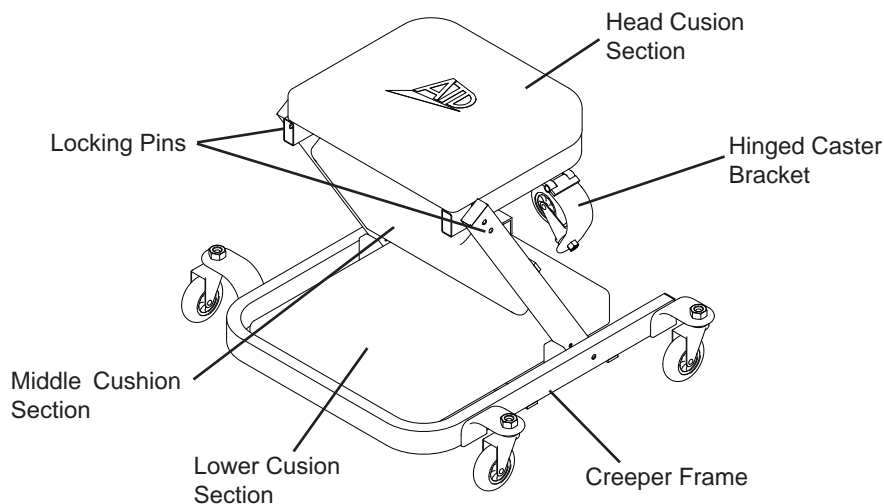
This device is designed to be folded in a 'Z' shape for use as a mechanics seat or unfolded for use as a mechanics creeper. It is intended to be used to support and move, along a smooth and level surface, rated capacity loads consisting of a single person weighing no more than 450 lbs. for the purpose of performing automotive maintenance or service. This device is not intended, designed or engineered to be used for any other purpose.

⚠ WARNING: Do not use this device for any purpose other than that for which it is expressly intended.

 WARNING	
To avoid personal injury and property damage:	
<ul style="list-style-type: none"> • Read, understand, and follow all printed materials provided with and on this product before use. • Do not exceed rated capacity of 450 lbs. Rated capacity consists of: 1 person, tools, equipment totaling 450 lbs. • Use on smooth, level, seamless surfaces only! • Sit down gently! Avoid shock loads caused by jumping or falling onto seat. • Do not stand on this product. • Keep out of the reach of children! This device is not appropriate for children's use. 	

SPECIFICATIONS

Model	Rated Capacity	Creeper Size	Cushion Size	Weight
ATD-81049	450 lbs.	40" x 26" x 4-1/4"	39" x 13"	23 lbs.



PREPARATION

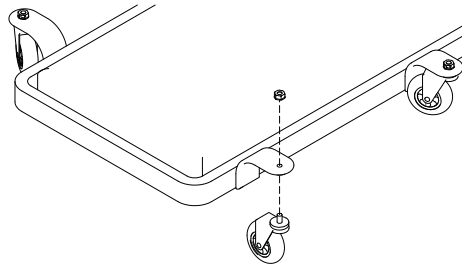
Before assembling your Folding Creeper, make sure all parts are present. Compare parts with package contents list and illustrations. If any part is missing or damaged, do not attempt to assemble, install or operate the product. Packaging Contents: 1 Creeper Body with cushions, 6 Casters, 6 Caster Lock Nuts.

ASSEMBLY

1. Carefully unfold the creeper until flat. Engage spring loaded Locking Pins.

⚠ CAUTION: *Folding components can present pinch and crush hazards during normal use of this product. Exercise caution when performing adjustments and while assembling and using this equipment.*

2. Attach casters to creeper frame caster brackets using 17mm nuts.



OPERATION

1. Locate and unlock spring loaded Locking Pin for middle section by pulling out until disengaged. Then rotate Head Frame and Middle Frame upward as shown in Fig. 1 until the Locking Pin can engage hole in Creeper Seat locking plate (ensure Lock Pin is fully engaged). This is the low seat configuration.

2. Disengage Lock Pin for Middle Frame and rotate further forward. Engage locking pin. Disengage Lock Pin for Head Frame section and rotate backwards as shown in Fig. 2. Adjust hinged caster brackets as required. This is the high seat configuration.

⚠ CAUTION: *Ensure all Lock Pins are properly engaged before using creeper.*

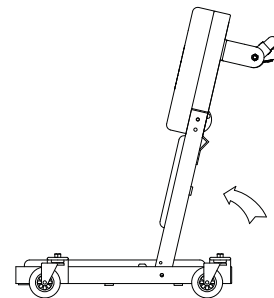


Figure 1 - Low seat configuration

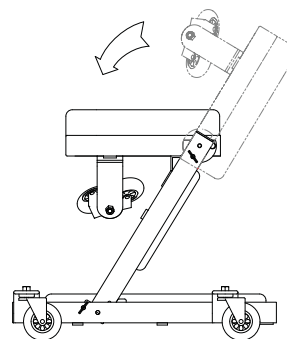


Figure 2 - High-seat configuration

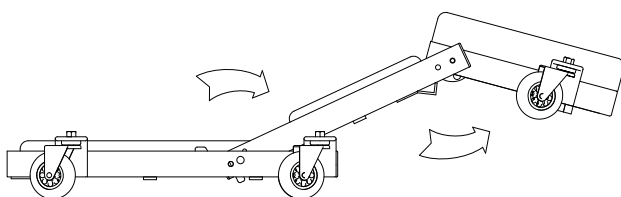


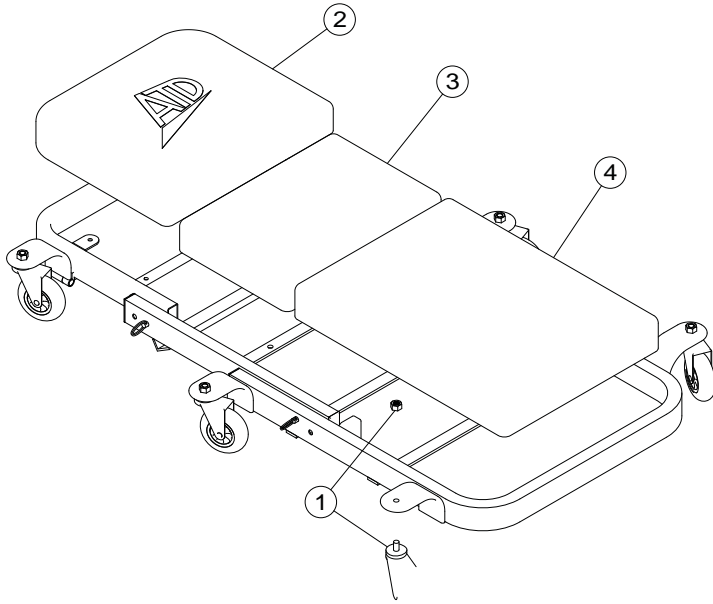
Figure 3 - Creeper configuration

3. Adjust hinged caster brackets so wheels will contact ground properly. Unlock spring loaded Lock Pins, then reverse steps 1 and 2, as shown in Fig. 3, to convert Creeper Seat into Creeper.

MAINTENANCE

Wipe clean as needed. Use mild upholstery cleaner (not caustic) to clean cushions.

⚠ CAUTION: *Do not add lubricant to casters.*



REPLACEMENT PARTS LIST

Item	Part No.	Description	Qty
1	91400-1	Caster Assy	6
2	91452-2-ATD	Head Cushion	1
3	91452-3	Middle Cushion	1
4	91452-4	Lower Cushion	1

