

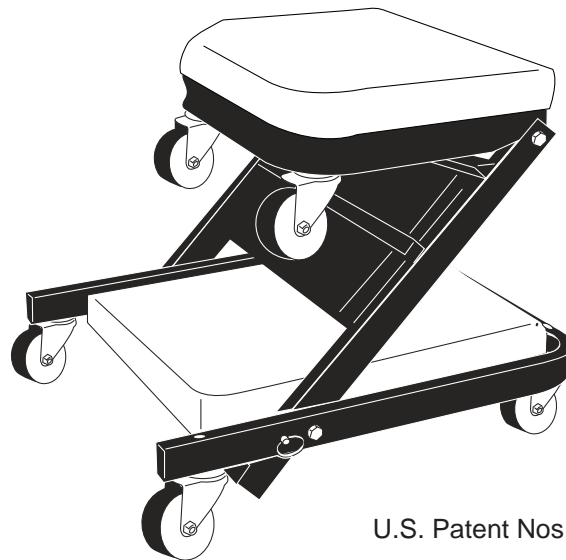


Foldable Creeper Seat

Operating Instructions & Parts Manual

Model
ATD-81045

Capacity
450 lbs.



U.S. Patent Nos. 6,969,077



This is the safety alert symbol. It is used to alert you to potential personal injury hazards. Obey all safety messages that follow this symbol to avoid possible injury or death.

! WARNING	
To avoid pinch and laceration injuries:	
• Keep hands away from pinch and laceration hazards points that are created during use!	
• Be alert and sober when using this product!	
• Sit centrally on seat pad ONLY . NEVER sit on edge!	

! WARNING !	
WARNING: This product may contain chemicals, including lead, known to the State of California to cause cancer, birth defects or other reproductive harm. <i>Wash hands after handling.</i>	

SAFETY and GENERAL INFORMATION

For your safety, **read, understand, and follow** the information provided with and on this folding creeper. The owner and operator shall have an understanding of this product and safe operating procedures before attempting to use. The owner and operator shall be aware that use of this product may require special skills and knowledge. Instructions and safety information shall be conveyed in the operator's native language before use of this product is authorized. Make certain that the operator thoroughly understands the inherent dangers associated with the use and misuse of the product. If any doubt exists as to the safe and proper use of this product, remove from service immediately.

Inspect before each use. Do not use if there are broken, bent, cracked or damaged parts (including labels). Any folding creeper that appears damaged in any way, or operates abnormally shall be removed from service immediately. If the folding creeper has been subjected to a shock load (a load dropped suddenly, unexpectedly upon it), immediately discontinue use until it has been inspected by an ATD authorized service center. It is recommended that an annual inspection be done by qualified personnel. Labels and Operator's Manuals are available from manufacturer.

PRODUCT DESCRIPTION

This device is designed to be folded in a 'Z' shape for use as a mechanics seat or unfolded for use as a mechanics creeper. It is intended to be used to support and move, along a smooth and level surface, rated capacity loads consisting of a single person weighing no more than *450 lbs. for the purpose of performing automotive maintenance or service. This device is not intended, designed or engineered to be used for any other purpose.

*Rated Capacity: One (1) person weighing 450 lbs. or less- * includes person, tools, equipment, personal items

SPECIFICATIONS

Model	Capacity	Seat Size	Creeper Size
ATD-81045	*450 lbs.	~14" x 12-1/4"	~40"



Do not use this device for any purpose other than that for which it is expressly intended.

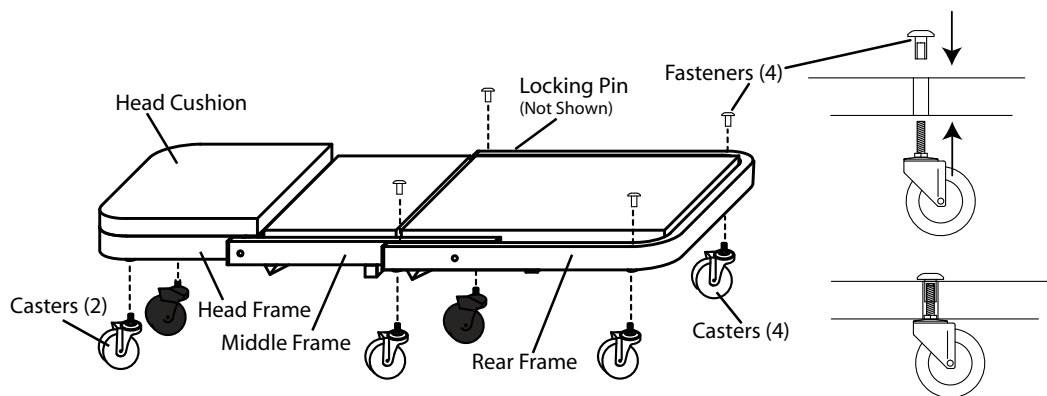


Figure 1 - Model ATD-81045 Components

WARNING

To avoid personal injury and property damage:

- Read, understand, and follow all printed materials provided with and on this product before use.
- Do not exceed rated capacity! Rated capacity is: 450 lbs. (includes person, tools, equipment, personal items).
- Sit down gently! Avoid shock loads caused by jumping or falling onto seat.
- Do not stand on seat.
- Beware of pinch and crush hazards when folding and unfolding.
- Keep out of the reach of children! This device is not appropriate for children's use.
- Use on smooth, level surfaces only.

PREPARATION

Before beginning assembly of product, make sure all parts are present. Compare parts with package contents list and Figure 1 illustration. If any part is missing or damaged, do not attempt to assemble, install or operate the product. Contact customer service for replacement parts.

Contents: 1 creeper body, 6 casters, 4 fasteners

Dimensions: 40" X 18" X 7-1/2"

ASSEMBLY INSTRUCTIONS (see Figure 1)


1. Carefully unfold the creeper as seen in Fig. 1.

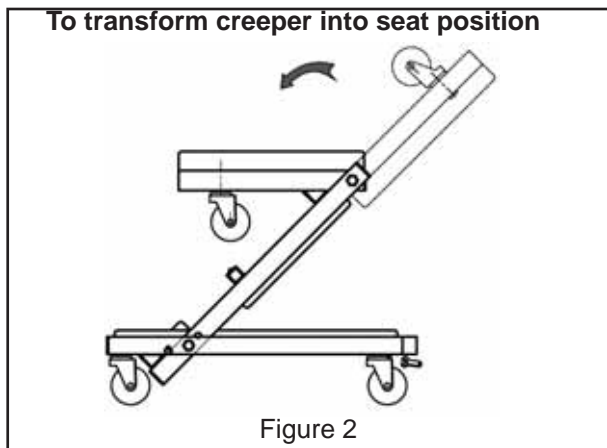
 **Keep hands away from pinch and crush points that are created while folding and unfolding!**

2. Use a suitable open-end wrench to attach the head frame casters to Head Frame. Hand tighten with open end wrench.
3. Use a 5 mm hex-key to attach the remaining casters to the Rear Frame. Insert the threaded fasteners from above, the casters from below (as seen in Fig. 1), then hand tighten with hex key.
4. Attach Parts Tray to Rear Frame channel as seen below.

OPERATING INSTRUCTIONS (Refer to Fig. 2, 3)

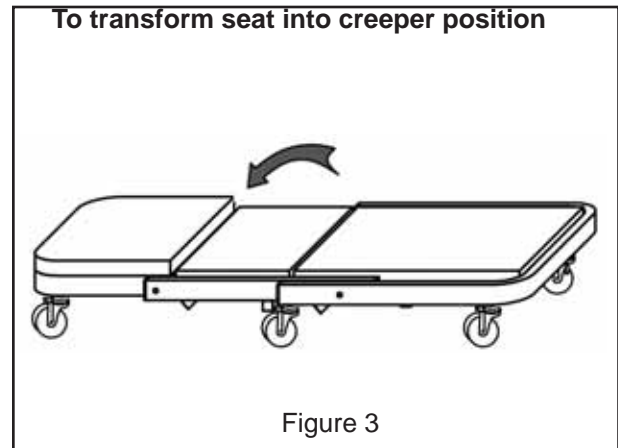
Little instruction is necessary for the safe and proper use if all warning information is understood and followed.

 **Keep hands away from pinch and crush points that are created during use! Be alert and sober when using this product! Never operate this equipment when under the influence of drugs or alcohol.**



Step 1. Locate, then unlock the spring loaded Lock Pin by pulling out until disengaged, at the same time flip the Head Frame and Middle Frame upward and back towards the Rear Frame until the Lock Pin can engage the Creeper Seat Locking Sleeve (Fig. 3). Ensure Lock Pin is fully engaged.

Step 2. Flip the Head Frame forward until horizontal.




Step 3. Unlock the spring loaded Lock Pin by pulling out until disengaged, then reverse steps 1, 2 to convert Creeper Seat into Creeper.

CARE AND MAINTENANCE

MAINTENANCE

Little maintenance is required of this device. Wipe clean as needed. Use mild upholstery cleaner (not caustic) to clean seat as needed.

 **Never add lubricant to casters!**

REPLACEMENT PARTS LIST

Item	Part No.	Description	Qty
1	81045-1	Caster w/ fastener	4
2	81045-1A	Caster w/ nut	2
3	81045-2	Head Cushion	1
4	81045-3	Body Cushion 1	1
5	81045-4	Body Cushion 2	1

