



ATD-7466 CAR DOLLY SET OWNER'S MANUAL



Features:

- Each heavy-duty dolly has a 1,500 lbs. capacity (6,000 lbs. capacity for 4 dollies)
- 3" Cast Steel Casters
- Allows vehicle to be moved in any direction
- Great for moving cars, trucks, trailers, lawn tractors, etc. against wall or into corner
- Frees up valuable garage or shop space
- Includes (2) dollies

WARNING

WARNING: This product contains chemicals, including lead, known to the State of California to cause cancer, birth defects or other reproductive harm. *Wash hands after handling.*

Owner and/or Operator Responsibility:

The owner and/or operator shall study the product instructions and retain them for future reference.

Operation:

The owner and/or operator shall have an understanding of the product, its operating characteristics, and safety operating instructions before operating the equipment. Safety information shall be emphasized and understood.

Inspection:

1. Visual inspection shall be made before each use of the equipment by checking for abnormal conditions, such as cracked welds, leaks, and damaged, loose, or missing parts.
2. Other inspections shall be made per product operating instructions.
3. Each piece of equipment shall be inspected immediately if the device is believed to have been subjected to an abnormal load or shock. It is recommended that this inspection be made by a specialized facility and operator.
4. Owners and/or operators should be aware that repair of this equipment may require specialized knowledge and facilities.

Damaged Equipment:

Any equipment that appears to be damaged in any way or is found to be worn or operating abnormally **SHALL BE REMOVED FROM SERVICE UNTIL REPAIRED**. It is recommended that necessary repairs be made by a specialized repair facility and operator.

Alterations:

Because of potential hazards associated with this type of equipment, no alterations shall be made to the product.

Attachments and Adaptors:

Only attachments and/or adaptors supplied by the manufacturer shall be used.

SAFETY:

Failure to heed these safety warnings may result in personal injury and/or property damage.

- Study, understand and follow all instructions before operating this device.
- **DO NOT** overload unit beyond the load rating (1500lbs per unit).
- **DO NOT** operate unit on inclined surfaces. Unit must be used on level surface only.
- **DO NOT** start the vehicle's engine, or drive with unit in use. Unit is designed for hand maneuvering of vehicles only.
- **DO NOT** attempt to push jack over obstacles. They are designed to be used on level surfaces only.
- Before moving, lower the load to the lowest possible point.
- Failure to heed these warnings may result in personal injury and/or property damage.
- Apply load as close to the vertical portion of the lifting member as possible.
- Before moving the load, assure that the load is centered and secured with a load restraint device.
- No alterations shall be made to this product.

ASSEMBLY INSTRUCTIONS:

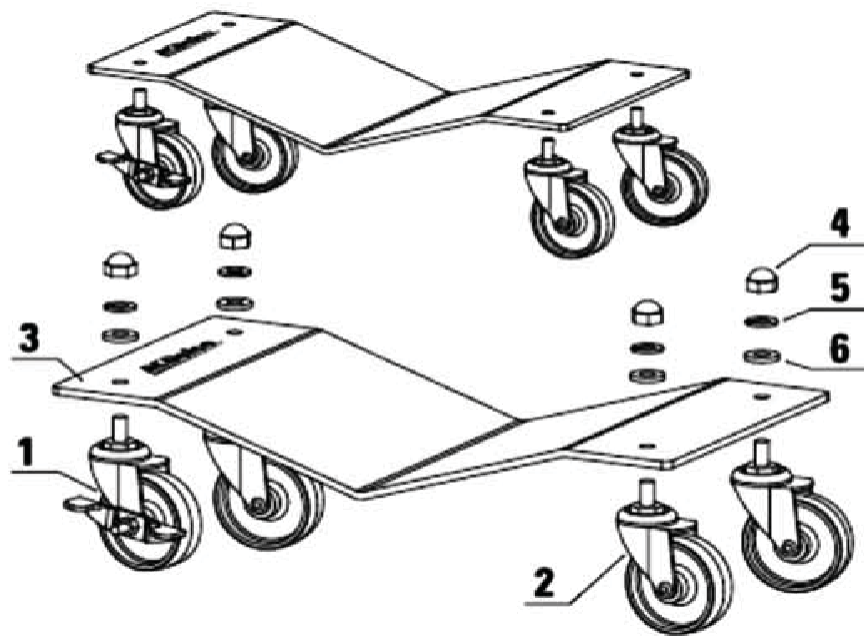
Secure the 4 steel casters to each dolly using the nuts, lock washers and flat washers as shown in the parts breakdown on the following page.

OPERATION:

1. Raise the vehicle with an approved jack or lifting device.
2. Place the auto dolly under each wheel of your vehicle, so the vehicle is well balanced.
3. The weight capacity of the each auto wheel dolly is 1500 lbs.
4. **DO NOT USE ON INCLINES, MUST ONLY BE USED ON FLAT, EVEN SURFACES.**

ATD[®]

ATD-7466



ITEM#	ORDERING PART#	PART DESCRIPTION
1	PRT7466-01	STEEL CASTER WITH BRAKE
2	PRT7466-02	STEEL CASTER WITHOUT BRAKE
3	PRT7466-03	DOLLY
4	PRT7466-H	HARDWARE PACKAGE (4 nuts, 4 lock washers, 4 washers)
5		
6		