



Hydraulic Bottle Jacks

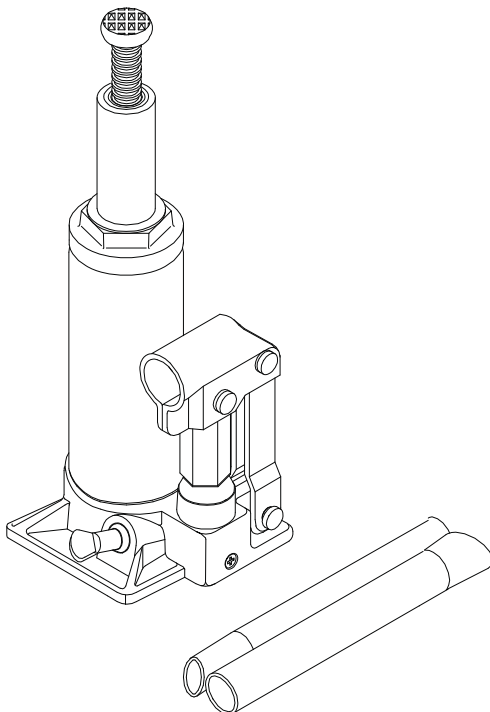
Operating Instructions & Parts Manual

Model Number

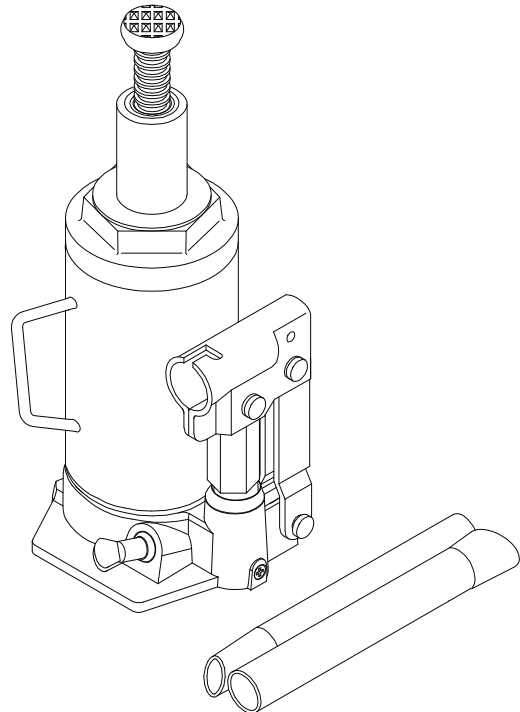
- ATD-7380
- ATD-7381
- ATD-7382
- ATD-7383
- ATD-7384
- ATD-7385 (Short Model)
- ATD-7386
- ATD-7387 (Short Model)

Capacity

- 2 Ton
- 4 Ton
- 6 Ton
- 8 Ton
- 12 Ton
- 12 Ton
- 20 Ton
- 20 Ton



Model ATD-7380, ATD-7381 & ATD-7382



Model ATD-7383, ATD-7384 & ATD-7386

*Model ATD-7385 & ATD-7387 not shown

⚠ WARNING ⚠

WARNING: This product may contain chemicals, including lead, known to the State of California to cause cancer, birth defects or other reproductive harm. *Wash hands after handling.*

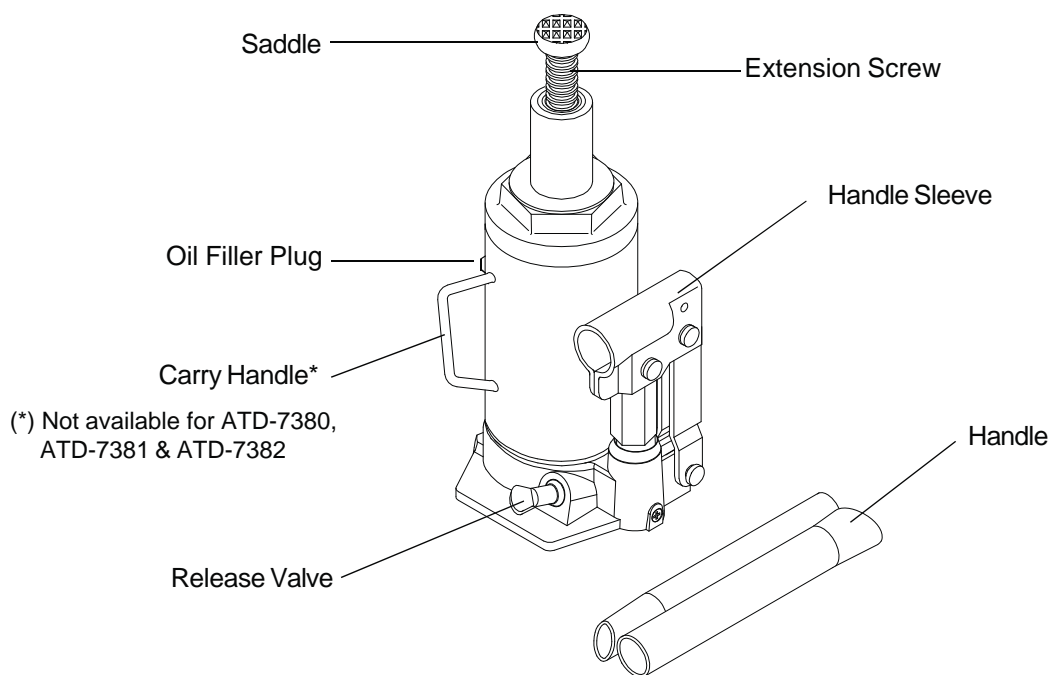
Save these instructions For your safety, read, understand, and follow the information provided with and on this jack. The owner and operator of this equipment shall have an understanding of this jack and safe operating procedures before attempting to use. The owner and operator shall be aware that use and repair of this product may require special skills and knowledge. Instructions and safety information shall be conveyed in the operator's native language before use of this jack is authorized. If any doubt exists as to the safe and proper use of this jack, remove from service immediately. **Inspect before each use.** Do not use if broken, bent, cracked or damaged parts are noted. Any jack that appears damaged in any way, or operates abnormally shall be removed from service immediately. If the jack has been or suspected to have been subjected to a shock load (a load dropped suddenly, unexpectedly upon it), immediately discontinue use until jack has been checked by a factory authorized service center. It is recommended that an annual inspection be done by qualified personnel. Labels and Operator's Manuals are available from manufacturer.

PRODUCT DESCRIPTION

ATDTools Hydraulic Bottle Jacks are designed for lifting, but not sustaining, loads ranging from up to 2–20 Tons depending on the rated capacity of the jack. They can be used vertically or angled to 5 degrees from vertical position. After lifting, loads must be **immediately** supported by appropriate means. Each model is suitable for use in an appropriately rated and designed upright or bench press structure. These jacks are **not recommended** for use in lifting or positioning houses and/or other building structures. These jacks comply with applicable **ASME / ANSI - PALD** Safety Standards.

SPECIFICATIONS


Model	Capacity	Base Size (L x W)	Min. Height	Max. Height	Hyd. Lifting	Ext. Screw	Weight
ATD-7380	2 Ton	3-7/8" x 3-5/8"	7-1/4"	13-3/4"	4-3/8"	2-1/8"	7 lbs.
ATD-7381	4 Ton	4-1/4" x 3-7/8"	8-1/8"	15-1/2"	5"	2-3/8"	9 lbs.
ATD-7382	6 Ton	4-1/2" x 4"	8-1/2"	16-7/8"	5-1/4"	3-1/8"	10.62 lbs.
ATD-7383	8 Ton	4-3/4" x 4-5/8"	8-7/8"	17-5/8"	6"	2-3/4"	14 lbs.
ATD-7384	12 Ton	6" x 5-3/8"	9-1/2"	18-5/8"	6"	3-1/8"	18 lbs.
ATD-7385	12 Ton	6" x 5-3/8"	6"	10-5/8"	3"	1-5/8"	14 lbs.
ATD-7386	20 Ton	6-3/8" x 5-7/8"	9-1/2"	18-5/8"	6"	3-1/8"	28 lbs.
ATD-7387	20 Ton	6-3/8" x 5-7/8"	6-1/2"	11-1/4"	3-1/8"	1-5/8"	21 lbs.



SAFETY INSTRUCTIONS

BEFORE USE

1. Verify that the product and the application are compatible.
2. Before using this product, read the owner's manual completely and familiarize yourself thoroughly with the product, its components and recognize the hazards associated with its improper use.
3. Open the release valve (counter-clockwise no more than 1/2 full turn).
4. With ram fully retracted, locate and remove the oil filler plug. Insert the handle into the handle sleeve, then pump 6 to 8 strokes. This will help release any pressurized air which may be trapped within the reservoir. Ensure the oil level is just below the oil filler plug hole. Reinstall the oil filler plug.
5. Check to ensure that the pump operates smoothly before putting into service. Replace worn or damaged parts and assemblies with Factory Authorized Replacement parts only. (See Replacement Parts section).
6. Inspect before each use. Do not use if bent, broken or cracked components are noted.

 WARNING
<ul style="list-style-type: none">• Study, understand, and follow all instructions provided with and on this device before use .• Do not exceed rated capacity.• Use only on hard, level surfaces capable of sustaining rated capacity loads.• Lifting device only.• Immediately after lifting, support the vehicle with appropriately rated stands• Never work on, under or around a load supported by this device.• Failure to heed these markings may result in personal injury and/or property damage.

OPERATION

Lifting

1. Assemble handle, ensure that spring clips align with slots.
2. Secure the load to prevent inadvertent shifting and movement.
3. Place vehicle in park or if manually equipped, in gear.
4. Position the jack near desired lift point.
5. Close the release valve by turning it clockwise until it is firmly closed.

Note: Use the handle provided with this product or an authorized replacement handle to ensure proper release valve operation. When using to lift vehicle, lift only on the manufacturer's recommended lift points and in accordance with the published guidelines in your vehicle owners manual. Always use jack stands to support the load immediately after lifting.

5. Insert and secure handle into handle sleeve. Pump handle until saddle contacts load.
6. Raise load to desired height, then immediately transfer the load to appropriately rated support devices such as jack stands.

 WARNING	
	To avoid crushing and related injuries: NEVER work on, under or around a load supported only by jack. ALWAYS use adequately rated jack stands.

Lowering

1. Raise load enough to carefully remove jack stands.
2. Insert handle onto release valve and slowly turn handle counterclockwise, but no more than 1/2 turn.
3. If load fails to lower:
 - a. Carefully transfer the load to another lifting device and jack stands.
 - b. Carefully remove affected jack, and then the jack stands. Lower the load, again by slowly turning the release valve no more than 1/2 turn.

! SAFETY MESSAGE !
Be sure all tools and personnel are clear before lowering load. No alterations shall be made to this device. Only attachments and/or adapters supplied by the manufacturer shall be used.

4. After removing jack from under the load, push ram and handle sleeve down to reduce exposure to rust and contamination.

MAINTENANCE

Important: Use only a good grade hydraulic jack oil. Avoid mixing different types of fluid and NEVER use brake fluid, turbine oil, transmission fluid, motor oil or glycerin. Improper fluid can cause premature failure of the jack and the potential for sudden and immediate loss of load. We recommend Mobil DTE 13M.

Adding oil

1. With saddle fully lowered and pump piston fully depressed, set jack in its upright, level position. Remove oil filler plug.
2. Fill until oil is level with the filler plug hole, reinstall oil filler plug.

Changing oil

For best performance and longest life, replace the complete fluid supply at least once per year.

1. With saddle fully lowered and pump piston fully depressed, remove the oil filler plug.
2. Lay the jack on its side and drain the fluid into a suitable container.

Note: Dispose of hydraulic fluid in accordance with local regulations.

3. Fill with good quality jack oil. Reinstall oil filler plug.

Lubrication

1. A coating of light lubricating oil to pivot points will help to prevent rust and assure that assemblies move freely.
2. Periodically check the pump piston and ram for signs of rust or corrosion. Clean as needed and wipe with a clean, oil soaked rag.

Note: Never use sandpaper or abrasive material on these surfaces!

Storage

When not in use, store the jack with pump piston and ram fully retracted.

TROUBLESHOOTING

Symptom	Possible Causes	Corrective Action
Jack will not lift load	<ul style="list-style-type: none"> • Release valve not tightly closed • Overload condition 	<ul style="list-style-type: none"> • Ensure release valve tightly closed • Remedy overload condition
Jack bleeds off after lift	<ul style="list-style-type: none"> • Release valve not tightly closed • Overload condition • Hydraulic unit malfunction 	<ul style="list-style-type: none"> • Ensure release valve tightly closed • Remedy overload condition
Jack will not lower after unloading	<ul style="list-style-type: none"> • Reservoir overfilled 	<ul style="list-style-type: none"> • Drain fluid to proper level
Poor lift performance	<ul style="list-style-type: none"> • Fluid level low • Air trapped in system 	<ul style="list-style-type: none"> • Ensure proper fluid level • With ram fully retracted, remove oil filler plug to let pressurized air escape, reinstall oil filler plug
Will not lift to full extension	<ul style="list-style-type: none"> • Fluid level low 	<ul style="list-style-type: none"> • Ensure proper fluid level

REPLACEMENT PARTS

Not all components of the jack are replacement items, but are illustrated as a convenient reference of location and position in the assembly sequence. When ordering parts, give model number, part number and description below.

<u>Item</u>	<u>Description</u>	<u>Part#</u>	<u>Qty</u>
1	Oil Filler Plug	F36100-0001	1
2	Handle Assembly		1
	a. ATD-7380	B20207-0001	
	b. ATD-7381	B20207-0001	
	c. ATD-7382	B20207-0001	
	d. ATD-7383 thru ATD-7387	B21207-0002	
3	Release Valve Assembly	B80200-0001	1
-	Manual	B00000-0001	-

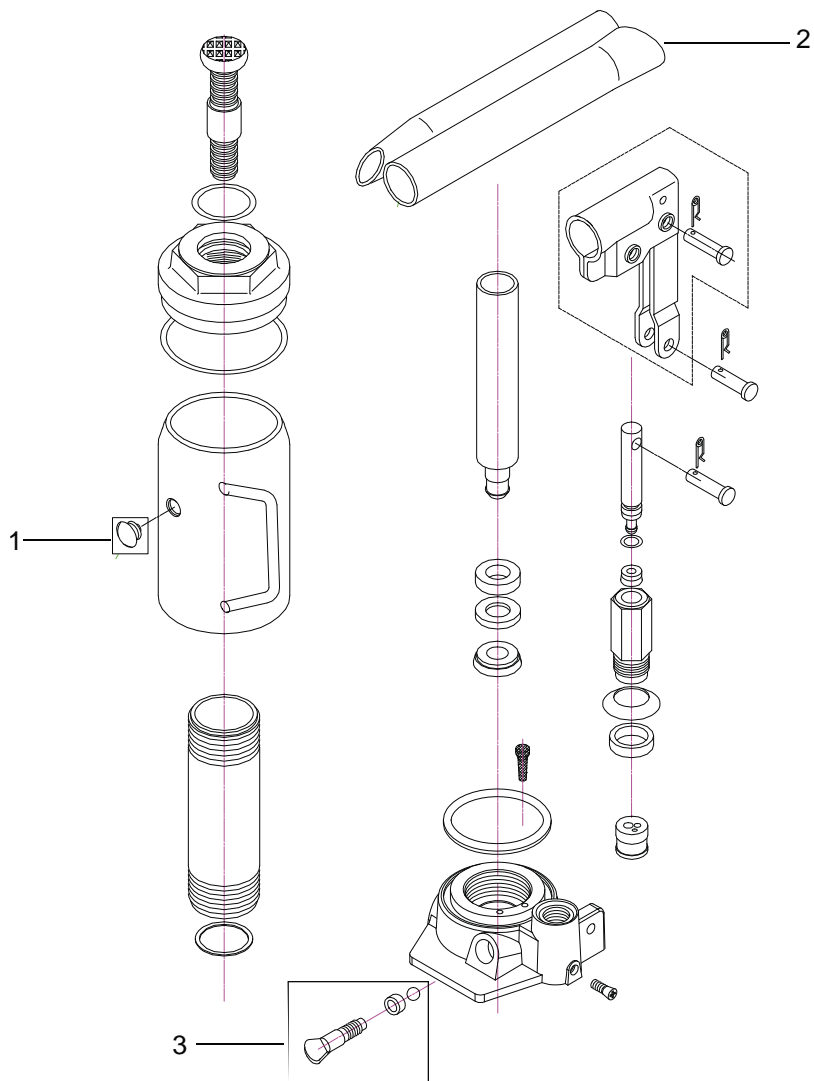


Figure 2 - Replacement Parts Illustration for model ATD-7380, ATD-7381, ATD-7382, ATD-7383, ATD-7384, ATD-7385 and ATD-7386.