



ATD-5165
18 Pc. Disc Brake Caliper Tool Set
Owner's Manual



Features:

- For use on most domestic and import 2WD & 4WD vehicles
- Use on front or rear brakes
- Includes tools and adapters for both right- and left-handed applications
- Use on main brake and parking brake systems
- Prevents damage to brake piston and boot



Read this manual before using this tool and its accessories. Failure to do so can result in serious injury. SAVE THIS MANUAL.

WARNINGS

- This product is not a toy. Keep it out of reach of children.
- Use the correct adapter for the vehicle. The correct adapter will do the job better and safer at the rate for which it was designed. Do not modify this tool or its components or use it for a purpose for which it is not intended.
- Check for misalignment or binding of moving parts, breakage of parts and any other condition that may affect the product's operation. If damaged, have the product repaired or replaced before use.
- Use this tool and its accessories in accordance with these instructions and in the manner intended, taking into account the working conditions and the work to be performed. Use of this tool for operations different from those intended could result in a hazardous situation.

Work Area Safety

- Keep children and bystanders away while operating. Distractions can cause you to lose control.
- Keep work area clean and well lit. Cluttered or dark areas invite accidents.

Personal Safety

- Wear ANSI-approved safety goggles, NIOSH-approved dust mask/respirator, and heavy-duty work gloves during use and service.
- Stay alert and use common sense when operating. Do not use when tired or under influence of drugs, alcohol or medication.
- Do not overreach. Keep proper footing and balance at all times. This enables better control in unexpected situations.
- Dress properly. Do not wear loose clothing or jewelry. Keep your hair, clothing and gloves away from moving parts. Loose clothes, jewelry or long hair can be caught in moving parts.

Maintenance and Servicing

CAUTION

Damaged tools and accessories can fail, causing personal injury. Do not use a damaged product.

- Before each use, inspect the condition of the tool and its accessories. Check for misalignment or binding of moving parts, cracked or broken parts, and any other condition that may affect its safe operation.
- After use, clean external surfaces of the product with clean, moist cloth.

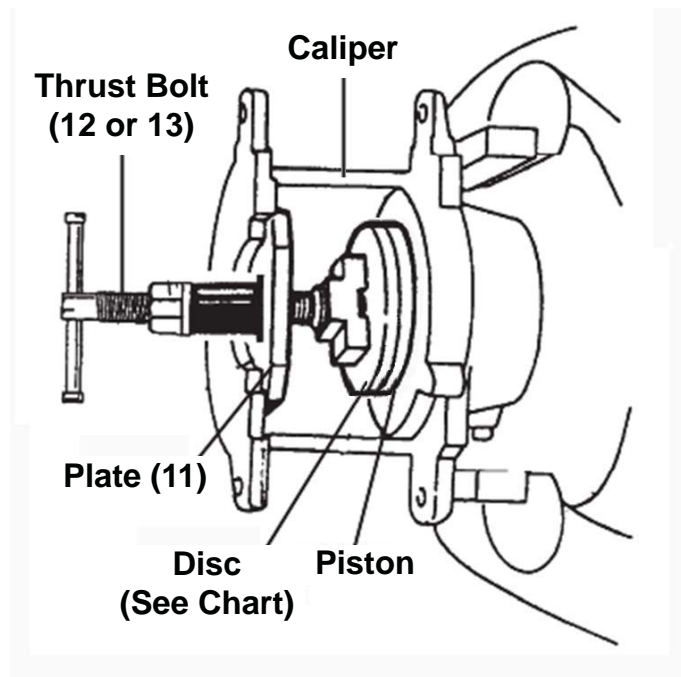
Note: The warnings, precautions and instructions discussed in this instruction manual cannot cover all possible conditions and situations that may occur. It must be understood by the operator that common sense and caution are factors which cannot be built into this product, but must be supplied by the operator.

Operating Instructions



Read the ENTIRE WARNING section at the beginning of this manual before using this tool or its accessories.

- This service kit will work with most model vehicles. See the parts list for a description of which components will work with your make and model.
 - Read the vehicle owner's manual to determine which Disc and Thrust Bolt to use.
 - Raise and safely secure vehicle.
 - Remove the wheel and brake caliper.
 - Remove the worn brake pads and hardware.
 - Service the caliper according to the vehicle manufacturer's instructions.
 - Move the T-handle of the Thrust Bolt to one side and slide the plate over the T-handle then down the Thrust Bolt, until it rests on the shoulder of the bottom of the Thrust Bolt. Apply the correct Disc to the two pegs on the bottom of the Thrust Bolt (the magnet will hold it in place).
 - According to the vehicle manufactures instructions, screw the piston into the caliper.
 - Reassemble caliper, brake pads and wheels.
- Note: Test the brakes thoroughly before use.**
- Clean and store the service kit indoors out of children's reach.





ITEM#	ORDERING PART#	PART DESCRIPTION
0	PRT5165-01	2-1/2" Single Pin Discs for General Motors 79 Seville, El Dorado
1	PRT5165-02	Plate
2	PRT5165-03	2-1/64" Three Pin Disc for Citroen/XM, Xantia (F/R)
3	PRT5165-04	2-5/32" No Pin Disc for Audi(F), Fiat, Alfa Romeo(F), Ford Fiesta(F), Honda Concesto(F), Jaguar XJ6, XJ40(F/R), BMW 318is, 320i, 325TD, 518i, 1x, 740i, 850ci, M5(F), Mitsubishi Colt(F), Nissan Miera, Stanza, Sunny(F), Range Rover, Austin, Metro, 200&400 Series, Maestra, Montego(F), Toyota Camry(F), Volvo(F), VW Passat, Golf, GTI(F)
4	PRT5165-05	1-1/4" Two Pin Disc for Ford AU&NZ, Telstar, Laser(R), Mazda(R), Saab 9000(R), Fiat/Alfa Romeo 1642(R), honda Prelude, CRS, 16l, GM Saturn, Grand Prix,
5	PRT5165-06	3/8" Adapter
6	PRT5165-07	1-21/32" Two Pin Disc for Audi 80, 90, V8 100, Coupe E(R), Range Rover 800, Subaru L, Z(R), Ford Sierra, Granada, Scorpio(R), Nissan Bluebird, Silvia, Primera, Peugeot 405, 1.9Gi, Gro, Sri, Gtxi, Ml, 2.0 Sri(R), Toyota Celica Corolla, GT, MR2(R), VW Golf GTI, Jetta, Syncro, Jetta GTI, Passat CL, GL, GT, Corrado, Scirroca, GTX
7	PRT5165-08	1-21/32" Two Pin Disc for Nissan Primera, VW Golf IV
8	PRT5165-09	1-7/8" Single Pin Disc for General Motors
9	PRT5165-10	2-1/8" Single Pin Disc for General Motors, Cafillac Seville & El Dorado
A	PRT5165-11	1-3/16" Two Pin Disc for Renault R21, Laguna
E	PRT5165-12	1-21/32" Four Pin Disc for Celfiro, Maxima
F	PRT5165-13	1-1/4" Two Pin Disc for Opel
L	PRT5165-14	Left Hand Thrust Bolt
K	PRT5165-15	2-1/8" Two Pin Disc for Citroen C5
M	PRT5165-16	1-1/4" Two Pin Disc for Ford
N	PRT5165-17	1-1/4" Hex Disc for Saab, Honda
R	PRT5165-18	Right Hand Thrust Bolt
19	PRT5165-19	Blow Molded Case

Learn more about brake service tools we have.