



## ATD-5027 NYLON VERTICAL LIFT PUMP



### Features

- Nylon Pump construction with stainless steel plunger rod & PTFE seals
- Low fatigue operation
- Fits 15 to 55 gallon (50-205 liter) drums
- Dispenses 400 ml (14 oz.) Per stroke
- Designed for use with Lacquer Thinners, Acetone, MEK, Antifreeze, detergents & Windshield Fluids.

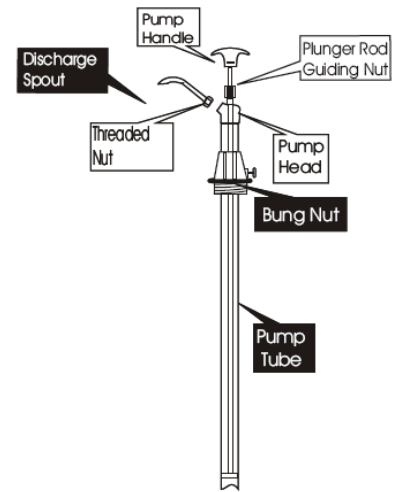
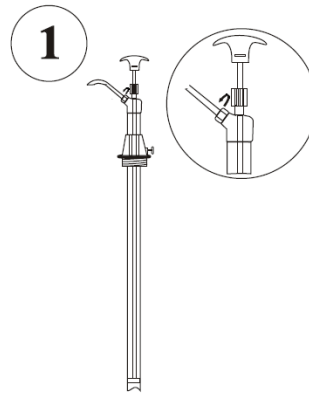
### Includes

- (1) Pump Tube Assembly
- (1) Bung Nut with 2" threads
- (1) Discharge Spout assembly (curved spout with nut)

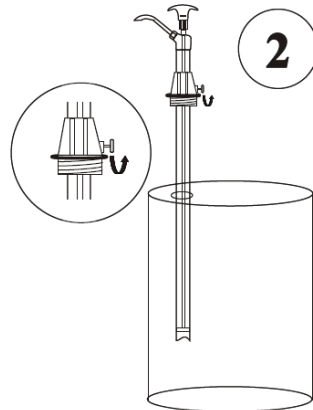
### Wetted components

- Nylon, stainless Steel, Polypropylene, & PTFE

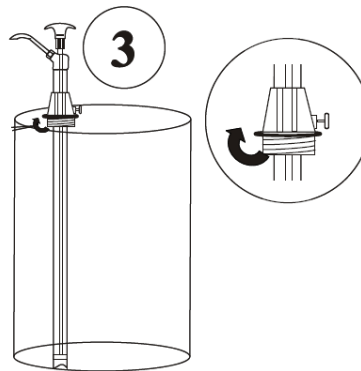
## Assembly & Operation



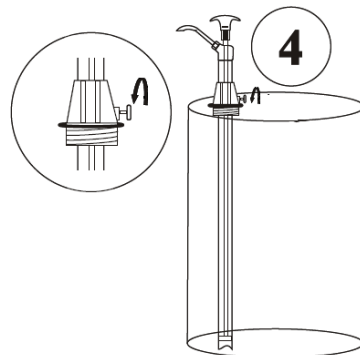
1. Assemble the Discharge spout onto the pump head, using the threaded nut fitted onto the spout. Tighten the connection by hand. Do not over tighten, as you may strip the threads.



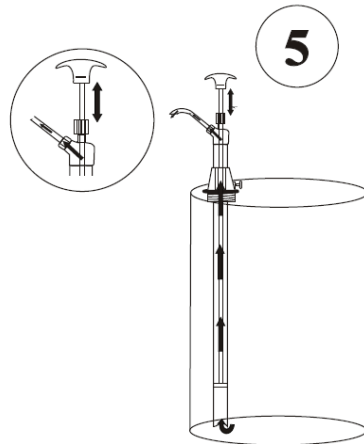
2. Loosen the bung nut fitted onto the pump tube & insert the pump into the drum from the 2" threaded opening on the drum.



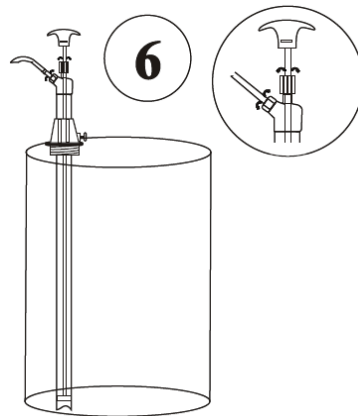
3. Once the bottom of the pump touches the base of the drum, securely fasten the bung onto the drum.



4. Now **very lightly** tighten the bung onto the pump tube. Note that excessive tightening may damage the pump & render it inoperative.



5. Take an empty container & place it below the discharge spout. Start operating the pump handle by moving it up by about 12" & then down. Within a maximum of 4 strokes, pump will be primed & will start dispensing media. Amount of fluid discharge per stroke can be controlled by the lift of the pump handle. The more it is lifted, the greater will be discharge per stroke. Never take the pump handle to its extreme top position, but operate within a convenient lift height.



6. There maybe some leakage of media from the plunger rod guiding nut. The nut is factory tightened for test media. Depending upon the viscosity of media used, the nut should be loosened or tightened to control any flow of media from this connection. Also, you may need to slightly adjust the Threaded Nut, if there is any leakage from this connection.

Due to the nature of aggressive media with which this pump maybe used, it is designed to drain out all the fluid from the pump body, when not in use. Pump needs to be re-primed each time it is used & this generally takes only 2-3 strokes

**Recommended for use with:**

- Lacquer Thinner
- Acetone
- MEK
- Antifreeze
- Detergent
- Water
- Weed Killer
- Windshield Fluid
- Mild Acids
- Glycerin
- Diesel
- Kerosene
- Petroleum based media
- Alcohols such as Amyl Alcohol, Benzyl Alcohol, Butyl Alcohol, Ethyl Alcohol, Hexyl Alcohol, Isobutyl Alcohol, Isopropyl Alcohol, Methyl Alcohol, Octyl Alcohol, Propyl Alcohol etc.

**Do Not Use with:**

- Strong Acids, Bleach, Gasoline etc.