



**Astro Pneumatic  
Tool Company**

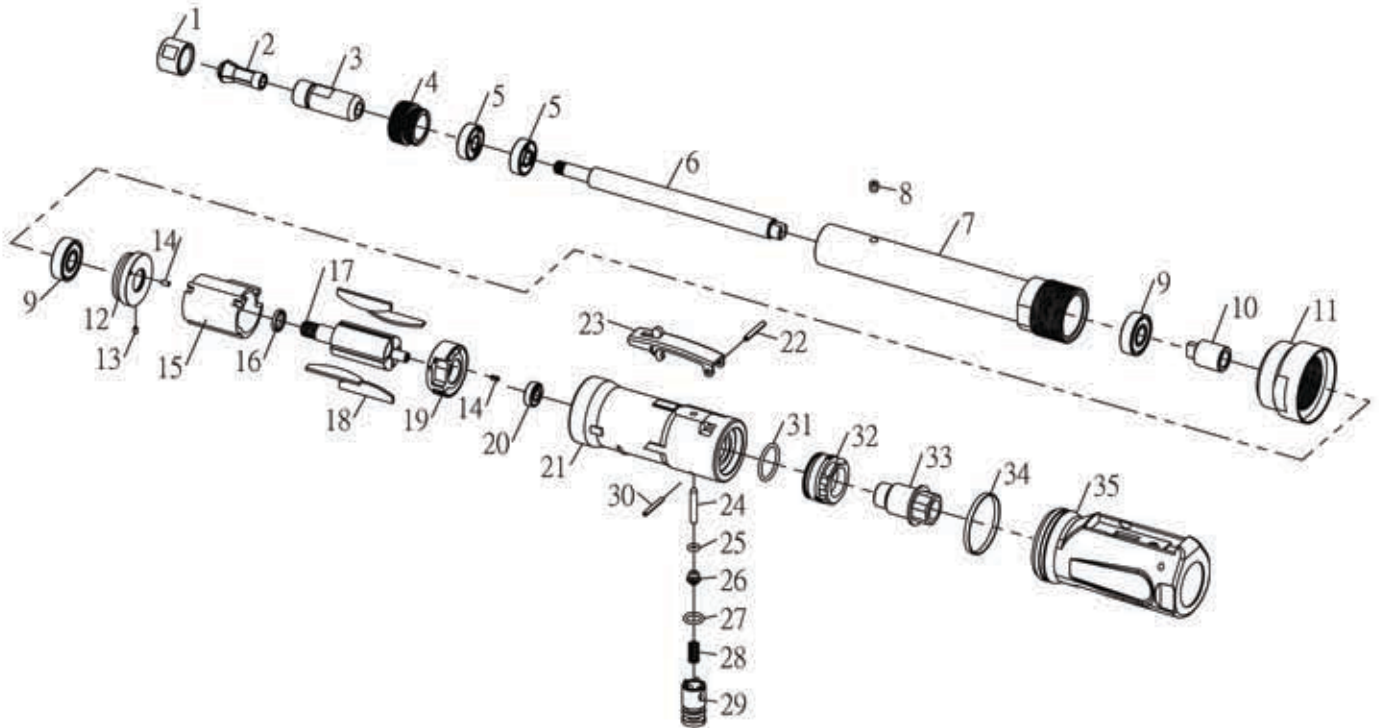
Model:

**217**

Product Type:

**13" EXTENDED SHAFT DIE  
GRINDER - 1/4" COLLET**

## PARTS BREAKDOWN



### Parts List

Index	Part No.	Description	Qty	Index	Part No.	Description	Qty
1	217-01	Collet Nut	1	19	217-19	Rear End Plate	1
2	217-02	1/4" Collet	1	20	217-20	Ball Bearing (696ZZ)	1
3	217-03	Spindle	1	21	217-21	Housing	1
4	217-04	Retainer	1	22	217-22	Spring Pin( $\phi$ 3x22)	1
5	217-05	Ball Bearing (608zz)	2	23	217-23	Safety Lever Ass'y	1
6	217-06	Shaft Coupling	1	24	217-24	Valve Shaft	1
7	217-07	Retaining Bar	1	25	217-25	O-Ring (P4)	1
8	217-08	Grease Fitting 3/16"	1	26	217-26	Throttle Valve	1
9	217-09	Ball Bearing(6000ZZ)	2	27	217-27	O-Ring(P9)	1
10	217-10	Drive Shaft	1	28	217-28	Valve Spring	1
11	217-11	Coupling Nut	1	29	217-29	Valve Screw	1
12	217-12	Front End Plate	1	30	217-30	Spring Pin( $\phi$ 2.5x20)	1
13	217-13	Spring Pin( $\phi$ 2.5x4)	1	31	217-31	O-Ring(S022.4)	1
14	217-14	Spring Pin( $\phi$ 2.5x5)	2	32	217-32	Exhaust Sleeve	1
15	217-15	Cylinder	1	33	217-33	Inlet Bushing	1
16	217-16	Washer	1	34	217-34	"O" Rubber Band	1
17	217-17	Rotor	1	35	217-35	Grip	1
18	217-18	Rotor Blade	4				