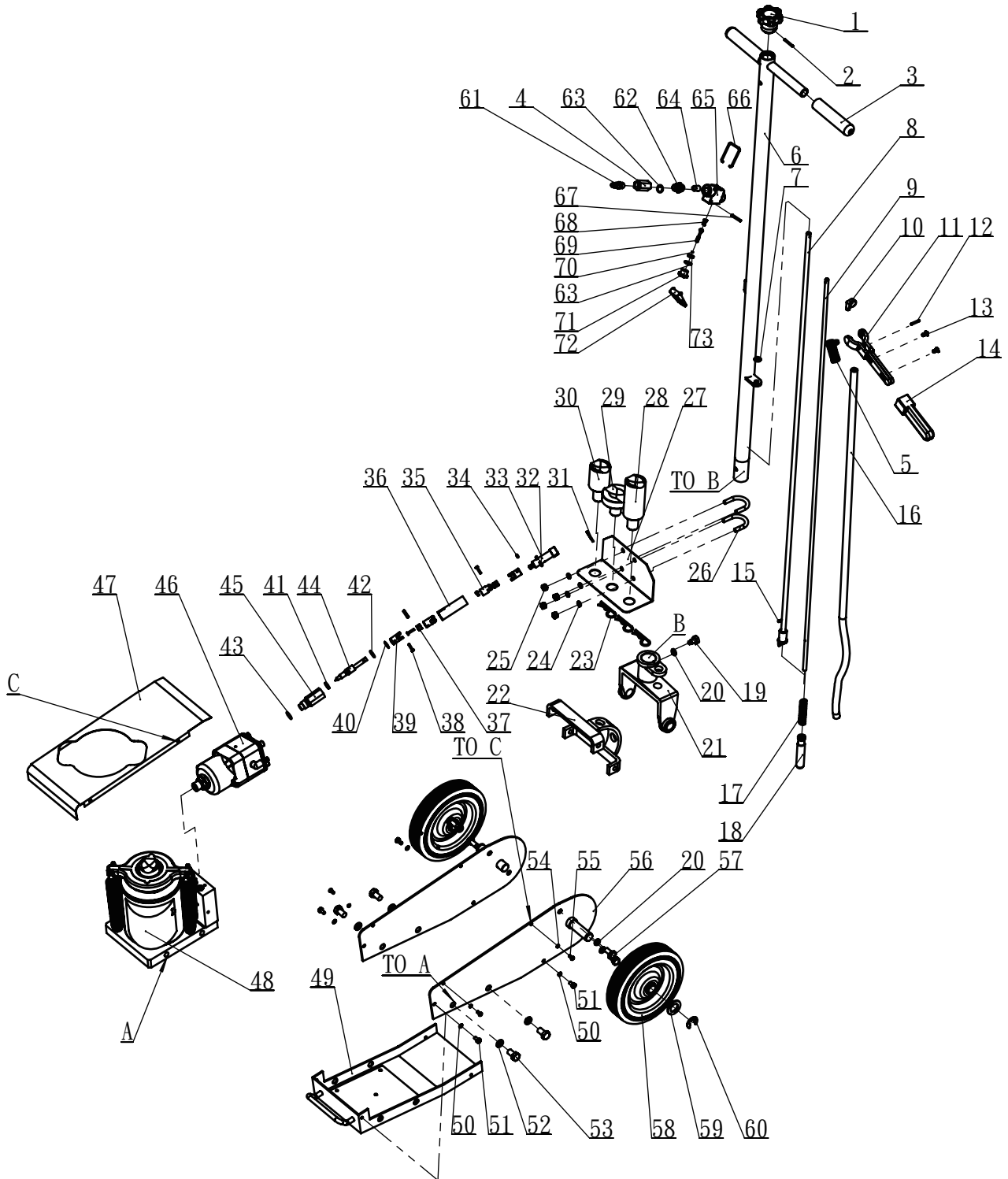


**PARTS BREAKDOWN**





**Astro Pneumatic  
Tool Company**

Model:

**AJ22FE2A**

Product Type:

**22 TON CAPACITY AIR OVER JACK  
WITH QUICK SPRINGS (2PC HANDLE)**

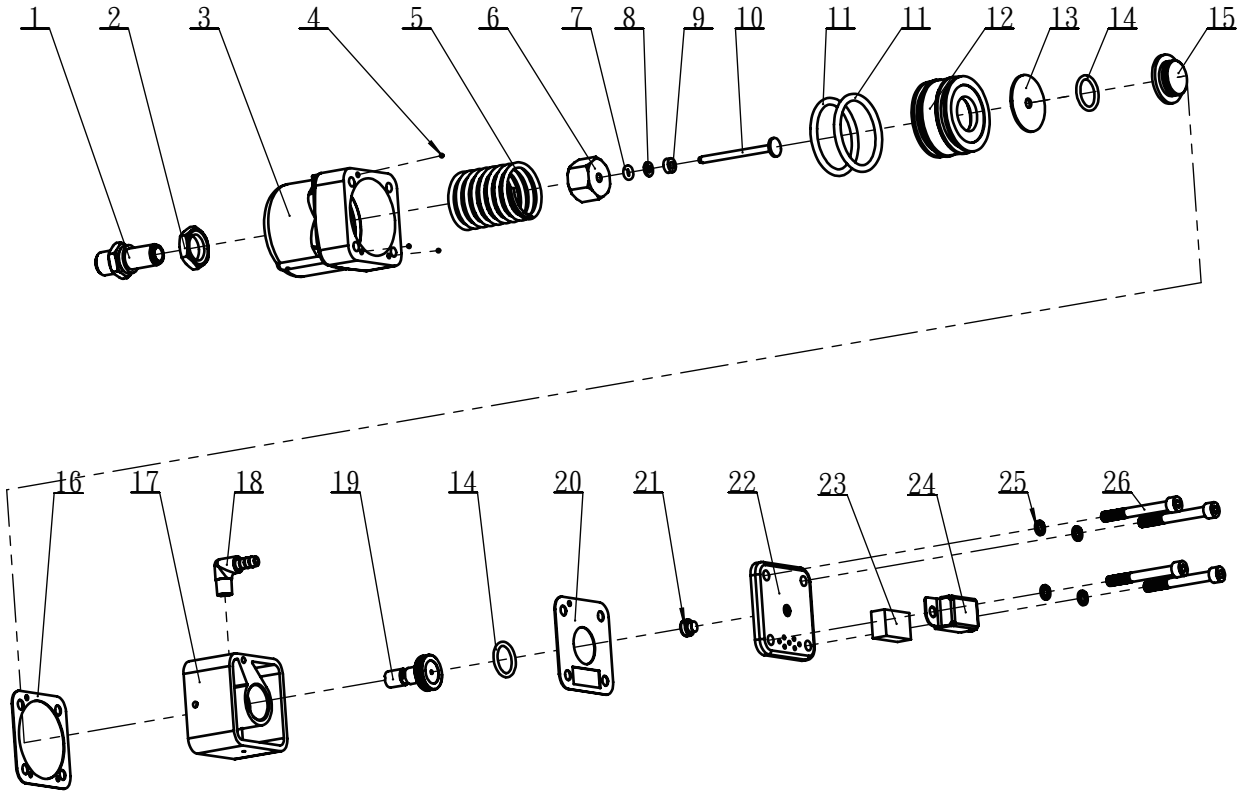
## PARTS BREAKDOWN

### Parts List

<i>Index</i>	<i>Part No.</i>	<i>Description</i>	<i>Qty</i>
1	AJ22FE2A-01	Knob	1
2	AJ22FE2A-02	Spring Pin	1
3	AJ22FE2A-03	Handle Cap	2
4	AJ22FE2A-04	Air Valve Ass'y	1
5	AJ22FE2A-05	Spring	1
6	AJ22FE2A-06	Handle	1
7	AJ22FE2A-07	Washer	1
8	AJ22FE2A-08	Stopper	1
9	AJ22FE2A-09	Stopper	1
10	AJ22FE2A-10	Hose Band	2
11	AJ22FE2A-11	Lock Lever	1
12	AJ22FE2A-12	Spring Pin	1
13	AJ22FE2A-13	Screw	2
14	AJ22FE2A-14	Handle Cap	1
15	AJ22FE2A-15	Spring Pin	1
16	AJ22FE2A-16	Air Hose	1
17	AJ22FE2A-17	Spring	1
18	AJ22FE2A-18	Stopper	1
19	AJ22FE2A-19	Bolt	1
20	AJ22FE2A-20	Spring Washer	5
21	AJ22FE2A-21	Handle Fork	1
22	AJ22FE2A-22	Frame	1
23	AJ22FE2A-23	Hitch Pin	3
24	AJ22FE2A-24	Spring Washer	4
25	AJ22FE2A-25	Bolt	4
26	AJ22FE2A-26	U-Bolt	2
27	AJ22FE2A-27	Holder Adaptor	1
28	AJ22FE2A-28	Adaptor-D	1
29	AJ22FE2A-29	Adaptor-C	1
30	AJ22FE2A-30	Adaptor-B	1
31	AJ22FE2A-31	Washer	1
32	AJ22FE2A-32	Spring Pin	1
33	AJ22FE2A-33	Universal Joint	1
34	AJ22FE2A-34	Spring Pin	2
35	AJ22FE2A-35	Valve	2
36	AJ22FE2A-36	Connecting	1
37	AJ22FE2A-37	Connecting	2

<i>Index</i>	<i>Part No.</i>	<i>Description</i>	<i>Qty</i>
38	AJ22FE2A-38	Pin	4
39	AJ22FE2A-39	Connecting	2
40	AJ22FE2A-40	Snap Ring	1
41	AJ22FE2A-41	Ring	1
42	AJ22FE2A-42	Washer	1
43	AJ22FE2A-43	Ring	1
44	AJ22FE2A-44	Valve	1
45	AJ22FE2A-45	Guide	1
46	AJ22FE2A-46	Air Pump Ass'y	1
47	AJ22FE2A-47	Upper Cover	1
48	AJ22FE2A-48	Power Unit Ass'y	1
49	AJ22FE2A-49	Lower Cover	1
50	AJ22FE2A-50	Spring Washer	4
51	AJ22FE2A-51	Bolt	4
52	AJ22FE2A-52	Spring Washer	4
53	AJ22FE2A-53	Bolt	4
54	AJ22FE2A-54	Spring Washer	4
55	AJ22FE2A-55	Machine Screw	4
56	AJ22FE2A-56	Handle Fork Bracket	2
57	AJ22FE2A-57	Bolt	4
58	AJ22FE2A-58	Wheel	2
59	AJ22FE2A-59	Washer	2
60	AJ22FE2A-60	Snap Ring	2
61	AJ22FE2A-61	Connector	1
62	AJ22FE2A-62	Connector	1
63	AJ22FE2A-63	O-Ring	2
64	AJ22FE2A-64	Air Hose	1
65	AJ22FE2A-65	Valve Body	1
66	AJ22FE2A-66	Lock Lever	1
67	AJ22FE2A-67	Lever Pin	1
68	AJ22FE2A-68	Spring	1
69	AJ22FE2A-69	Throttle	1
70	AJ22FE2A-70	O-Ring	1
71	AJ22FE2A-71	Nut	1
72	AJ22FE2A-72	Lever	1
73	AJ22FE2A-73	Packing	1

## PARTS BREAKDOWN



Index	Part No.	Description	Qty
1	AJ22FE2A-46-01	Plunger Cover	1
2	AJ22FE2A-46-02	Nut	1
3	AJ22FE2A-46-03	Air Pump Body	1
4	AJ22FE2A-46-04	Ball	3
5	AJ22FE2A-46-05	Spring	1
6	AJ22FE2A-46-06	Nut	1
7	AJ22FE2A-46-07	O-Ring	1
8	AJ22FE2A-46-08	NL Retainer	1
9	AJ22FE2A-46-09	Packing Guide	1
10	AJ22FE2A-46-10	Plunger	1
11	AJ22FE2A-46-11	O-Ring	2
12	AJ22FE2A-46-12	Piston	1
13	AJ22FE2A-46-13	Washer	1

Index	Part No.	Description	Qty
14	AJ22FE2A-46-14	O-Ring	2
15	AJ22FE2A-46-15	Retainer	1
16	AJ22FE2A-46-16	Packing Washer	1
17	AJ22FE2A-46-17	Muffler Cover	1
18	AJ22FE2A-46-18	Pipe Joint	1
19	AJ22FE2A-46-19	Valve Rod	1
20	AJ22FE2A-46-20	Packing Washer	1
21	AJ22FE2A-46-21	Rubber Pad	1
22	AJ22FE2A-46-22	Cover	1
23	AJ22FE2A-46-23	Filter Element	1
24	AJ22FE2A-46-24	Filter Cover	1
25	AJ22FE2A-46-25	Spring Washer	4
26	AJ22FE2A-46-26	Hex-Socket Screw	4



**Astro Pneumatic  
Tool Company**

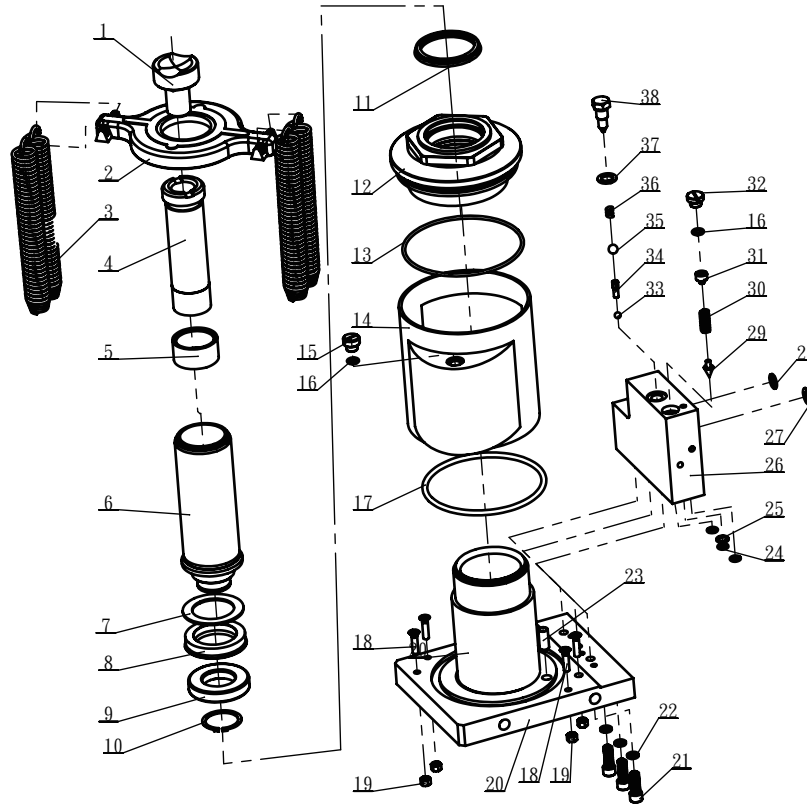
Model:

**AJ22FE2A**

Product Type:

**22 TON CAPACITY AIR OVER JACK  
WITH QUICK SPRINGS (2PC HANDLE)**

## PARTS BREAKDOWN



Index	Part No.	Description	Qty	Index	Part No.	Description	Qty
1	AJ22FE2A-48-01	Adaptor	1	20	AJ22FE2A-48-20	Cylinder	1
2	AJ22FE2A-48-02	Spring Nunger	1	21	AJ22FE2A-48-21	Bolt	3
3	AJ22FE2A-48-03	Spring	4	22	AJ22FE2A-48-22	Spring Washer	3
4	AJ22FE2A-48-04	Screw	1	23	AJ22FE2A-48-23	Oil Strainer	1
5	AJ22FE2A-48-05	Bush	1	24	AJ22FE2A-48-24	O-Ring	3
6	AJ22FE2A-48-06	Piston Rod	1	25	AJ22FE2A-48-25	Back-Up Ring	1
7	AJ22FE2A-48-07	Back-Ring	1	26	AJ22FE2A-48-26	Oil Box	1
8	AJ22FE2A-48-08	Packing	1	27	AJ22FE2A-48-27	Washer	1
9	AJ22FE2A-48-09	Packing Retainer	1	28	AJ22FE2A-48-28	Washer	1
10	AJ22FE2A-48-10	Snap Ring	1	29	AJ22FE2A-48-29	Safety Valve	1
11	AJ22FE2A-48-11	Oil Seal	1	30	AJ22FE2A-48-30	Spring	1
12	AJ22FE2A-48-12	Nut	1	31	AJ22FE2A-48-31	Spring Retainer	1
13	AJ22FE2A-48-13	O-Ring	1	32	AJ22FE2A-48-32	Bolt	1
14	AJ22FE2A-48-14	Oil Tank	1	33	AJ22FE2A-48-33	Steel Ball	1
15	AJ22FE2A-48-15	Breathing Screw	1	34	AJ22FE2A-48-34	Separator	1
16	AJ22FE2A-48-16	Packing	2	35	AJ22FE2A-48-35	Steel Ball	1
17	AJ22FE2A-48-17	O-Ring	1	36	AJ22FE2A-48-36	Spring	1
18	AJ22FE2A-48-18	Machine Screw	4	37	AJ22FE2A-48-37	Copper Packing	1
19	AJ22FE2A-48-19	Nut	4	38	AJ22FE2A-48-38	Bush	1