



Model: **7445**

Product Type:  
**45pc. TIRE REPAIR TOOL KIT**



## WARNING



Study, understand and follow all instructions provided with this product. Read these instructions carefully before installing, operating, servicing or repairing this tool. Keep these instructions in a safe accessible place.

### INTENDED USE OF THE TOOL

This tool intended to be used to manually repair damaged tires. Do not use this tool outside of the designed intent. Never modify the tool for any other purpose.



## WARNING



### Caution: To help prevent personal injury

- Normal use of this product is likely to expose the user to dust and/or microscopic particles containing chemicals known to the State of California to cause cancer, birth defects or other reproductive harm. Always wear appropriate safety equipment and clothing when using this product. Study, understand and follow all instructions provided with this product. Failure to read and follow all warnings and operating instructions may result in damages and serious injury or death.
- Always wear ANSI approved goggles when using this product. (Users and Bystanders).
- Never use this tool for any application other than for which it was designed.
- Only use accessories designed for this tool.
- Never alter or modify this tool in any way.
- Improper operation and/or maintenance of the tool, modification of the tool, or use of the tool with accessories not designed for it could result in serious injury or death.
- Always select the correct accessories of the correct size and design for the job that you are attempting to perform.
- Always work in a clean, safe, well-lit, organized and adequately equipped area.
- Do not begin repairs without assurance that vehicle is in secure position, and will not move during repair.



**Astro Pneumatic  
Tool Company**



PLEASE DO NOT RETURN ANY PRODUCT WITHOUT



### Before Use

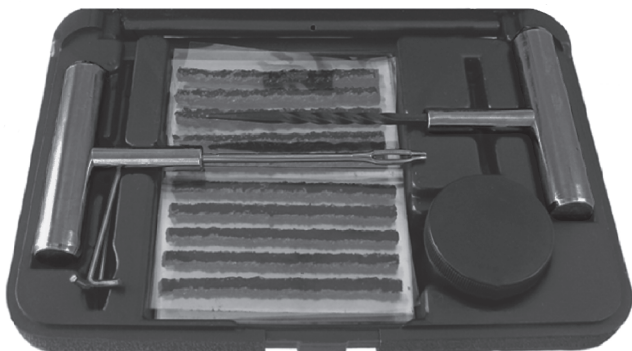
Before use, check the parts diagram and part number listing on page 3 to make sure all parts are included. If any parts are missing or damaged, please call your distributor.

## PRODUCT INFORMATION:

Set Includes:

- 1pc - Heavy-Duty Steel T-handle Insert Tool
- 1pc - Heavy-Duty Steel T-handle Spiral Probe Reamer
- 2pcs - Replacement tool - 3mm Allen Wrench
- 40pcs - 4" Tire Repair String (Tire Plug)
- 1pc - Lubricant

### 45pc. TIRE REPAIR TOOL KIT



MADE IN CHINA



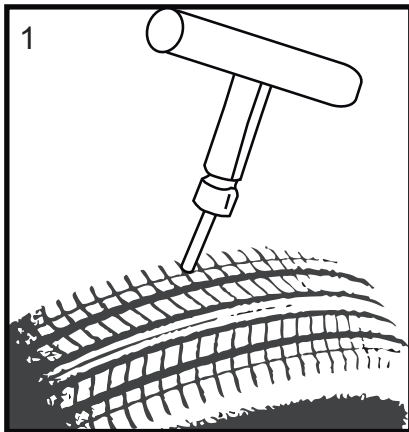
Model:

# 7445

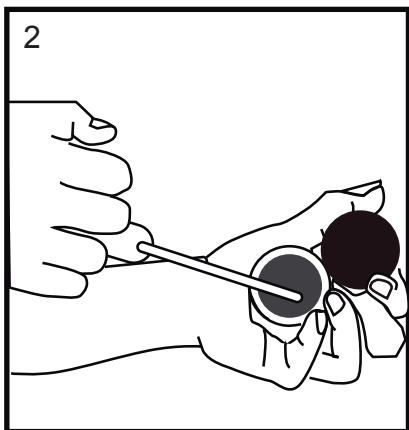
Product Type:

## 45pc. TIRE REPAIR TOOL KIT

### INSTRUCTIONS:



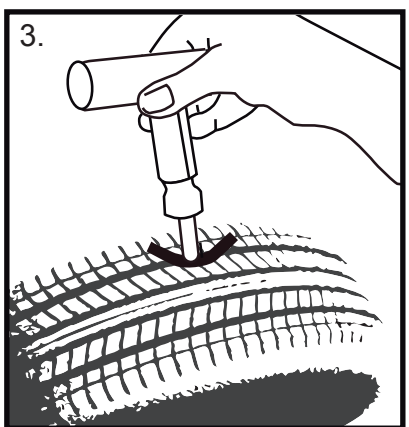
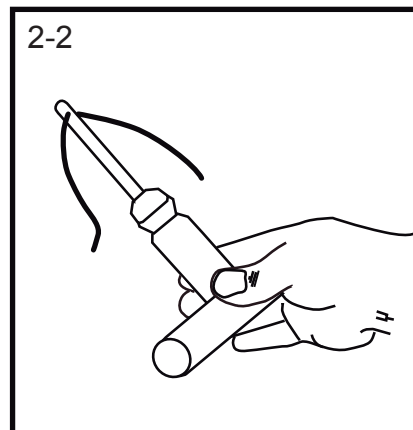
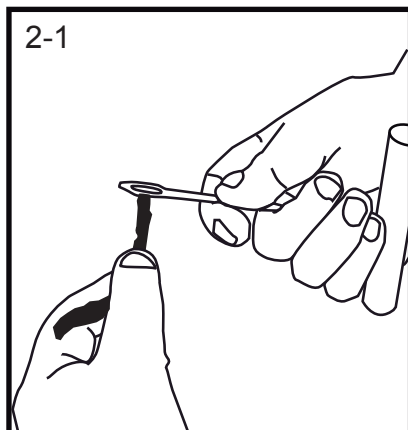
1. Insert the Heavy-Duty Steel T-handle Spiral Probe Reamer into the punctured tread at a slight angle then straighten the reamer and push the tapered shaft in and out of the hole several times to expand and enlarge the broken steel cord.



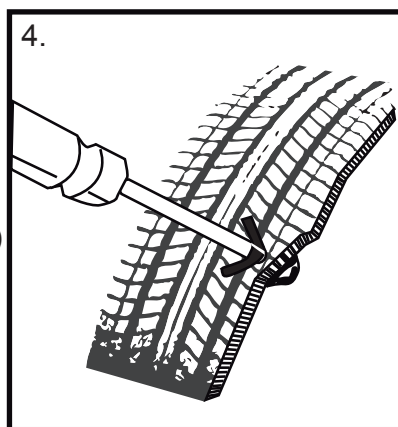
2. Prepare Heavy-Duty Steel T-handle Insert Tool for insertion by first dipping the tip into the lubricant.

2-1. Next insert the tire repair string (tire plug) through the hole in the installer tool.

2-2. Make sure that the tire repair string (tire plug) is fairly well centered in the shaft prior to installation.



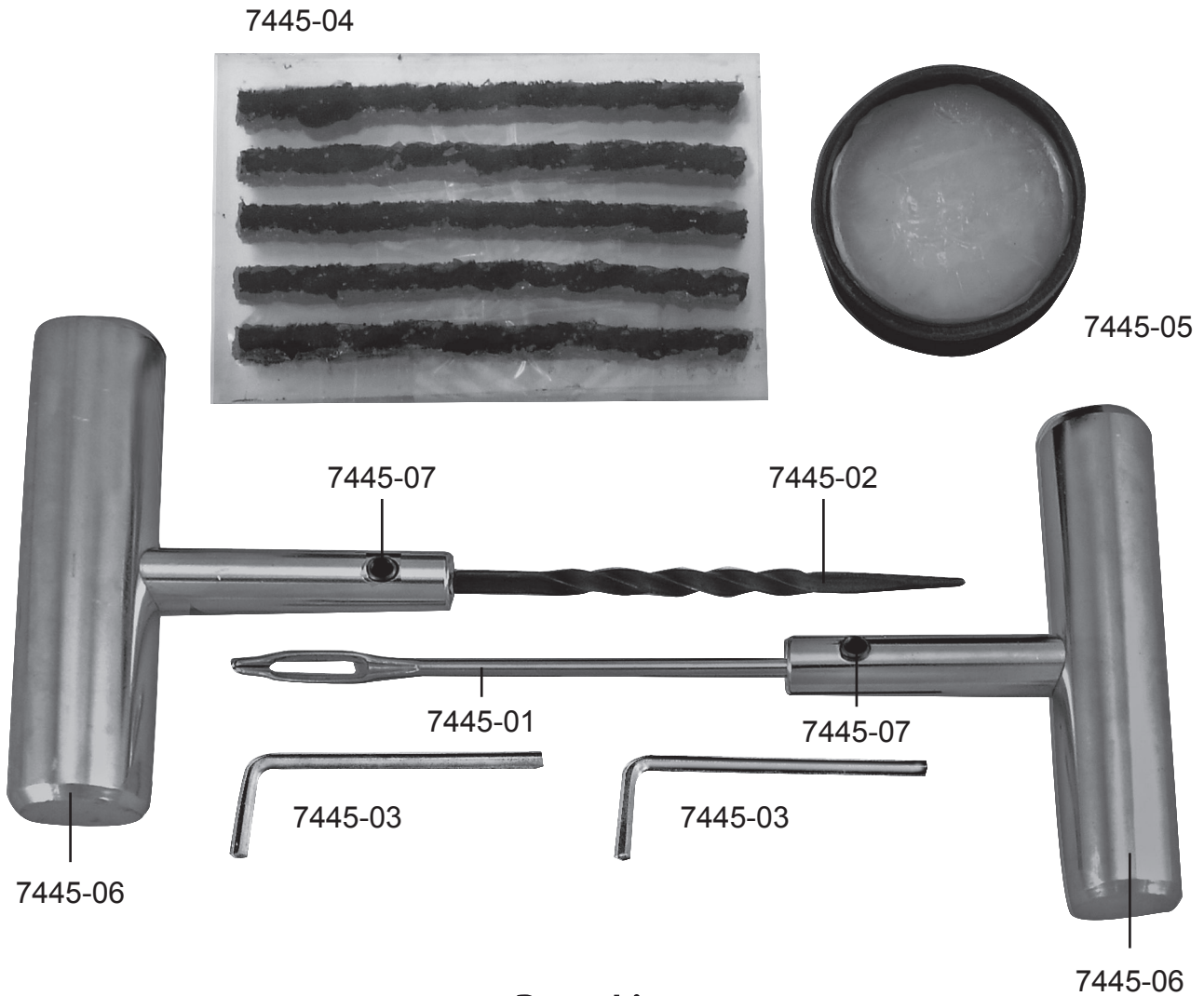
3. Insert the tire repair string (tire plug) into the hole and push straight down on the insert tool handle till the ends of the tire repair string (tire plug) are sticking out of the tire 1/2" to 1" (13-25mm).



4. Pull the Heavy-Duty Steel T-handle Insert Tool straight out of the hole till the tip is just even with the tire tread then cut the exposed tire plug ends just slightly above the tread and remove the installation tool.

5. Air tire to its correct tire pressure and check that the puncture is sealed and not leaking.

**PARTS BREAKDOWN**



**Parts List**

<b>Index No.</b>	<b>Part No.</b>	<b>Description</b>	<b>Qty</b>
1	7445-01	T-handle Insert Tool	1
2	7445-02	T-handle Spiral Probe Reamer	1
3	7445-03	3mm Allen Wrench	2
4	7445-04	4" Tire Repair String (Tire Plug)	40
5	7445-05	Lubricant	1
6	7445-06	Steel T-Handle	2
7	7445-07	T-Handle Set Screw	2