



Model:

7345

Product Type:

15L (4 GAL) PROFESSIONAL MANUAL FLUID EXTRACTOR



WARNING



Study, understand and follow all instructions provided with this product. Read these instructions carefully before installing, operating, servicing or repairing this tool. Keep these instructions in a safe accessible place.

INTENDED USE OF THE TOOL

The 7345 is used to extract non volatile fluids from vehicle engines and transmissions. Do not use this tool outside of the designed intent. Never modify the tool for any other purpose or use.



WARNING



Caution: To help prevent personal injury

- Use of this product can expose you to chemicals including ethylene glycol, gasoline vapors and engine exhaust, which are known to the State of California to cause cancer, birth defects, or reproductive harm. Always wear ANSI approved safety equipment, safety glasses and clothing when using this product. Study, understand, and follow all instructions provided with this product. Failure to read and follow all warnings and operating instructions may result in damages and serious injury or death.
- Always wear ANSI approved goggles when using this product. (Users and By standers).
- Never use this tool for any application other than for which it was designed.
- Only use accessories designed for this tool.
- Never alter or modify this tool in any way.
- Improper operation and/or maintenance of the tool, modification of the tool, or use of the tool with accessories not designed for it could result in serious injury or death.
- Always select the correct accessories of the correct size and design for the job that you are attempting to perform.
- Always work in a clean, safe, well-lit, organized and adequately equipped area.
- Do not begin repairs without assurance that vehicle is in secure position, and will not move during repair.

BEFORE USE

When unpacking, check the parts diagram and part number listing on page 3 to make sure all parts are included. If any parts are missing or damaged, please call your distributor.

DO NOT DISCARD – GIVE TO USER



Astro Pneumatic Tool Company

PRODUCT INFORMATION

- Multi-use extractor designed to extract oils from cars, trucks, motorcycles, marine engines and industrial equipment
- Large 15L (4 gallon) capacity, 3-4X the capacity of most extractors for professional daily use
- Extracts engine oil, transmission fluid, axle and gearbox oil, power steering fluid, brake fluid and other non-flammable low-viscosity fluids, such as water and coolant
- Includes 3 hose sizes in 10mm, 6mm and 4mm ID for up to 10ft of extension and silicone brake bleeder hose with adapter
- Store and lock pump handle locks in place when stowed for a convenient carry handle

Specifications:

Capacity: 15L

Hose Length: 3.5ft

Hose Sizes: 10mm, 6mm, 4mm

Dimensions: H22" x W17" x D10"



Model:

7345

Product Type:

15L (4 GAL) PROFESSIONAL MANUAL FLUID EXTRACTOR

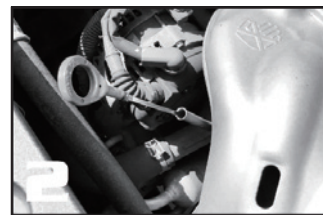
PRODUCT INFORMATION

1. Please always wear safety goggles.
2. Keep out of reach of children.
3. Do not use the unit to extract or store dangerous chemicals, poisons, acids, alkaline, or solvents. If by chance, liquids such as these are used in the unit, it must be immediately, drained, washed and cleaned.
4. Flammable liquids such as petrol, diesel or kerosene may be extracted or siphoned with the unit but they must not be stored in it.
5. Do not dismantle, tamper with or adapt the unit for any other purpose than what it was originally intended for.
6. Do not drop, throw or mishandle the unit.
7. Do not store either, the unit or suction tubes near or in areas of high temperature, direct sunlight, rain or snow.
8. When extracting flammable liquids, caution should be used due to flammable vapors.
9. The temperature of the fluid should be between 33°F - 212°F when operating. (APPLICATIONS)

For extraction all types of engine oils, transmission fluids, lubricants, from motor cars, motor bikes, marine engines, stationary engines, large and small industrial machinery, as well as non lubricants such as water from fish tanks, etc...



When using the manual fluid extractor unit to extract engine oil, first you need to make sure the vehicle is level, and then run the engine for about 5 minutes to warm the oil and allow any sludge or contamination within the oil to mix.



► Pull out the engine oil dipstick



Insert the hose into the hole of the dipstick (4. to be inserted to the bottom of the engine), and then connect the other end of the hose to the extension hose provided.



► Insert the tubing

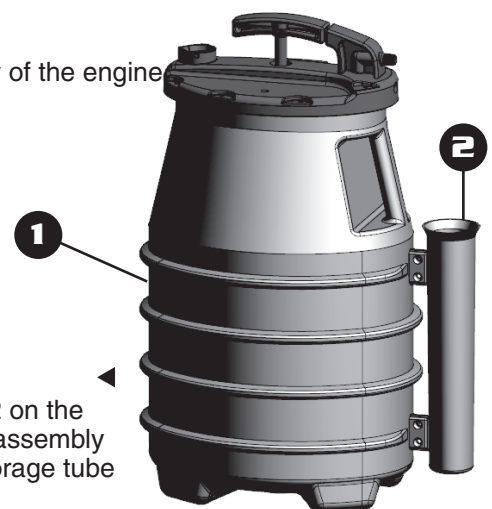


Turn the handle on top of the (-02) upper cover. (Check before the operation. 4. Check if the tube is inserted to the bottom of the engine.)

After confirming that the tubes are secured, the barrel will create vacuum by pumping the handle up/down. (up/down cycle, just 6~10 pumps to confirm whether the inside of the barrel created vacuum)

After the barrel creates vacuum, the oil body of the engine will be draining into the extractor barrel.

► Turn the handle up



Fix the assembly 2 on the 1 to complete the assembly
Installation and storage tube



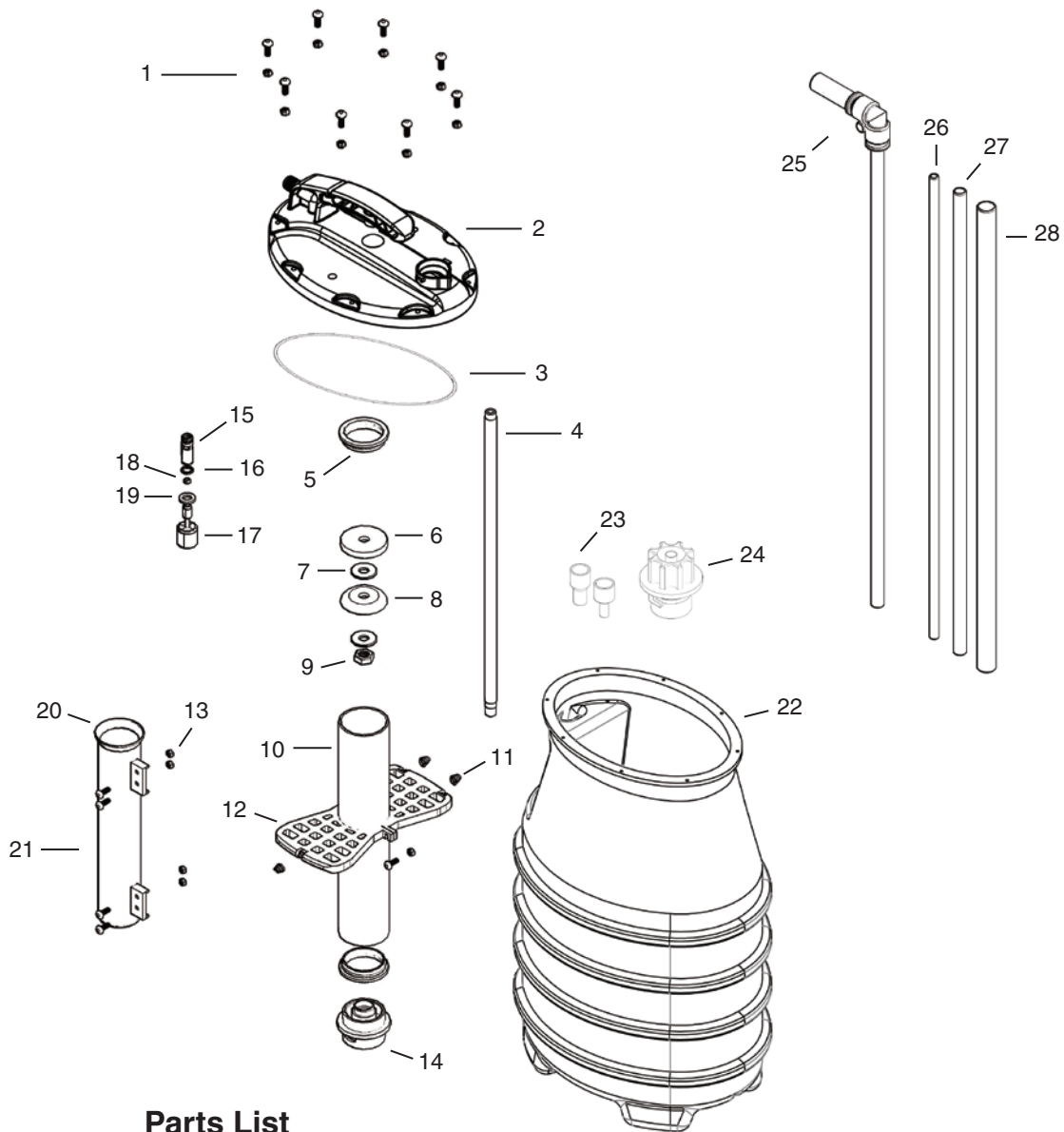
Model:

7345

Product Type:

15L (4 GAL) PROFESSIONAL MANUAL FLUID EXTRACTOR

PARTS BREAKDOWN



Parts List

Index	Part No.	Description	Qty
1	7345-01	Screw Posts	8
2	7345-02	Upper Cover	1
3	7345-03	O-ring	1
4	7345-04	Iron Tube	1
5	7345-05	Anti-shedding O-ring	1
6	7345-06	Gasket	1
7	7345-07	Gasket	2
8	7345-08	Air Cushion	1
9	7345-09	Inner Screw Posts	1
10	7345-10	Aluminum Tube	1
11	7345-11	Spring	2
12	7345-12	Anti-compression Baffle	1
13	7345-13	Screw Posts	5
14	7345-14	Vacuum Oil Drum Base	1

Index	Part No.	Description	Qty
15	7345-15	Check Valve - Main Body	1
16	7345-16	O-ring	1
17	7345-17	Check Valve - Float	1
18	7345-18	C-shaped Button	1
19	7345-19	Gasket	1
20	7345-20	Oil Collecting Pipe	1
21	7345-21	Posts	1
22	7345-22	Pumping Barrel - Main Body	1
23	7345-23	Tube Bundle Accessories	2
24	7345-24	Upper Cover Knob	1
25	7345-25	Bleed Valve Tubing Connector	1
26	7345-26	4.8mm PA Tube	1
27	7345-27	6.7mm PA Tube	1
28	7345-28	10mm PA Tube	1