



Model:

7344

Product Type:

LARGE CAPACITY GEARBOX OIL FILLING SYSTEM



WARNING



Study, understand and follow all instructions provided with this product. Read these instructions carefully before installing, operating, servicing or repairing this tool. Keep these instructions in a safe accessible place.

INTENDED USE OF THE TOOL

The 7344 is used to fill non volatile fluids into vehicles engines and transmissions. Do not use this tool outside of the designed intent. Never modify the tool for any other purpose or use.



WARNING



Caution: To help prevent personal injury

- Use of this product can expose you to chemicals including ethylene glycol, gasoline vapors and engine exhaust, which are known to the State of California to cause cancer, birth defects, or reproductive harm. Always wear ANSI approved safety equipment, safety glasses and clothing when using this product. Study, understand, and follow all instructions provided with this product. Failure to read and follow all warnings and operating instructions may result in damages and serious injury or death.
- Always wear ANSI approved goggles when using this product. (Users and By standers).
- Never use this tool for any application other than for which it was designed.
- Only use accessories designed for this tool.
- Never alter or modify this tool in any way.
- Improper operation and/or maintenance of the tool, modification of the tool, or use of the tool with accessories not designed for it could result in serious injury or death.
- Always select the correct accessories of the correct size and design for the job that you are attempting to perform.
- Always work in a clean, safe, well-lit, organized and adequately equipped area.
- Do not begin repairs without assurance that vehicle is in secure position, and will not move during repair.

BEFORE USE

When unpacking, check the parts diagram and part number listing on page 2 to make sure all parts are included. If any parts are missing or damaged, please call your distributor.

DO NOT DISCARD – GIVE TO USER



Astro Pneumatic Tool Company

PRODUCT INFORMATION

- Large reservoir capacity of 15L (4 Gal) designed for daily professional use
- 3.5ft fluid dispensing hose features brass shut-off valve and connector for use with most common transmission adapters
- Store and lock pump handle locks in place when stowed for a convenient carry handle

Specifications:

Capacity: 15L

Hose Length: 3.5ft

Min. Remaining Fluid After Use: 0.4L

Dimensions: H22" x W17" x D10"



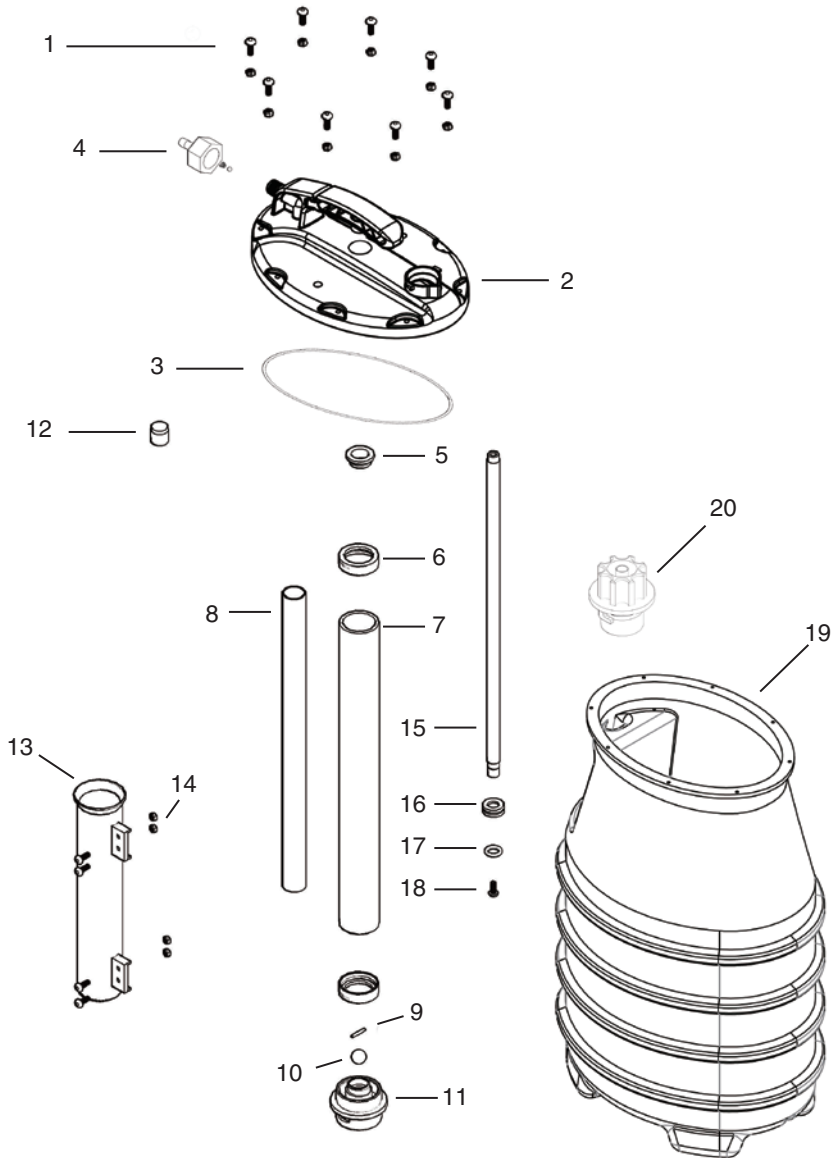
Model:

7344

Product Type:

LARGE CAPACITY GEARBOX OIL FILLING SYSTEM

PARTS BREAKDOWN



Parts List

Index	Part No.	Description	Qty
1	7344-01	Screw Posts	8
2	7344-02	Upper Cover	1
3	7344-03	O-ring	1
4	7344-04	Accessories 1	1
5	7344-05	Anti-shedding O-ring	1
6	7344-06	Anti-shedding O-ring	2
7	7344-07	Aluminum Tube	1
8	7344-08	Aluminum Tube	1
9	7344-09	Iron Bolt	1
10	7344-10	Iron Beads	1
11	7344-11	Vacuum Oil Drum Base	1

Index	Part No.	Description	Qty
12	7344-12	Fixing Bolt	1
13	7344-13	Oil Collecting Pipe	1
14	7344-14	Screw Posts	4
15	7344-15	Iron Tube	1
16	7344-16	Piston	1
17	7344-17	O-ring	1
18	7344-18	Screw	1
19	7344-19	Pumping Barrel - Main Body	1
20	7344-20	Upper Cover Knob	1