



**Astro Pneumatic  
Tool Company**

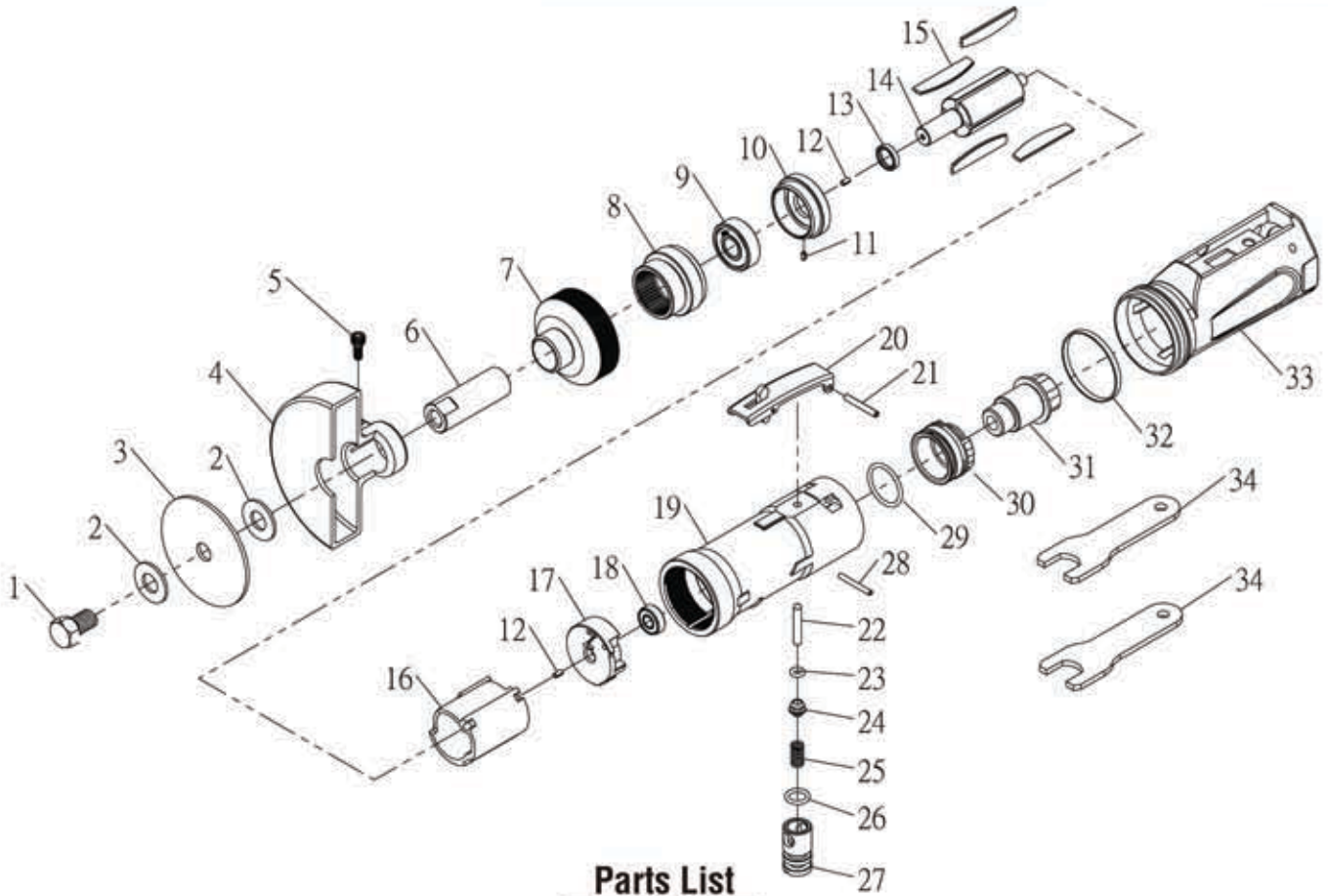
Model:

**208**

Product Type:

**3" CUT-OFF TOOL**

## PARTS BREAKDOWN



### Parts List

Index	Part No.	Description	Qty	Index	Part No.	Description	Qty
1	208-01	3/8" Hex Bolt	1	18	208-18	Ball Bearing (696ZZ)	1
2	208-02	Wheel Washer	2	19	208-19	Motor Housing	1
3	208-03	Cut-Off Wheel	1	20	208-20	Safety Lever Ass'y	1
4	208-04	Safety Guard	1	21	208-21	Spring Pin ( $\phi$ 3x22)	1
5	208-05	Cap Screw	1	22	208-22	Valve Shaft	1
6	208-06	Arbor	1	23	208-23	O-Ring (P4)	1
7	208-07	Housing Cap	1	24	208-24	Throttle Valve	1
8	208-08	Lock Ring	1	25	208-25	Valve Spring	1
9	208-09	Ball Bearing (6000zz)	1	26	208-26	O-Ring (P010A)	1
10	208-10	Front End Plate	1	27	208-27	Valve Screw	1
11	208-11	Spring Pin ( $\phi$ 2.5x4)	1	28	208-28	Spring Pin ( $\phi$ 2.5x20)	1
12	208-12	Spring Pin ( $\phi$ 2.5x5)	2	29	208-29	O-Ring (S022.4)	1
13	208-13	Spacer	1	30	208-30	Exhaust Sleeve	1
14	208-14	Rotor	1	31	208-31	Inlet Bushing	1
15	208-15	Rotor Blade	4	32	208-32	"O" Rubber Band	1
16	208-16	Cylinder	1	33	208-33	Housing Cover	1
17	208-17	Rear End Plate	1	34	208-34	(#14)Spanner Wrench Set	1