



4" Heavy Duty Sealed Speaker with Grille

JXHD40



PRODUCT FEATURES

- Max power handling: 120 watts
- RMS power: 20-40 watts
- Sensitivity: 82dB
- Frequency: 70Hz - 20kHz
- Nominal impedance: 4 Ohms
- Polypropylene woofer: 4"
- Magnet: 4.3 oz.
- Mounting hole diameter: 4"
- Mounting depth: 1.65"
- Tweeter type: Dome
- Tweeter material: Mylar cone/Neodymium magnet

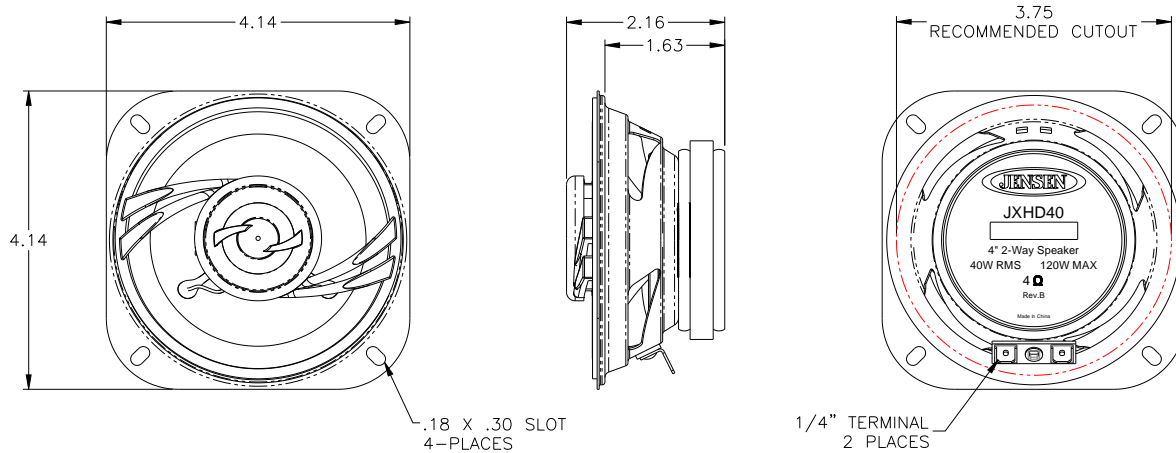
DESIGNED TO MOVE [YOU][™]

asa
ELECTRONICS[™]



4" Heavy Duty Sealed Speaker with Grille

JXHD40



General Specifications:

Woofer Size	4"	
Woofer Material	Poly-propylene	
Tweeter Type	Dome	
Tweeter Material	Mylar Cone / Neodymium Magnet	
Voice Coil Size	1"	
Magnet Weight	4.3 oz	
Mounting Depth	1.65"	
Hole Size	4"	
Impedance	4 Ω	
Temperature Range	-30°C - 70°C	-22°F - 158°F
Max RH	100%	
Terminal Size	Positive - 1/4"	Negative - 1/4"

Performance Specifications:

Frequency Response	70 Hz – 20 KHz	
RMS Power Range	20 - 40 W	
Max Power	120 W	
SPL @ 1 W/ 1 M	82 dB	
Resonant Frequency	114 Hz	