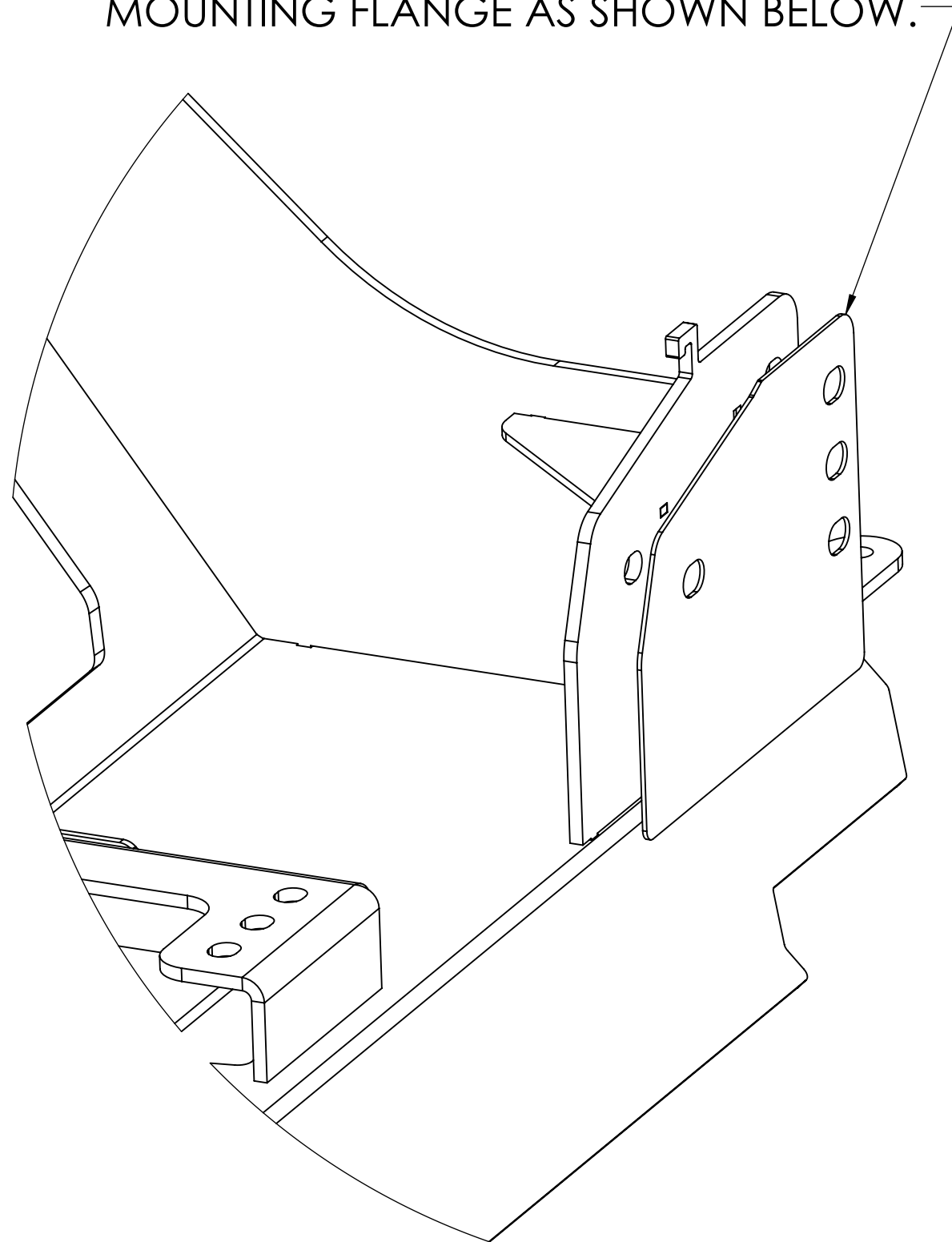


DUE TO LARGE SCALE OEM MANUFACTURING TOLERANCES WE HAVE INCLUDED SHIMS TO ENSURE A PRECISE FITMENT OF OUR BUMPER ON YOUR VEHICLE. THESE SHIMS ARE OPTIONAL AND ARE ONLY NEEDED IN RARE CASES. SHIMS ARE TO BE INSTALLED BETWEEN THE BUMPER MOUNTING FLANGE AND THE FRAME SIDE MOUNTING FLANGE AS SHOWN BELOW.



When it comes to quality off-road bumpers, Artec Industries is the brand you can depend on.