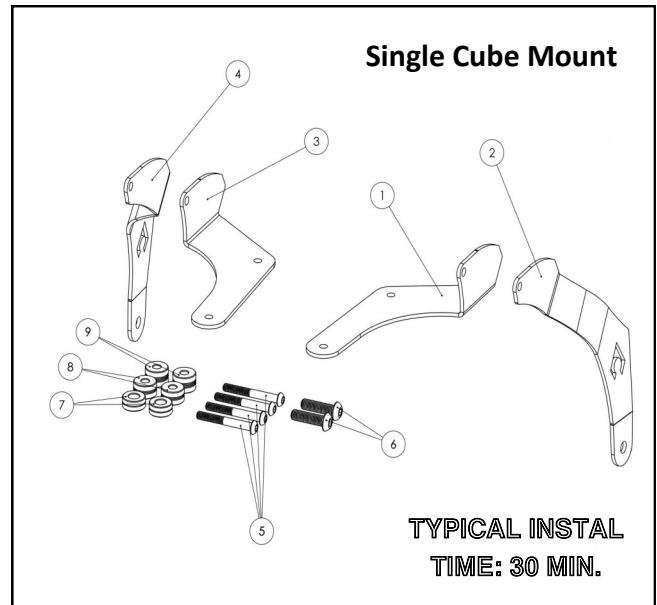
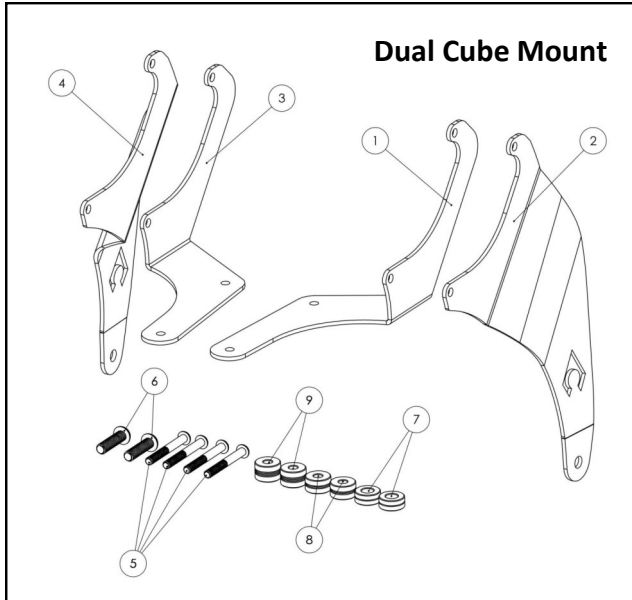


ARTEC INDUSTRIES

JL A-Pillar Single/Dual LED Light Cube Mount

PARTS LIST

- | | |
|---------------------------------|-------------------------------|
| 1. Driver side inner bracket | 5. Four 50mm long bolts |
| 2. Driver side outer bracket | 6. Two 30mm long bolts |
| 3. Passenger side inner bracket | 7. Two spacers with 1 groove |
| 4. Passenger side outer bracket | 8. Two spacers with 2 grooves |
| | 9. Two spacers with 3 grooves |



STEP 1. Unpack contents of shipment. Make sure that all of the parts required are included with your kit. If any items are missing and package is damaged, report it to the shipping company driver, KEEP ALL ORIGINAL PACKAGING & contact us.

REQUIRED TOOLS

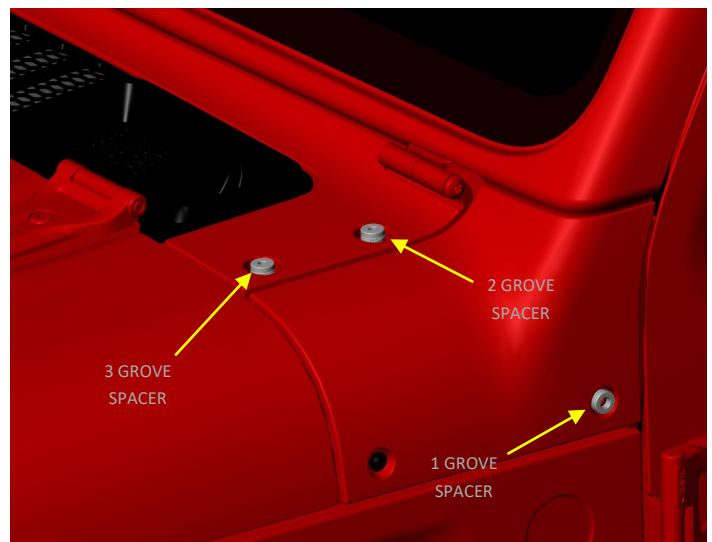
- T40 TORX WRENCH
- 4MM ALLEN WRENCH
- 5MM ALLEN

STEP 2. Using the mounting hardware provided by your light manufacture, mount a inner and outer driver brackets to two cube lights (or to one light for the single light mount). Tighten hardware till it is barley snug, do not tighten all the way at this point.



STEP 3. Start on the driver side of the vehicle. Using a T40 torx wrench, remove two bolts on the top of the cowl and one bolt on the side rear of the cowl.

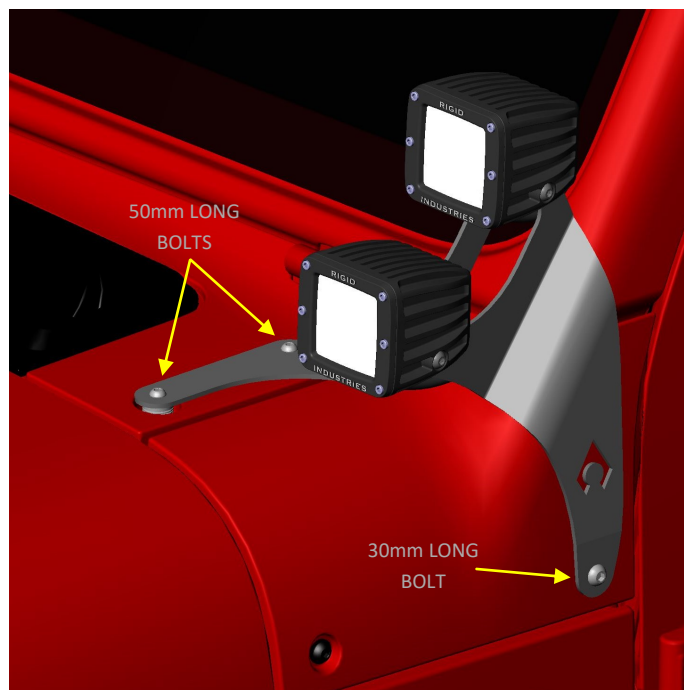
STEP 4. Place one spacer with 3 grooves in the front space, the spacer with 2 grooves in the rear space, and the spacer with 1 groove on the side.



STEP 5. Install the driver side brackets. Use two 50mm long bolts in the top of the cowl, and one 30mm long bolt in the side of the cowl. Tighten these bolts down.

STEP 5. Repeat steps 2-4 on the passenger side cowl with remaining spacers, bolts, and passenger side brackets.

STEP 7. Position the cube lights and tighten down all hardware. Follow your light manufactures instructions to wire your lights.



** Artec Industries, LLC is not responsible or liable for improper installation of this kit. Use common sense when installing.