

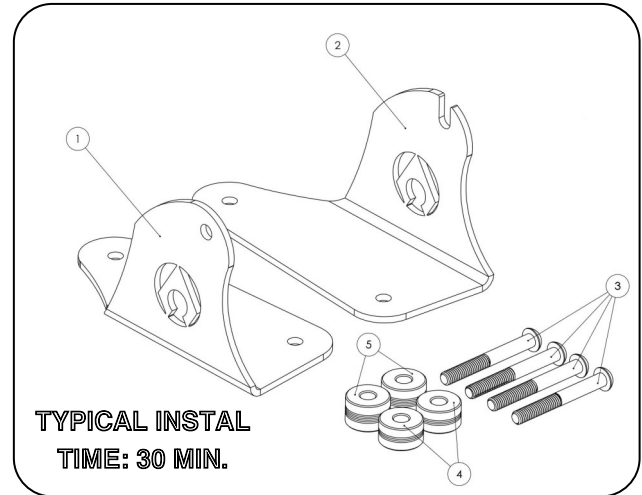
# ARTEC INDUSTRIES

## JL 50 Inch LED Light Bar Mount – Hood

**STEP 1.** Unpack contents of shipment. Make sure that all of the parts required are included with your kit. If any items are missing and package is damaged, report it to the shipping company driver, KEEP ALL ORIGINAL PACKAGING & contact us.

### REQUIRED TOOLS

- T40 TORX WRENCH
- 4MM ALLEN WRENCH

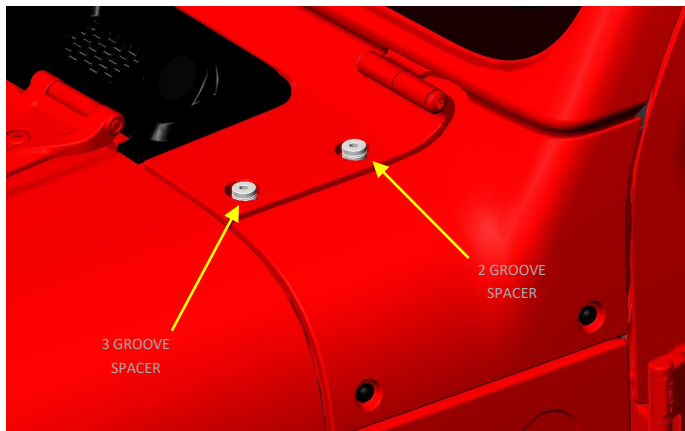


### PARTS LIST

1. Passenger side bracket
2. Driver side bracket
3. Four 50mm long bolts
4. Two spacers with 2 grooves
5. Two spacers with 3 grooves

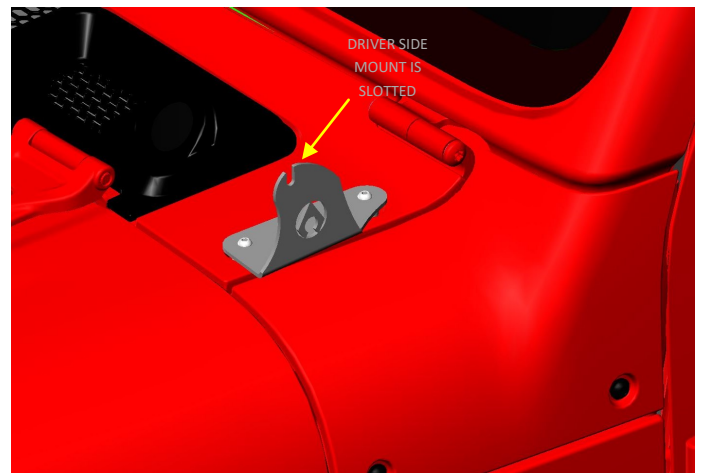
**STEP 2.** Start on the driver side of the vehicle. Using a T40 torx wrench, remove two bolts on the top of the cowl. These bolts will not be used later and can be set aside.

**STEP 3.** Place one spacer with 3 grooves in the front space. Place the spacer with 2 grooves in the rear space.



**STEP 4.** Using two of the provided bolts, install driver side bracket and tighten the bolts. The driver side bracket has a slot at the top. The passenger side bracket has a hole in the top.

**STEP 5.** Repeat steps 2-4 on the passenger side cowl with remaining spacers, bolts, and passenger side bracket.



**STEP 6.** Install the light bar by inserting the mounting post on the passenger side of the light bar into the mounting hole in the passenger side bracket. Then place the post on the driver side of the light bar into the slot of the driver side bracket. Tighten the light bar bolts according to the light manufacturer's specifications.



Discover other off-road lights on our website.