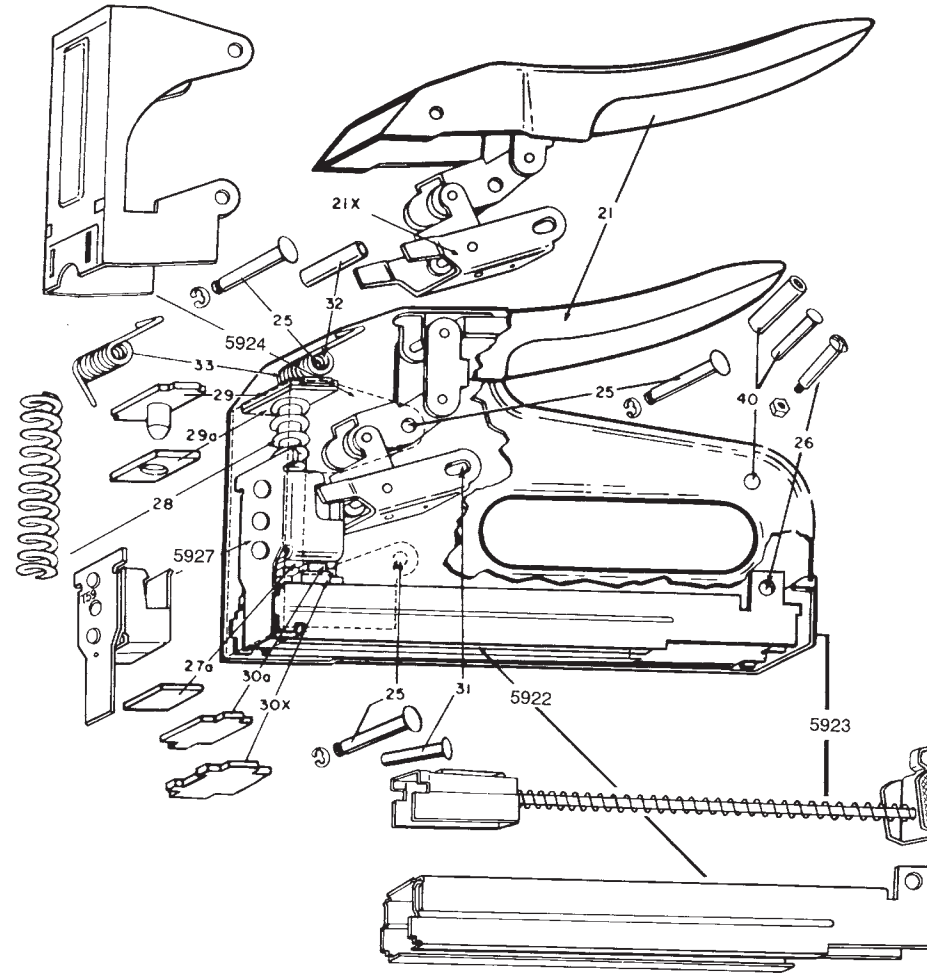


**ARROW**™  
HOW IT ALL COMES TOGETHER

**T59**™  
**GUN TACKER**

**MADE IN**  
**USA**  
**HECHO EN E.U.A.**



Prices subject to change without notice.



**SAFETY INSTRUCTIONS**

- Always be cautious of potential hazards such as electrical wiring, slippery footing, damp or wet conditions, etc.
- Make sure you know what you are fastening — look for hidden hazards.
- Keep work area clean. Cluttered areas and benches invite accidents.
- Keep children away. All visitors should be kept a safe distance from work area.
- Store idle tools. When not in use, tools should be stored in high or locked-up place — out of reach of children.
- Use safety glasses.
- Do not overreach. Keep proper footing and balance at all times.
- Maintain tools with care. Follow instructions with care.
- For service, use only approved service centers.
- Use only original parts provided by the supplier.
- Stay alert — watch what you are doing. Use common sense.
- Do not staple into electrical wires. Be cautious of wires that may be hidden from view. Disconnect circuits.

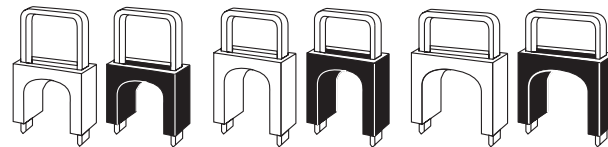
**Part No.**

21  
21X  
5922  
5923  
5924  
25  
26  
5927  
27a  
28  
29  
29a  
30X  
30a  
31  
32  
33  
40

POSTAGE AND HANDLING EXTRA

# T59™

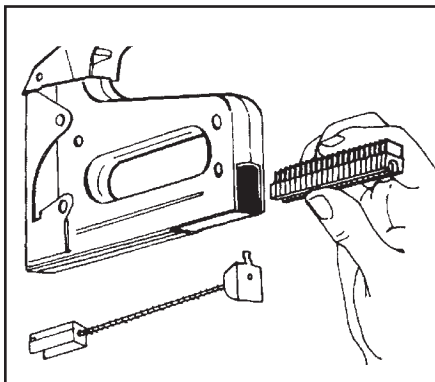
## OPERATING INSTRUCTIONS



1/4" x 1/4"  
6mm x 6mm

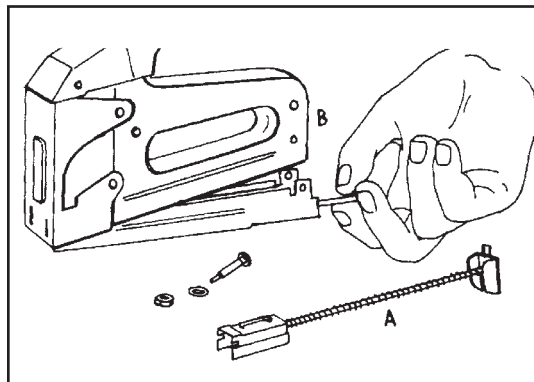
1/4" x 5/16"  
6mm x 8mm

5/16" x 5/16"  
8mm x 8mm



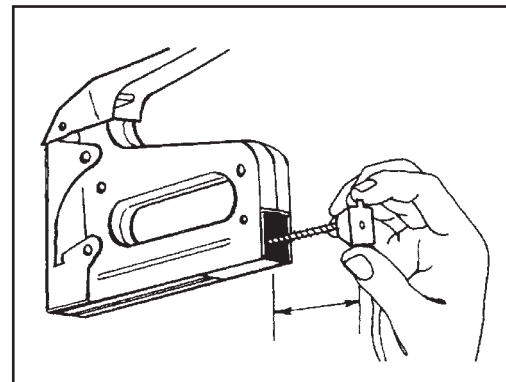
### TO LOAD

1. Remove pusher rod from machine.
2. Insert strip of staples.
3. Replace pusher rod.



### TO CLEAN STAPLE CHANNEL

1. Remove pusher rod A.
2. Remove screw and nut from hole B.
3. Pull down entire inside frame for complete cleaning.



### How to determine staple shortage for refill.

1. Press latch to release pusher rod.
2. Lightly push rod forward until it stops. Visible projected part of rod indicates amount of staples remaining in track.

### STAPLE PENETRATION

For best penetration with any gun tacker, raise the rear of the gun slightly off the work and bear down on the front end to prevent recoil when operating.

The power spring on the T59 will drive well into all ordinary woods.