

2002-2008 GM Coil Spring Conversion

Air Spring Removal



WARNING: The air suspension system is under pressure (up to 10 bar, or 150 lb/in²). Do not allow dirt or grease to enter the system. Always wear standard protective hand, ear, and eye protection when servicing the air suspension system.

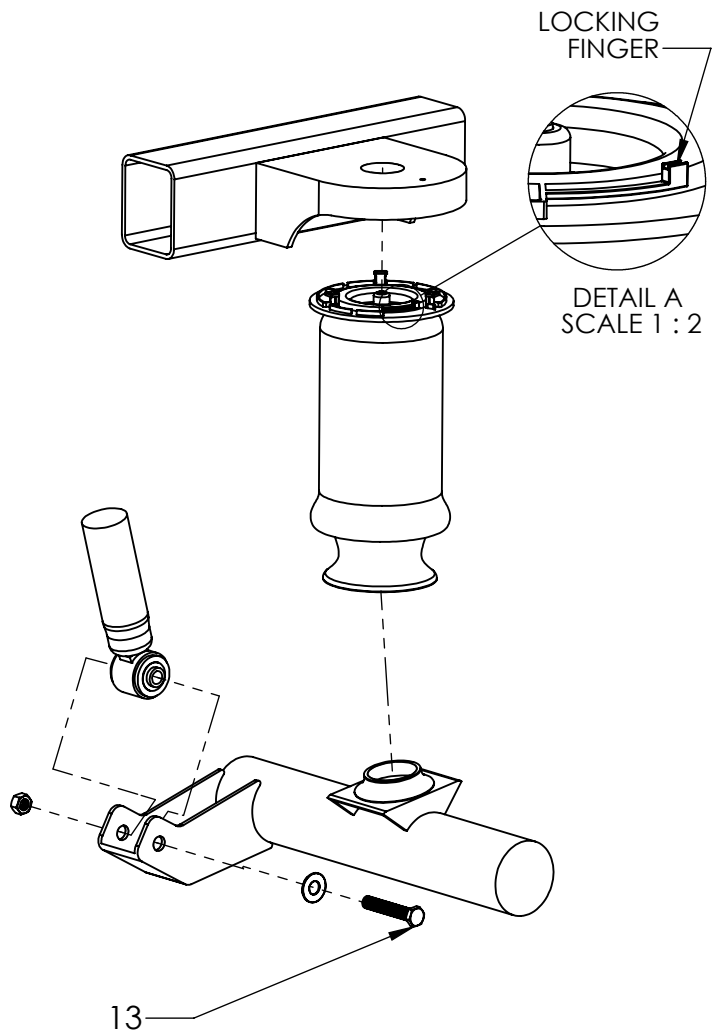
Removal

1. Raise the vehicle on a hoist or with the proper lifting equipment. Suspension must be at full rebound with no load.



WARNING: Always support the chassis on safety stands. Refer to your vehicle's Owner's Manual for correct lifting instructions.

2. Remove both rear tires.
3. Locate the air compressor behind the right rear wheel.
4. Remove the two lower mounting bolts from the compressor mounting plate. Lift upward on the compressor assembly and unhook the unit from the frame rail.
5. Deflate both rear air springs, by disconnecting the air lines leading from the compressor assembly to the rear air springs.
6. Unplug the compressors' electrical connectors and completely remove the old compressor from the vehicle. (The compressor will not be re-installed)
7. Rotate the rear air springs and pull downward to remove them from the axle. The air springs are held from turning with a plastic clip on top of the air spring. You may have to hold the plastic clip down while rotating the air spring to free it from the upper spring seat.
8. Disconnect the air line from the air springs by pressing down on the steel fitting while pulling outward on the air line.
9. Carefully remove air spring from the vehicle.
10. Seal off hose to prevent dirt or grease from entering system.
11. Remove both lower shock bolts. Allow axle to hang free unsupported. This will give you extra clearance for the coil spring.



Coil Spring Installation

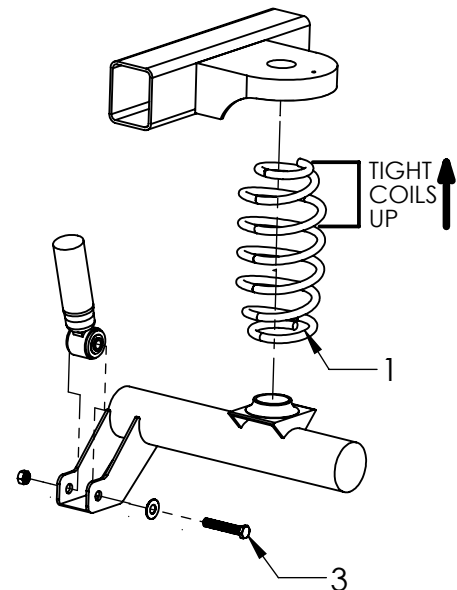
1. Install the coil springs onto the rear axle.
2. Using a floor jack, raise the rear axle.
3. Install the lower shock absorber retaining nut and bolt to the rear axle. Tighten the lower shock absorber retaining nut and bolt to 95 N-m (70 lb-ft).
4. Remove the rear axle support.
5. Replace tire and wheel assembly. Tighten wheel hub bolt nuts to 115-142 N-m (85-105 lb-ft).
6. Remove all safety stands and lower vehicle.



WARNING: Make sure to tighten all wheel hub bolt nuts to 115-142 Nm (85-105 lb-ft). Failure to heed to this warning could result in serious bodily and vehicular damage.

Disarming the Air Suspension System

Leave the air suspension compressor off the vehicle in order to immobilize the system.



DIMENSIONS ARE IN INCHES
TOLERANCES:
FRACTIONAL ±
ANGULAR: MACH ± BEND ±
TWO PLACE DECIMAL ±
THREE PLACE DECIMAL ±

MATERIAL

FINISH

NEXT ASSY USED ON

APPLICATION

DO NOT SCALE DRAWING

NAME	DATE
DRAWN KMD	07/16/08
CHECKED	
ENG APPR.	
MFG APPR.	
Q.A.	
COMMENTS:	

2002-2008
BRAVADA / ENVOY /
RAINIER / TRAILBLAZER

SIZE	DWG. NO.	REV.
A	COIL-CONVERSION	0
SCALE: 1:8	WEIGHT:	SHEET 1 OF 1