

# Installation Manual

## A-2502 ARNOTT REAR LEFT AIR SPRING FOR 2000-2006 BMW X5 (COMFORT)



Congratulations on your purchase of an Arnett® air suspension product. We at Arnett Incorporated are proud to offer a high quality product at the industry's most competitive pricing. Thank you for your confidence in us and our product.

Proper installation is essential to experience and appreciate the benefits of this system. Please take a moment to review these installation instructions before you begin to install these components on your vehicle. The removal and installation of air suspension products should only be performed by a fully qualified, ASE Certified, professional.

It is equally important to be aware of all necessary safety measures while installing your new Air Suspension System. This includes proper lifting and immobilizing of the vehicle and isolation of any stored energy to prevent personal injury or property damage.

## "Engineered to Ride, Built to Last®"



**WARNING:** *The air suspension system is under pressure (up to 10 bar, or 150 lbf/in). Verify pressure has been relieved and disconnect power to the air suspension system prior to disassembly. Do not allow dirt or grease to enter the system. Always wear standard hand, ear, and eye protection when servicing the air suspension system.*

### KIT CONTAINS:

#### PARTS LIST

P/N	QTY	DESCRIPTION
21-4868	1	ARNOTT REAR LEFT AIR SPRING
21-6965	1	INSTRUCTION PACKET

# Installation Manual

## A-2502 ARNOTT REAR LEFT AIR SPRING FOR 2000-2006 BMW X5 (COMFORT)



### GENERAL INFORMATION:

- Not to be stored below 5°F (-15°C) or above 122°F (50°C).
- Avoid damage to air lines and cables.
- Removal and installation is only to be performed by fully qualified personnel.
- Use car manufacturer's diagnostic software.

**CAUTION:** *Damage to the vehicle and air suspension system can be incurred if work is carried out in a manner other than specified in the instructions or in a different sequence.*



*To avoid the possibility of short circuits while working with electric components consult your owner's manual on how to disconnect your battery.*



*Consult your vehicle owner's manual, service manual, or car dealer for the correct jacking points on your vehicle and for additional care, safety and maintenance instructions. Under no circumstances should any work be completed underneath the vehicle if it is not adequately supported, as serious injuries and death can occur.*

### AIR SPRING REMOVAL

1. OPEN TRUNK LID, UNLOCK LUGGAGE COMPARTMENT FLOORTRIM PANEL (1) AT HANDLE (2) AND REMOVE. (FIGURE A)

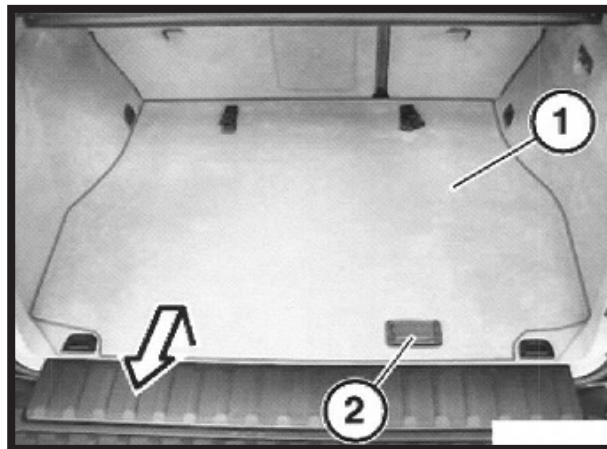


FIGURE A

2. RAISE THE VEHICLE.
3. REMOVE THE REAR WHEEL.

4. REMOVE SUPPORT FOR SIDE MEMBERS (1) AND (2) TO GAIN ACCESS TO AIR RESERVOIR. (FIGURE B)

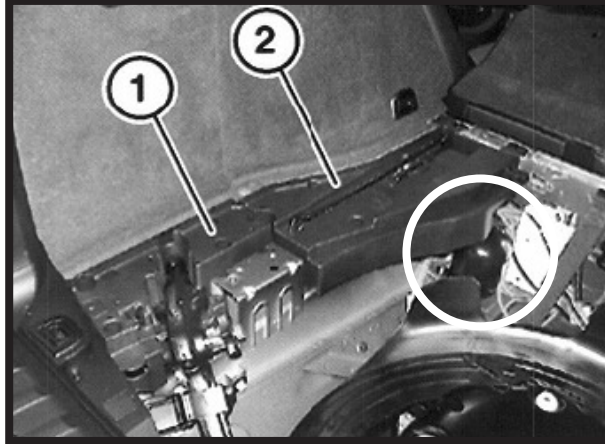


FIGURE B

5. CAREFULLY LOOSEN THE AIR FITTING TO DEFLATE THE AIR SPRING. (FIGURE C)

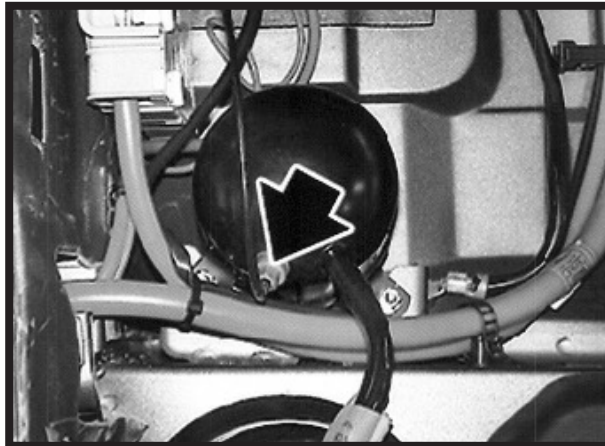


FIGURE C

6. DISCONNECT THE TOP OF THE AIR SPRING BY PRESSING QUICK COUPLING (1) DOWNWARDS, PRESS RETAINING RING (2) TOGETHER AND DETACH THE AIR LINE. REMOVE THE RETAINING CLIPS (3). (FIGURE D)

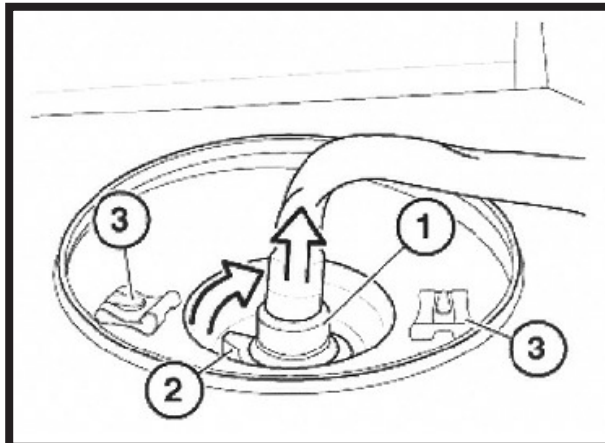


FIGURE D

7. DETACH LOCKING CLIP (1) FROM THE BOTTOM OF THE AIR SPRING MOUNT AND REMOVE AIR SPRING. (FIGURE E)

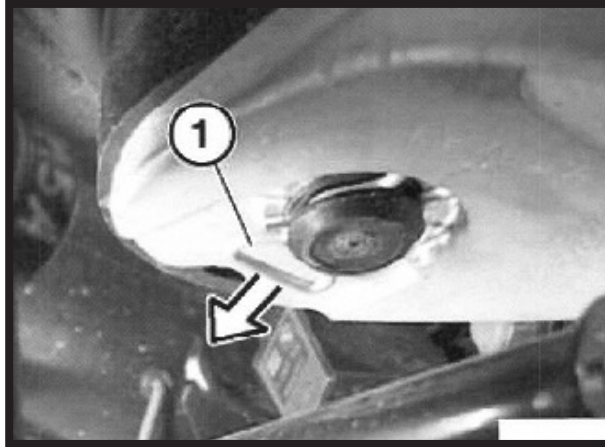


FIGURE E

8. REMOVE AIR SPRING FROM THE VEHICLE.
9. REMOVAL COMPLETE.

## AIR SPRING INSTALLATION



*Tighten all nuts and bolts to manufacturer's specifications during the installation process.*

1. INSTALLATION IS IN REVERSE ORDER OF AIR SPRING REMOVAL.