

TECHNICAL SERVICE BULLETINS, OR TSBs FOR SHORT, ARE NOTIFICATIONS MADE DIRECTLY BY MANUFACTURERS TO HELP AUTOMOTIVE TECHNICIANS DIAGNOSE AND REPAIR COMMONLY REPORTED PROBLEMS. A TSB IS ISSUED BY ARNOTT WHEN THERE IS A GROWING TREND WITH AN UNANTICIPATED ISSUE THAT INSTALLERS NEED TO BE MADE AWARE OF. ARNOTT TECHNICAL SERVICE BULLETINS ARE RECOMMENDED STEPS AND PROCEDURES FOR SPECIFIC PARTS AND OR COMPONENTS THAT SHOULD BE FOLLOWED TO AVOID INSTALLATION PROBLEMS.

### AIR STRUT - TOP MOUNTS

1. DO NOT REUSE FACTORY MOUNTING HARDWARE. USE THE ARNOTT SUPPLIED HARDWARE ONLY. (FIGURE 1)

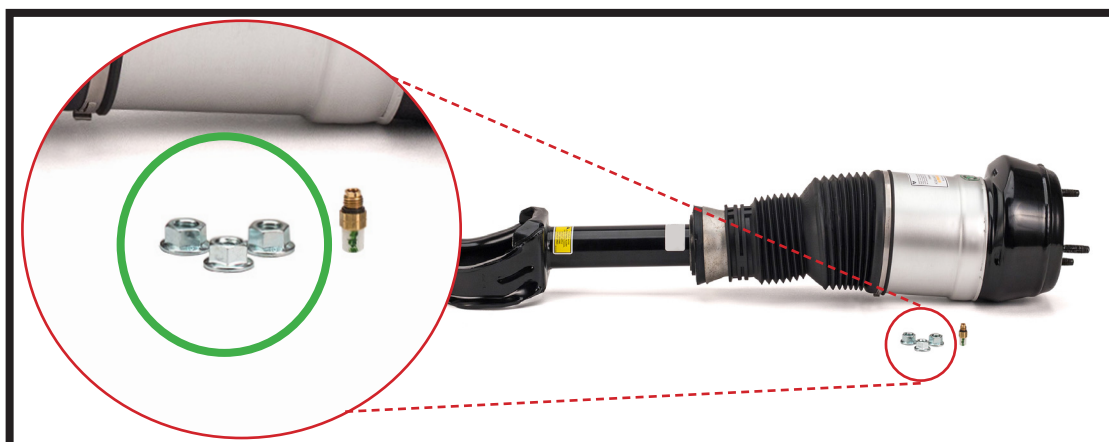


FIGURE 1

Arnott® is committed to the quality of its products.