



ARMORDILLO Products are designed as decorative accessories and should not be relied upon as protection for the vehicle or passengers. Buyers assume all risk and liability whatsoever resulting from installation and use of products. We assume no liability for injury, loss, incidental or consequential damages in the event of an accident.

ARMORDILLO guarantees the original purchaser a LIMITED 3-YEAR WARRANTY from date of purchase against manufactured defects in materials, workmanship and finish under normal use. This excludes damage resulting from road hazards, debris, product misuse, improper installation, impairments from accidents, neglect, shipping or product modification. This warranty applies only to new products and is limited to the repair or replacement products. Warranty does not include cost of removal, installation, labor, freight, inconvenience, or consequential damage. Original purchaser must return defective merchandise to the original place of purchase and must provide the proof of purchase.

**WARNING:** When working on, under or around vehicle exercise caution. If working without a lift check vehicle owners manual for correct jacking points. Always wear safety glasses and ensure a safe working area. Serious injury or death could occur if safety measures are not followed.

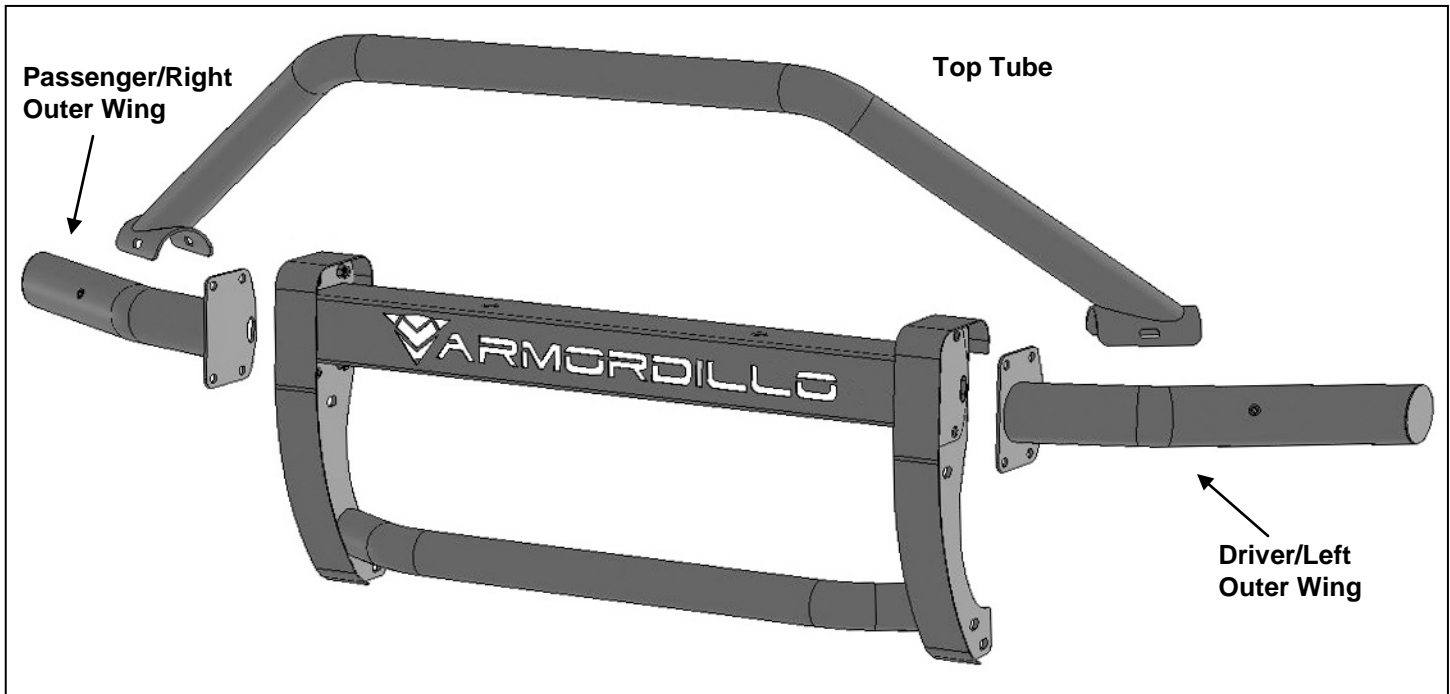
ARMORDILLO RECOMMENDS PROFESSIONAL INSTALLATION ON ALL THEIR PRODUCTS STOP - Verify part and application is correct before proceeding. If missing part or damaged item please contact customer service directly via message system on the site you bought the item from.

Call us at (909)895-4522 Monday-Friday 9am-6pm PST  
Email us At [SUPPORT@ARMORDILLOUSA.COM](mailto:SUPPORT@ARMORDILLOUSA.COM)

**AR Pre Runner Guard  
GRILLE GUARD ASSEMBLY**

**PARTS LIST:**

1	Rock Crawler Grille Guard	8	10-1.5mm x 30mm Button Head Bolts
1	Top Bar	8	10mm x 24mm OD x 2.2mm Flat Washers
1	Driver/left Outer Wing	8	10mm Lock Washers
1	Passenger/right Outer Wing	4	8-1.25mm x 20mm Button Head Bolts
1	6mm Wrench	4	8mm x 24mm x 2mm Flat Washers
1	5mm Wrench	4	8mm Lock Washers



**PROCEDURE:**

**REMOVE CONTENTS FROM BOX. VERIFY ALL PARTS ARE PRESENT. READ INSTRUCTIONS CAREFULLY BEFORE STARTING INSTALLATION. ASSISTANCE IS RECOMMENDED.**

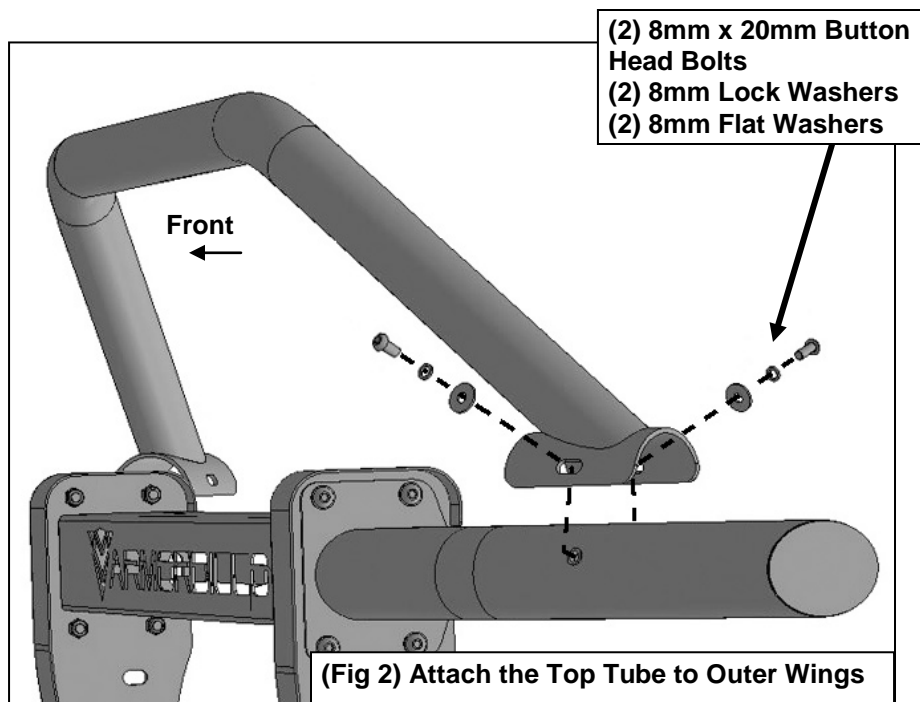
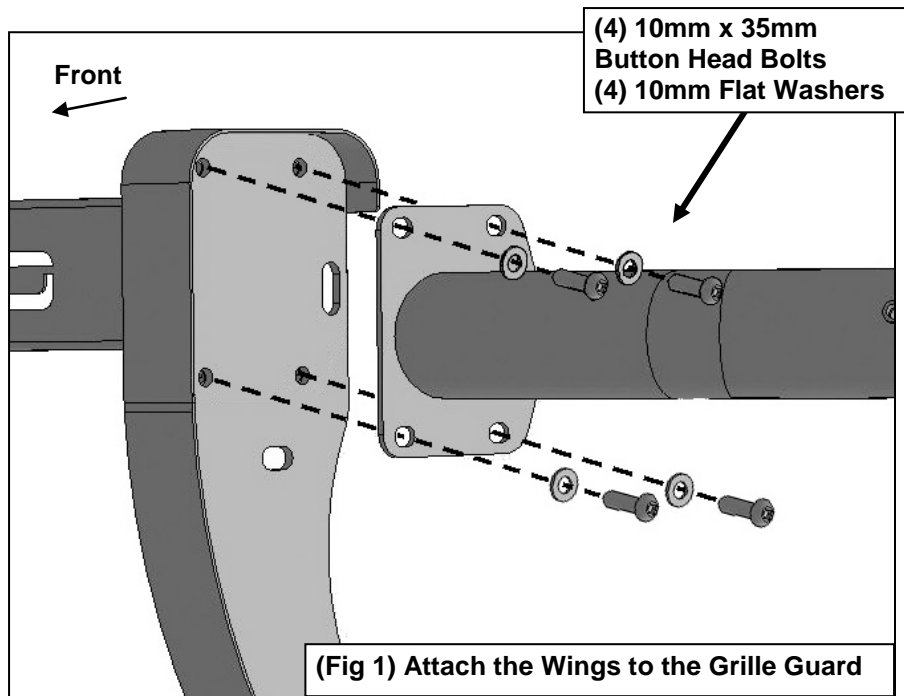
- Carefully unwrap the Grille Guard Center Section. Next, select the driver/left Grille Guard Outer Wing. Attach the Wing to the Center Section with (4) 10mm x 35mm Button Head Bolts and (4) 10mm Flat Washers, **(Figure 1)**. Do not tighten hardware at this time. Repeat this Step to attach the passenger/right side Grille Guard Outer Wing
- Select the Center Top Bar. Line up the mounting holes in the Top Bar with the threaded inserts in the left and right Outer Wings. Attach the Top Bar to the Wings with (4) 8mm x 20mm Button Head Bolts, (4) 8mm Lock Washers and (4) 8mm Flat Washers, **(Figure 2)**. Fully tighten the hardware attaching the Wings to the Grille Guard first, then tighten the Top Bar hardware.
- Do periodic inspections to the installation to make sure that all hardware is secure and tight.
- Refer to Bracket Kit installation instructions to attach Grille Guard to Brackets.

**To protect your investment**, wax this product after installing. Regular waxing is recommended to add a protective layer over the finish. Do not use any type of polish or wax that may contain abrasives that could damage the finish.

**For stainless steel:** Aluminum polish may be used to polish small scratches and scuffs on the finish. Mild soap may be used also to clean the Grille Guard.

**For gloss black finishes:** Mild soap may be used to clean the Grille Guard.

Driver Side Installation Pictured





ARMORDILLO Products are designed as decorative accessories and should not be relied upon as protection for the vehicle or passengers. Buyers assume all risk and liability whatsoever resulting from installation and use of products. We assume no liability for injury, loss, incidental or consequential damages in the event of an accident.

ARMORDILLO guarantees the original purchaser a LIMITED 3-YEAR WARRANTY from date of purchase against manufactured defects in materials, workmanship and finish under normal use. This excludes damage resulting from road hazards, debris, product misuse, improper installation, impairments from accidents, neglect, shipping or product modification. This warranty applies only to new products and is limited to the repair or replacement products. Warranty does not include cost of removal, installation, labor, freight, inconvenience, or consequential damage. Original purchaser must return defective merchandise to the original place of purchase and must provide the proof of purchase.

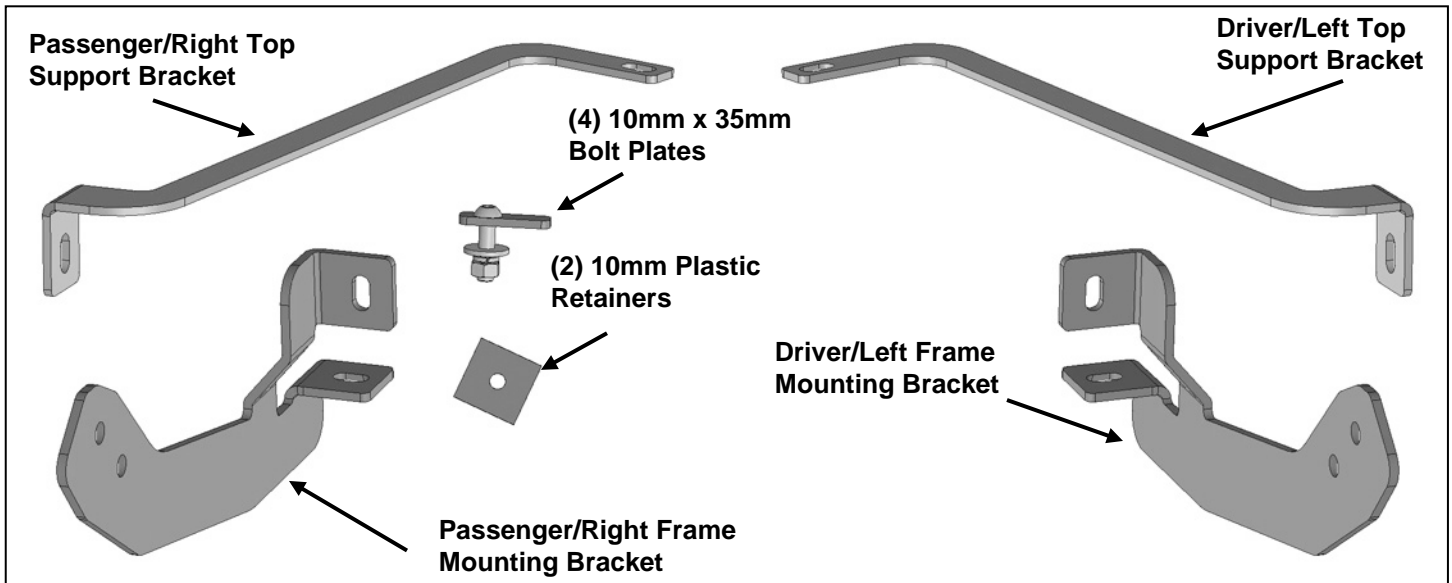
**WARNING:** When working on, under or around vehicle exercise caution. If working without a lift check vehicle owners manual for correct jacking points. Always wear safety glasses and ensure a safe working area. Serious injury or death could occur if safety measures are not followed.

ARMORDILLO RECOMMENDS PROFESSIONAL INSTALLATION ON ALL THEIR PRODUCTS STOP - Verify part and application is correct before proceeding. If missing part or damage item please contact customer service directly via message system on the site you bought the item from.

**Call us at (909)895-4522 Monday-Friday 9am-6pm PST  
Email us At [SUPPORT@ARMORDILLOUSA.COM](mailto:SUPPORT@ARMORDILLOUSA.COM)**

**PARTS LIST:**

1	Driver/Left Mounting Bracket	6	12-1.75mm x 40mm Hex Bolts
1	Passenger/Right Mounting Bracket	12	12mm x 32mmOD x 3mm Flat Washers
1	Driver/Left Top Bracket	6	12mm Lock Washers
1	Passenger/Right Top Bracket	6	12-1.5mm Hex Nuts
4	10-1.5mm x 40mm Bolt Plates	4	10mm x 27mm OD x 3mm Flat Washers
2	10mm Plastic Retainers	4	10mm Lock Washers
		4	10mm Hex Nuts



**PROCEDURE:**

- REMOVE CONTENTS FROM BOX. VERIFY ALL PARTS ARE PRESENT. READ INSTRUCTIONS CAREFULLY BEFORE STARTING INSTALLATION. CUTTING IS REQUIRED. ASSISTANCE IS RECOMMENDED.**
- From under the front of the vehicle, remove the plastic front lower air dam, **(Figure 1)**. Next, remove the passenger side factory hex bolt on the bottom of the frame cross-member, **(Figure 2)**.
- Select (1) 10mm Bolt Plate and Plastic Retainer, **(Figure 3)**. Partially thread the Plastic Retainer onto the Bolt Plate. Insert the Bolt Plate into the large hole in the forward-facing end of the frame. Thread the Plastic Retainer down tight against the frame, **(Figure 4)**. **NOTE:** The Plastic Retainer is designed to hold the Bolt Plate in place during Bracket installation.
- Select the passenger side Frame Mounting Bracket. Attach the top tab on the Bracket to the Bolt Plate with (1) 10mm Flat Washer, (1) 10mm Lock Washer and (1) 10mm Hex Nut, **(Figure 5)**. Leave loose at this time. Reuse the factory hex bolt removed in **Step 2** to attach lower mounting tab on the Bracket to the threaded hole in the bottom of the cross-member, **(Figure 6)**. Snug but do not fully tighten the hardware.
- Repeat **Steps 2—4** for driver side Frame Mounting Bracket installation.
- Open the hood on the vehicle and remove the plastic cover between the top of the radiator and the grille. Locate the steel cross-member mid-way up in front of the radiator, **(Figure 7)**. Cross-member can also be viewed and accessed from below the vehicle, **(Figure 8)**. Locate the factory holes in the bottom of the cross-member at each end, **(Figure 8)**. Select (1) 10mm Bolt Plate. Insert the Bolt Plate through the back of the cross-member and down through the hole in the bottom of the cross-member, **(Figures 9—11)**.
- Slide the passenger side Top Bracket through the plastic grille opening. Attach the flat end of the Top Bracket to the Bolt Plate with the included (1) 10mm Flat Washer, 10mm Lock Washer and (1) 10mm Hex Nut, **(Figures 12 & 13)**. Do not tighten hardware.

8. Repeat **Steps 6 & 7** for driver side Top Bracket installation, **(Figure 11)**.
9. With assistance, position the Grille Guard onto the inside of the Frame Brackets. Use the included (4) 12mm x 40mm Hex Bolts, (8) 12mm Flat Washers, (4) 12mm Lock Washers and (4) 12mm Hex Nuts to attach the Grille Guard to the Frame Brackets, **(Figures 14 & 15)**.
10. Line up the bent end of the passenger side Top Bracket with the corresponding hole in the upright on the Grille Guard. Attach the Top Bracket to the inside of the upright with the included 12mm x 40mm Hex Bolt, (2) 12mm Flat Washers, 12mm Lock Washer and 12mm Hex Nut, **(Figures 14 & 15)**. Do not tighten hardware at this time. Repeat this Step to attach the driver side Top Bracket to the Grille Guard.
11. Align the Grille Guard properly and tighten all Frame Bracket to frame hardware only. Temporarily remove the Grille Guard.
12. Hold the air dam, (removed in **Step 2**), up in approximate location against the previously installed Frame Brackets. Trace the location of the Frame Brackets onto the back of the air dam, **(Figure 16)**. Use a sharp knife or hacksaw blade to carefully cut slots in the air dam to clear the Frame Brackets and Grille Guard. **IMPORTANT:** For best results, start with a small opening and cut as little as possible to clear the Brackets. Reinstall the air dam over the Brackets. Reinstall the Grille Guard and fully tighten all hardware.
13. Do periodic inspections to the installation to make sure that all hardware is secure and tight.

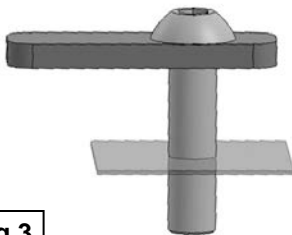
**To protect your investment**, wax this product after installing. Regular waxing is recommended to add a protective layer over the finish. Do not use any type of polish or wax that may contain abrasives that could damage the finish. Mild soap may be used to clean the Grille Guard.

### Passenger Side Installation Pictured

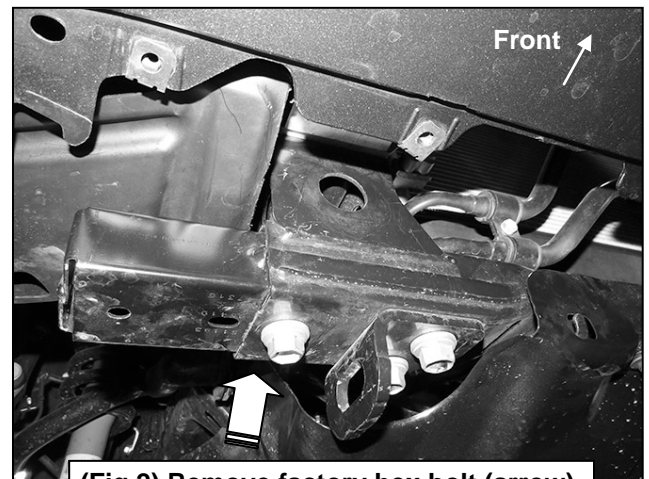


**(Fig 1)** Remove air dam from bottom of bumper

10mm Bolt Plate  
10mm Plastic Retainer



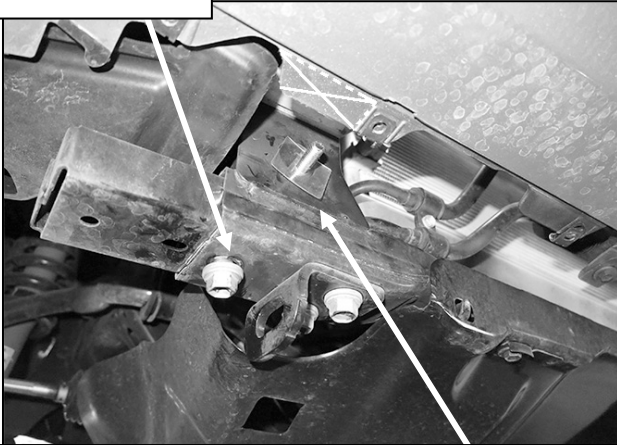
**Fig 3**



**(Fig 2)** Remove factory hex bolt (arrow)

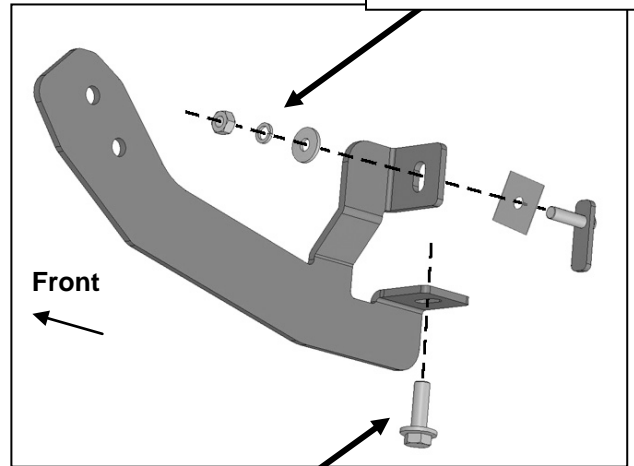
Passenger Side Installation Pictured

Remove hex bolt



(Fig 4) Insert Bolt plate into factory hole in end of frame. Tighten Retainer to hold Bolt Plate in place

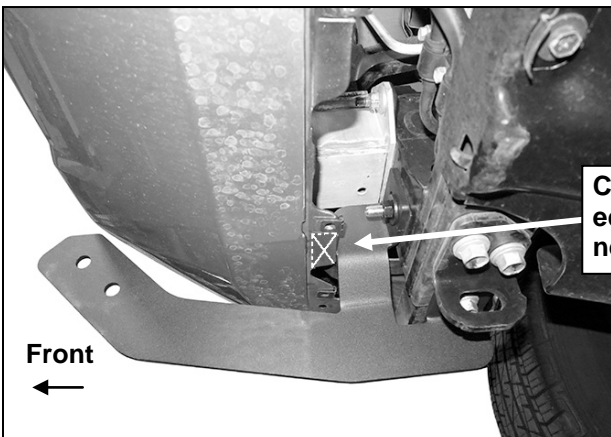
10mm Flat Washer  
10mm Lock Washer  
10mm Hex Nut



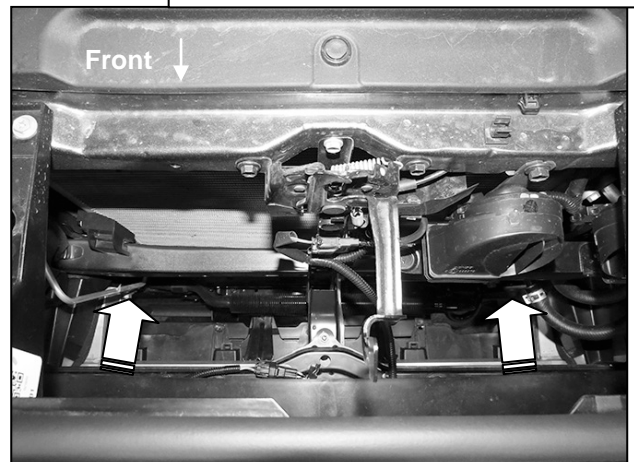
(Fig 5) Reuse factory hex bolt to attach Frame Bracket to bottom of cross-member

Cut small section from edge of bumper as needed to clear Bracket

Locate the outer holes in the bottom of the radiator cross support (arrow) viewed from below



(Fig 6) Passenger/right Frame Bracket installed



(Fig 7) Open hood and remove plastic cover to locate cross-support in front of radiator (arrows)

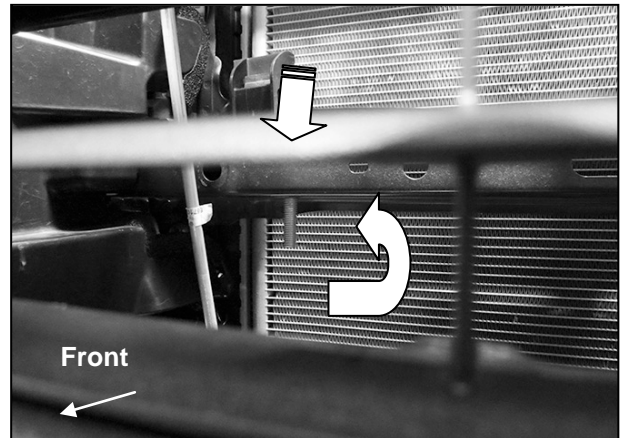


(Fig 8) Plastic bumper removed for instruction purposes only-do not remove bumper

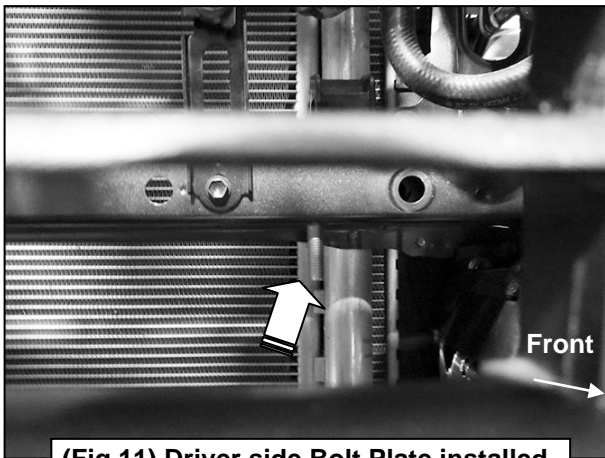
Passenger Side Installation Pictured



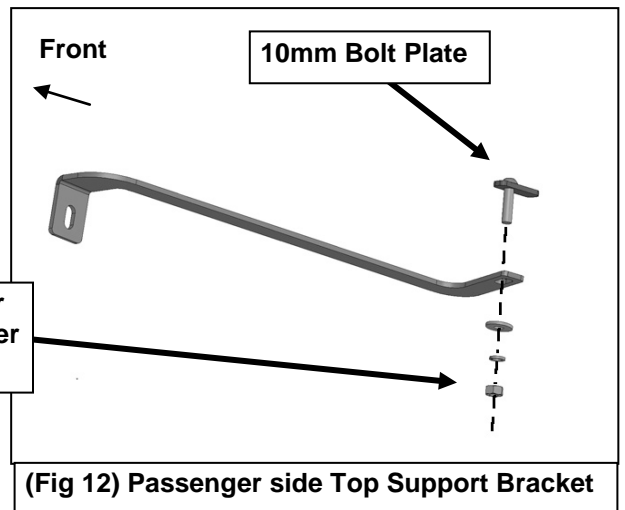
(Fig 9) Passenger side pictured with grille removed for instruction purposes only



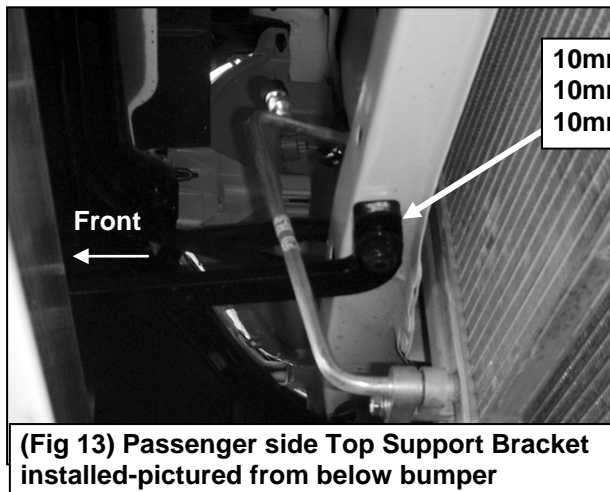
(Fig 10) Insert Bolt plate (arrow) into back of radiator cross support and down through hole in bottom (passenger side pictured through bumper)



(Fig 11) Driver side Bolt Plate installed



(Fig 12) Passenger side Top Support Bracket

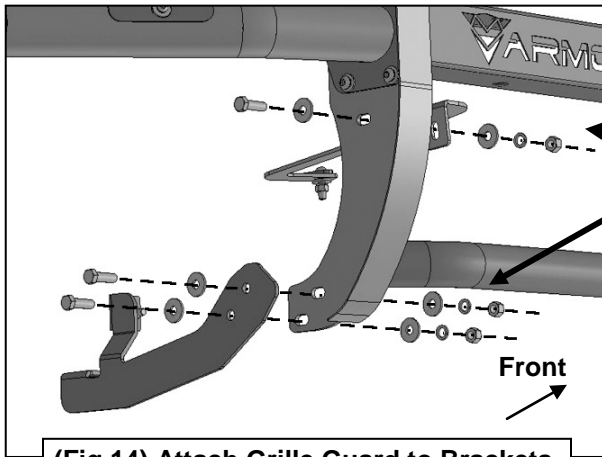


10mm Flat Washer  
10mm Lock Washer  
10mm Hex Nut

(Fig 13) Passenger side Top Support Bracket installed-pictured from below bumper

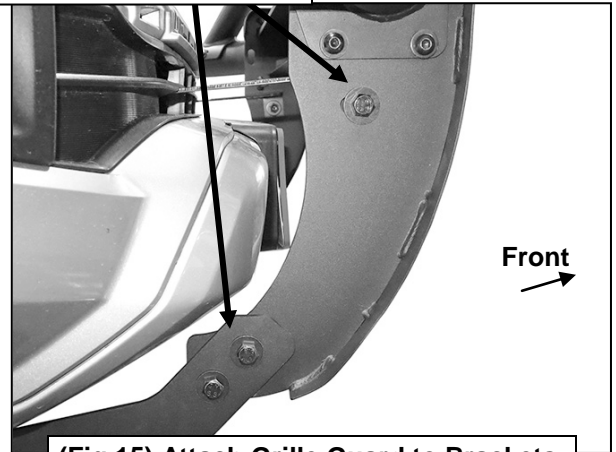


Passenger Side Installation Pictured

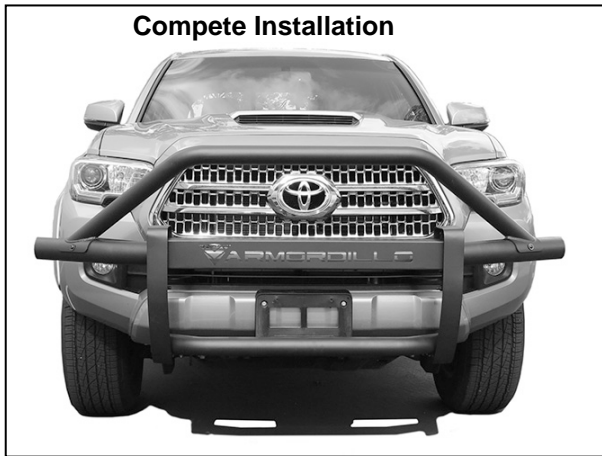


(Fig 14) Attach Grille Guard to Brackets

- (3) 12mm x 40mm Hex Bolts
- (6) 12mm Flat Washers
- (3) 12mm Lock Washers
- (3) 12mm Hex Nuts



(Fig 15) Attach Grille Guard to Brackets



Complete Installation



(Fig 16) Use removable tape (masking tape) or a marker to mark location of Frame Brackets onto back of air dam (arrows). Carefully cut small openings with a sharp knife or hacksaw blade. Guide marks pictured for example only. Check location and measurements of all guide markings before cutting.