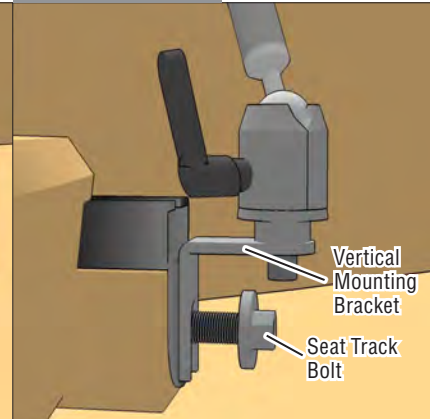
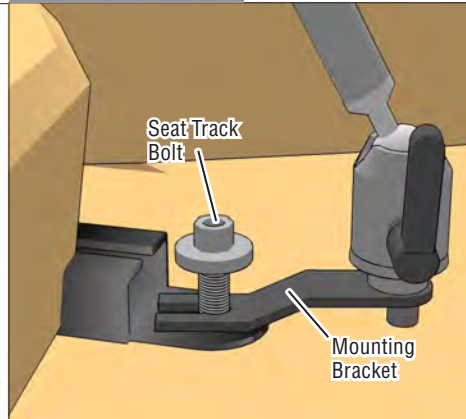
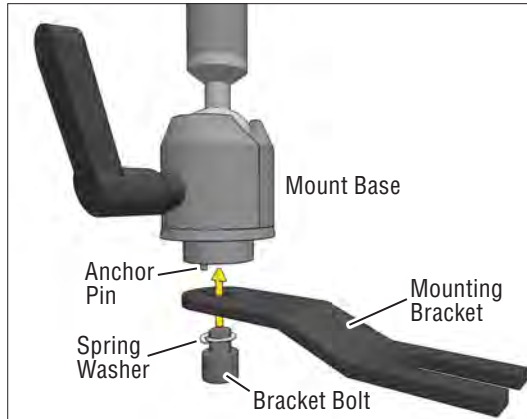


- 1 Attach the appropriate mounting bracket to the mount using included bracket bolt and hex key. Align anchor pin to hole on bracket and position spring washer between the bolt and bracket as shown.

Loosen the passenger seat track bolt with a socket wrench and insert the mounting bracket between the bolt and the seat track; firmly retighten the seat track bolt.

Horizontal Bolt Install

Vertical Bolt Install



Package Contents:



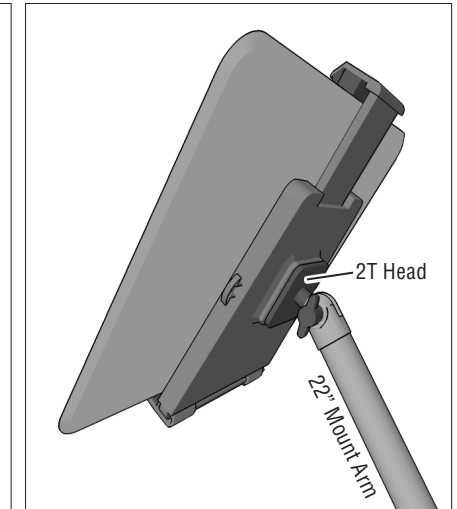
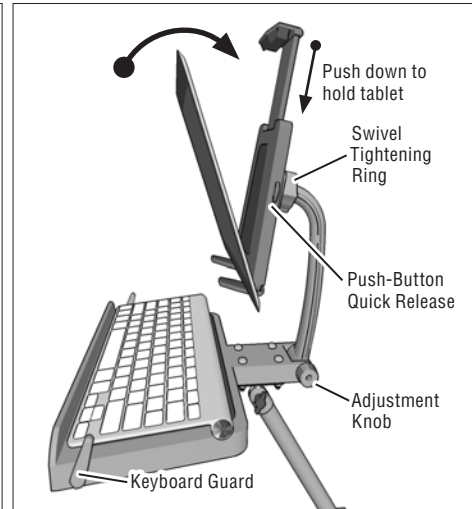
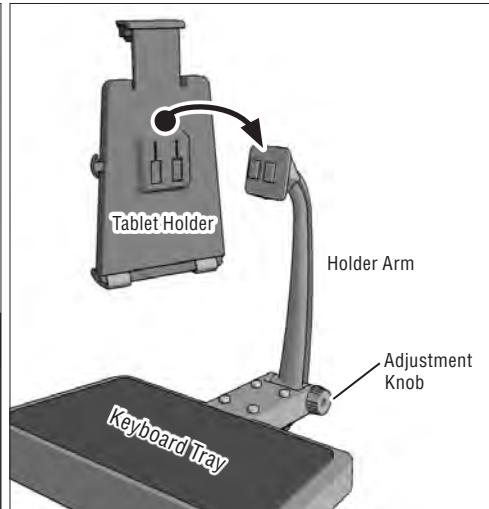
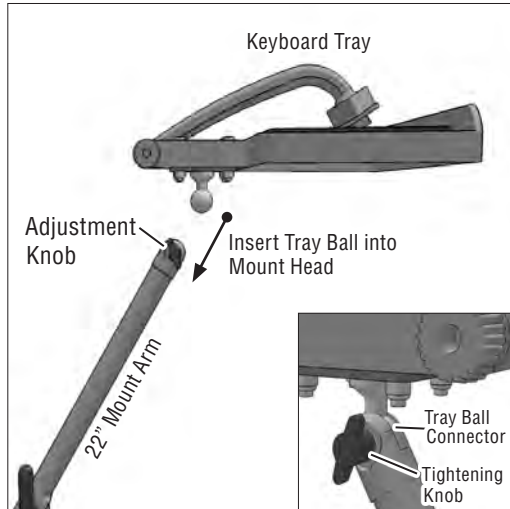
TCMHD001
22" Heavy-Duty Car Mount
with Tablet Holder and
Keyboard Combo Mount

- 2 Remove 2T head from mount arm & attach keyboard tray; tighten adjustment knob.

- 3 Attach tablet holder to the holder arm on the keyboard tray.

- 4 Insert tablet into holder and place keyboard on the tray.

Optional: Holder can be used with 2T head on mount base to use tablet alone.



Safety Precautions

Do not install Arkon products over an airbag cover or within the airbag deployment zone. Arkon Resources, Inc. assumes no responsibility of liability for injury or death as a result of car crashes and / or airbag deployment.

Arkon is not responsible for any damages caused to your vehicle, furniture, device, or yourself due to the installation or use of this product.