

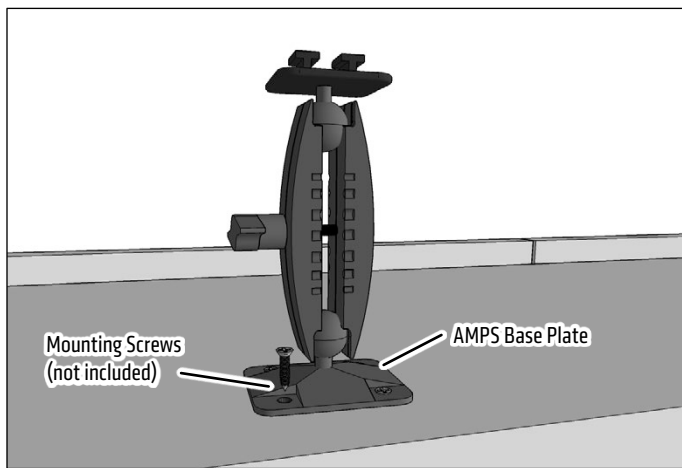


Package Contents:

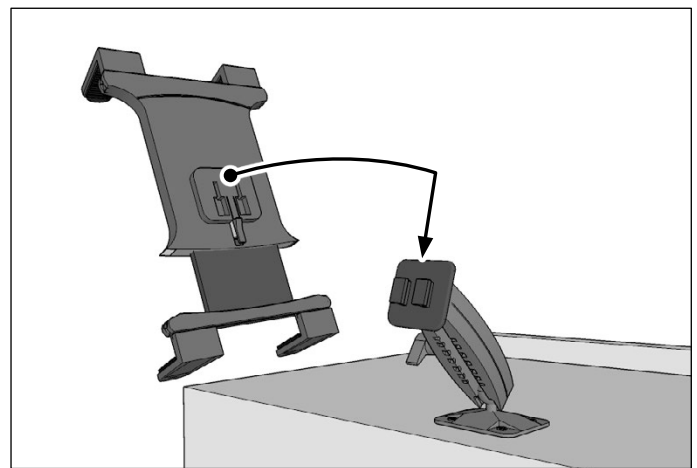
- (1) TAB001 - Slim-Grip® Universal Tablet Holder
- (1) SP-RM200 - Robust Mount Shaft
- (1) APRM2T - 25mm Ball to Dual-T Adapter
- (1) APMAMPS25MM - Metal 4-Hole AMPS to 25mm Ball Adapter

IMPORTANT: The Slim-Grip Universal Tablet Holder fits all tablets with 8.9" - 18.4" screen size. It includes 4 short, 2 medium, and 4 long support legs. Select a combination of 4 support legs in conjunction for use with the spring-loaded holder to achieve the perfect fit for your tablet.

- 1** Attach the pedestal to the mounting surface through the AMPS base plate. Choose the screws (not included) that will work best on the chosen mounting surface.



- 2** Attach Slim-Grip tablet holder by sliding the Dual T-Tabs on the pedestal head into the Dual T-Slots of the holder.



- 3** Insert tablet by placing it on the two lower legs and pushing down on the spring-loaded bottom of the holder. Loosen adjustment knob to adjust rotation, position, or angle. Retighten to set.

